



REVE MANICURE TABLE

SKU:483-42

Stunning and state-of-the-art, the Reve Collection is designed to add a touch of elegance and sophistication.

The Reve Manicure Table features sleek lines, clean simple box construction with no visible hardware, making this unit perfect for any salon or spa.

TECHNICAL INFORMATION

- Measures: 42"W x 16"D x 30"H x 36"H
- 1 Full extension drawer
- Storage cabinet w/ adjustable shelf
- Locking casters
- Padder rest
- Lamp
- Sleek, no visible hardware
- Optional: 10633 Valentino powered vent w/ charcoal filter

SHIPPING INFORMATION

Item generally ships via Freight(Truck) service

- Weight: 158 lbs
- Dimensions: 48"L x 32"W x 49"H

WARRANTY

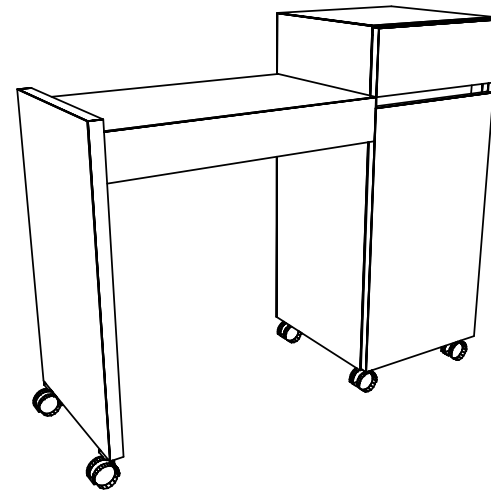
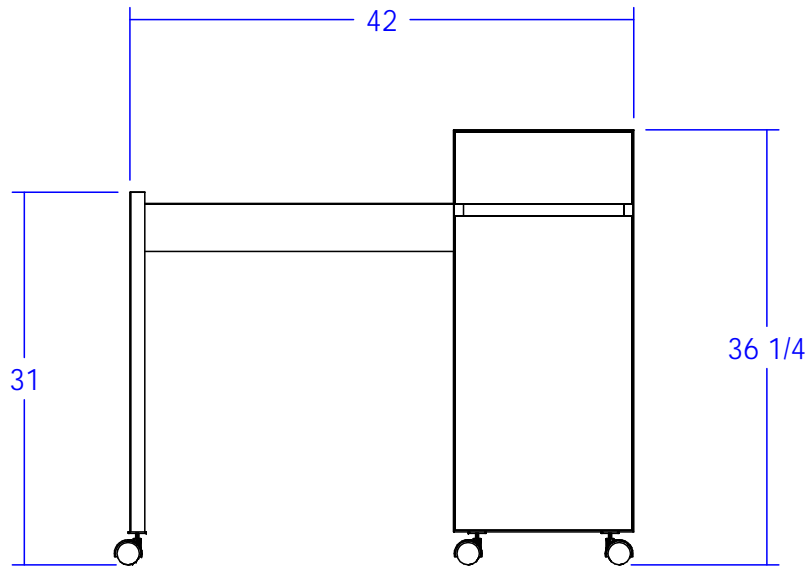
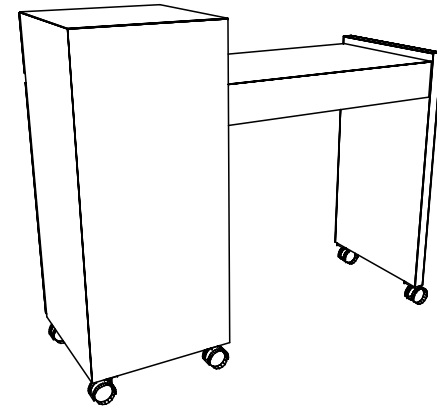
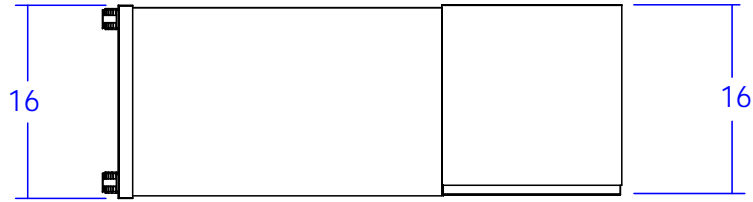
3 Years:

- Ball-Bearing Drawer Slides
- Cabinet hinges

1 Year:

- All remaining components, unless noted otherwise, are guaranteed for a period of one year from the date of purchase.






Finish Schedule - 483-42-1

Face Color - Cafelle
 Top Color - Cafelle
 Toe Color - Twinwheel Casters
 Reveal / Accent Color - Satin Stainless
 Hardware - N/A
 Interior - Black Melamine
 Other (Specify) -

Includes adjustable lamp & padded upholstered rest, not shown here.

| | | | |
|---|--------------------------|--|--|
|  | | Collins Manufacturing | |
| | | 2000 Bowser Road Cookeville, TN 38506 | |
| Title: 483-42 Reve Nail Table | | | |
| Size: NTS | Drawing Number: 76302 | Drawn By: Ben | |
| Date: | | Sheet | |