



NEO MANICURE TABLE I

SKU:4420-48

The Neo Manicure Table I is a classic manicure table featuring a unique inlay detail at the top of the table and an impressive toe-kick at the bottom. The Neo Manicure Table fits beautifully into any salon or spa.

TECHNICAL INFORMATION

- Measures: 48"W x 20"D x 30"H
- 3 Full extension drawers
- 4" Wide leg
- 26" Wide chair well
- Padder rest
- Lamp
- Neo bar pulls
- Order 4420-14 nail polish display separately
- Optional: 10633 Valentino powered vent w/ charcoal filter
- Optional: 11715 cast-aluminum tapered legs

SHIPPING INFORMATION

Item generally ships via Freight(Truck) service

- Weight: 197 lbs
- Dimensions: 54"L x 32"W x 38"H

WARRANTY

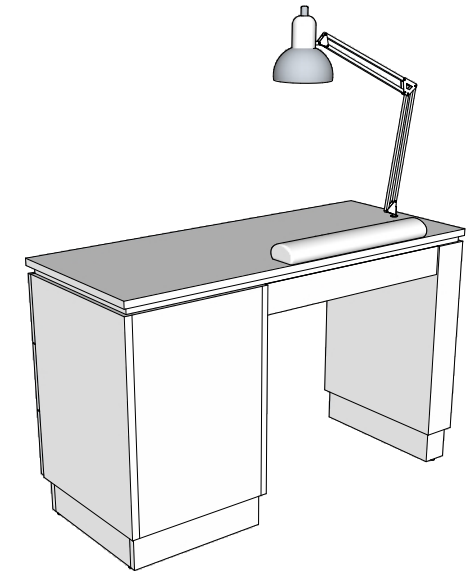
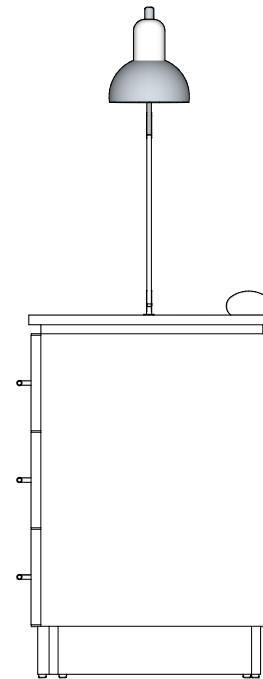
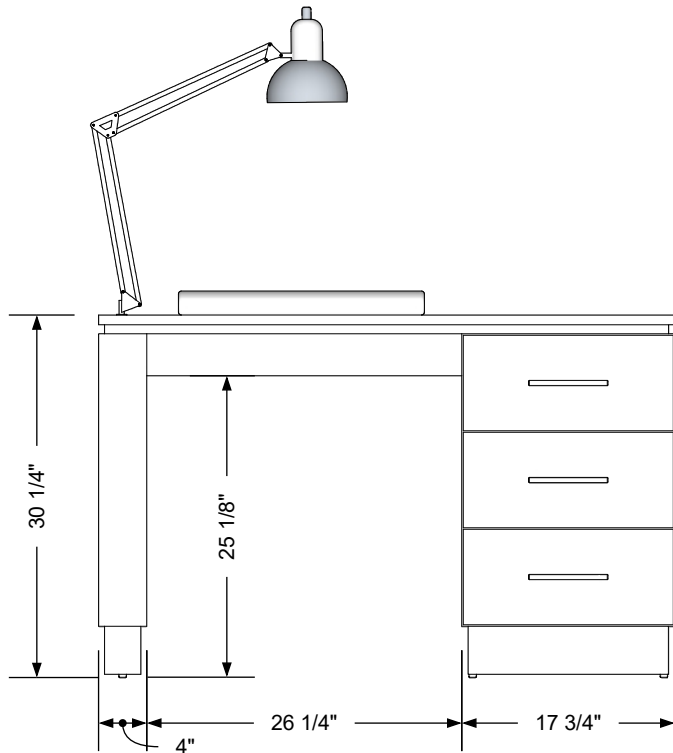
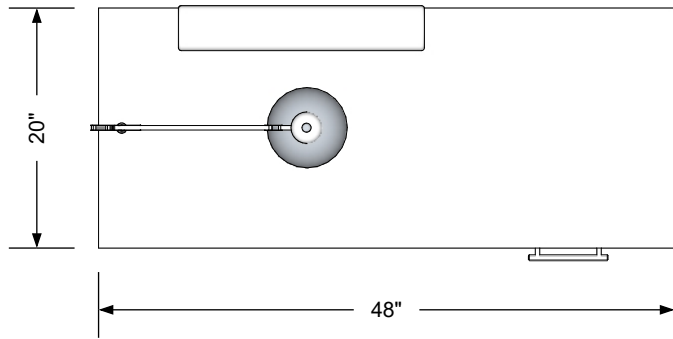
3 Years:

- Ball-Bearing Drawer Slides
- Cabinet hinges

1 Year:

- All remaining components, unless noted otherwise, are guaranteed for a period of one year from the date of purchase.





Additional Information

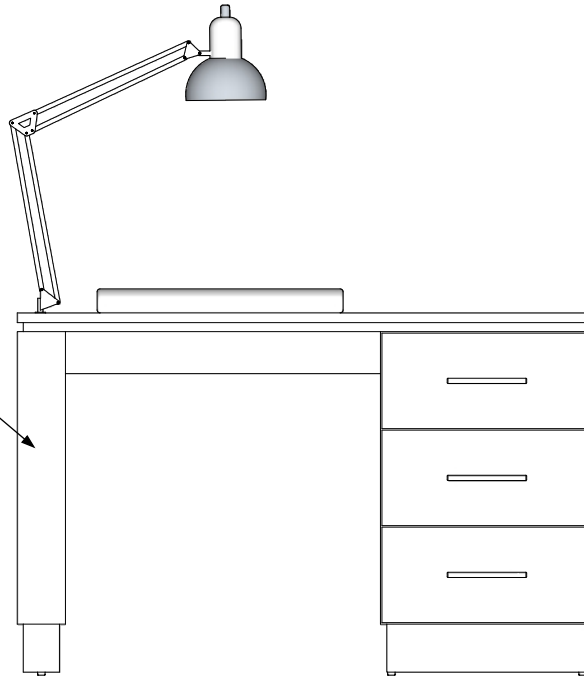
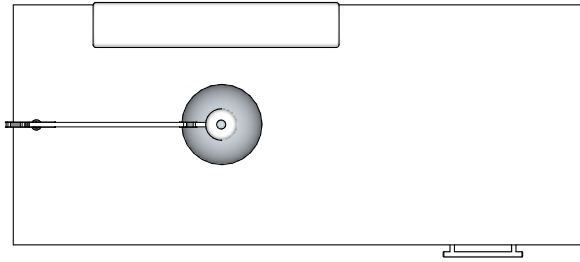
Assembly required - no
 Electrical required - yes
 Plumbing required - no
 Wall blocking required - no
 COM yardage/laminate usage - 48 sf
 Other (specify) - n/a
 Other (specify) - n/a

Specification Drawing

This **Specification Drawing** is intended for communicating the basic description, function, appearance, dimensions, features, and installation of an item as manufactured by Collins Manufacturing Company. Because this drawing does not contain project specific information such as quantities, finishes, or options, it is not an approval drawing and does not require a signature. This drawing remains the property of Collins Manufacturing Company and must not be used against the interests of Collins Manufacturing Company.

Product Information

		Collins Manufacturing 2000 Bowser Road Cookeville, TN 38506	
Name: Neo Manicure Table 1			
Size: NTS	Part Number: 4420-48	Drawn By: Eng	
Prepared Date: 5/22/20	Revision Date: Date	Revision Number: Rev #	Sheet: 1 of 2



There is no power strip or outlet included with this unit. Electrician to provide, install, and wire a 15 amp outlet installed in the wall or floor within reach of the lamp's 59" long cord.

Electrical stub out detail

Additional Information

Assembly required - no
 Electrical required - yes
 Plumbing required - no
 Wall blocking required - no
 COM yardage/laminate usage - 48 sf
 Other (specify) - n/a
 Other (specify) - n/a

Specification Drawing

This **Specification Drawing** is intended for communicating the basic description, function, appearance, dimensions, features, and installation of an item as manufactured by Collins Manufacturing Company. Because this drawing does not contain project specific information such as quantities, finishes, or options, it is not an approval drawing and does not require a signature. This drawing remains the property of Collins Manufacturing Company and must not be used against the interests of Collins Manufacturing Company.

Product Information

		Collins Manufacturing 2000 Bowser Road Cookeville, TN 38506	
Name: Neo Manicure Table 1			
Size: NTS	Part Number: 4420-48	Drawn By: Eng	
Prepared Date: 5/22/20	Revision Date: Date	Revision Number: Rev #	Sheet: 2 of 2