



REVE STANDING RECEPTION DESK

SKU:491-60

Stunning and state-of-the-art, the Reve Collection is designed to add a touch of elegance and sophistication.

Made as a Standing Reception Desk, the Reve Desk features multiple storage options, sleek lines, clean simple box construction with no visible hardware, making this unit perfect for any salon or spa.

TECHNICAL INFORMATION

- Measures: 60"W x 23"D x 43"H
- 2 Full extension drawers
- 2 Storage cabinets w/ shelves
- 30" Wide customer ledge
- Under-ledge cubbies
- Large center cabinet w/ storage
- Opening for electronic cash drawer
- Wire grommets

SHIPPING INFORMATION

Item generally ships via Freight(Truck) service

- Weight: 381 lbs
- Dimensions: 66"L x 32"W x 51"H

WARRANTY

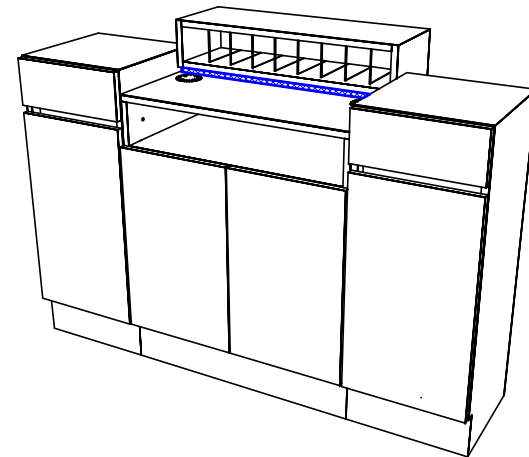
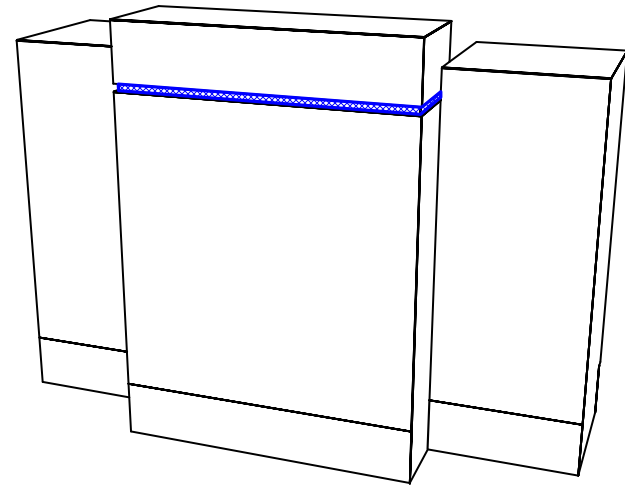
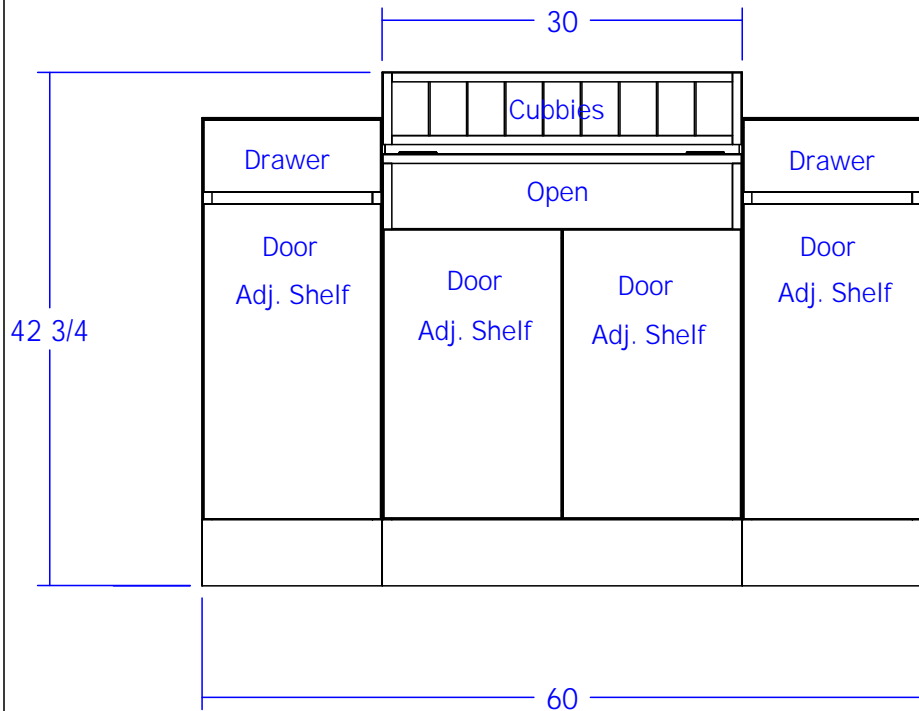
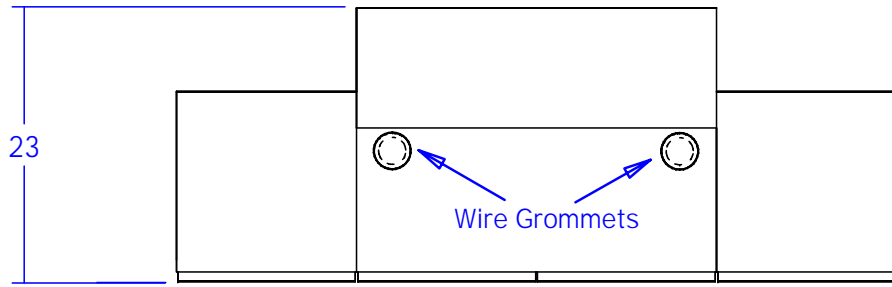
3 Years:

- Ball-Bearing Drawer Slides
- Cabinet hinges

1 Year:

- All remaining components, unless noted otherwise, are guaranteed for a period of one year from the date of purchase.





Finish Schedule - 491-60-1

Face Color -
 Top Color -
 Toe Color -
 Reveal / Accent Color -
 Hardware - N/A
 Interior -
 Other (Specify) -

**Preliminary
 Not For Construction**

This drawing is the property of Collins Manufacturing Company and is protected under copyright law.

collins		Collins Manufacturing 2000 Bowser Road Cookeville, TN 38506	
Title: 491 Reve Standing Desk			
Size:	Drawing Number: 7	B	Drawn By:
Date:	Sheet		