



REVE SITTING RECEPTION DESK

SKU:492-60

Stunning and state-of-the-art, the Reve Collection is designed to add a touch of elegance and sophistication.

Made for as a Sitting Reception Desk, the Reve Desk features multiple storage options, sleek lines, clean simple box construction with no visible hardware, making this unit perfect for any salon or spa.

TECHNICAL INFORMATION

- Measures: 60"W x 23"D x 43"H
- 2 Full extension drawers
- 2 Storage cabinets w/ shelves
- 30" Wide customer ledge
- 30" High work surface w/ pull out keyboard tray
- Computer ledge in chair well
- Wire grommets
- Sleek, no visible hardware

SHIPPING INFORMATION

Item generally ships via Freight(Truck) service

- Weight: 350 lbs
- Dimensions: 66"L x 32"W x 52"H

WARRANTY

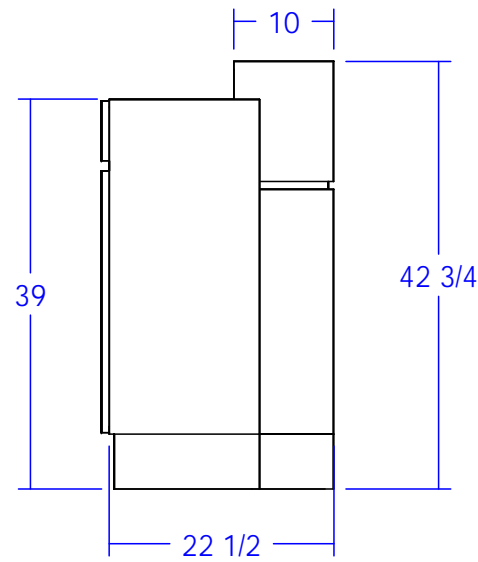
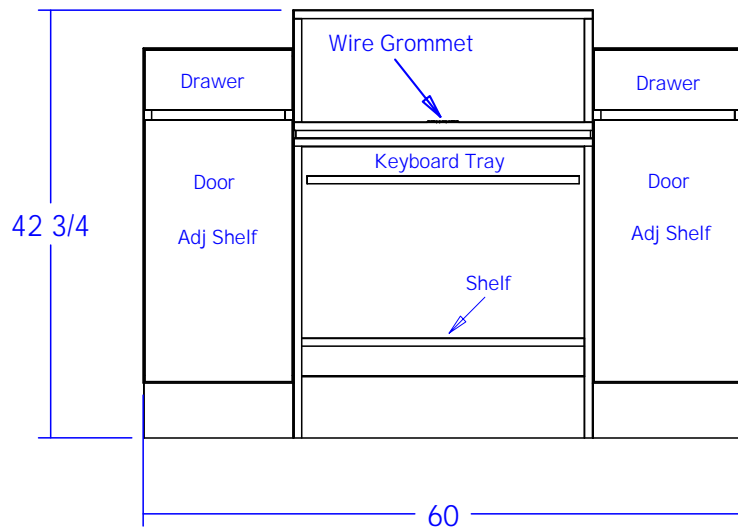
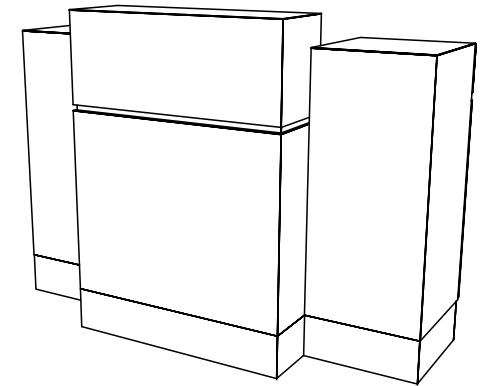
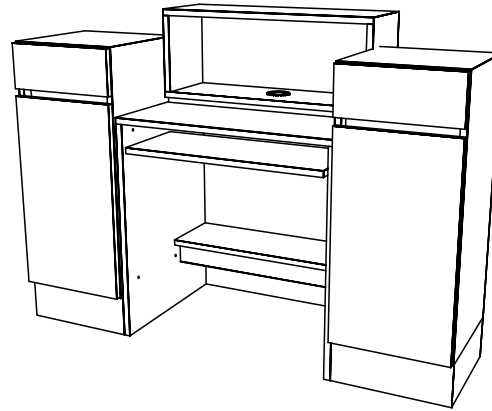
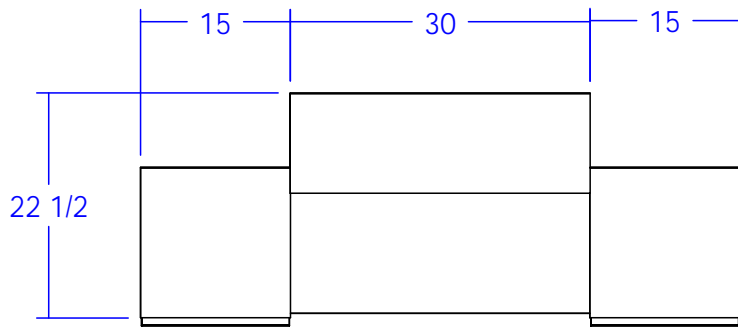
3 Years:

- Ball-Bearing Drawer Slides
- Cabinet hinges

1 Year:

- All remaining components, unless noted otherwise, are guaranteed for a period of one year from the date of purchase.





Quantity -

Finish Schedule -

Face Color -
 Top Color -
 Toe Color -
 Reveal / Accent Color -
 Hardware -
 Interior -
 Other (Specify) -

This drawing is the property of Collins Manufacturing Company and is protected under copyright law.

collins		Collins Manufacturing 2000 Bowser Road Cookeville, TN 38506
Title:		
Size: NTS	Drawing Number: Reve	Drawn By:
Date: 12/04/08	Sheet 1 of 1	