



REVE WAITING BENCH

SKU:497-44



Conceal clutter while adding a multi-person seating option with this Reveal Waiting/Storage Bench. The padded seat with squared corners are designed in the same classic Reveal Collection style with clean lines.

The seat cushion can be easily removed to store retail or salon products beneath the seat. And the over-sized toe-kick can be customized for a unique look.

TECHNICAL INFORMATION

- Measures: 44"W x 22"D x 19"H
- Finished on all sides
- Upholstered cushion top
- Removable seat cushion reveals hidden storage

SHIPPING INFORMATION

Item generally ships via Freight(Truck) service

- Weight: 140 lbs
- Dimensions: 48"L x 32"W x 28"H

WARRANTY

7.5 Years:

- Models 3500, 4500, 5550 Foot Operated Hydraulic Pumps

5 years:

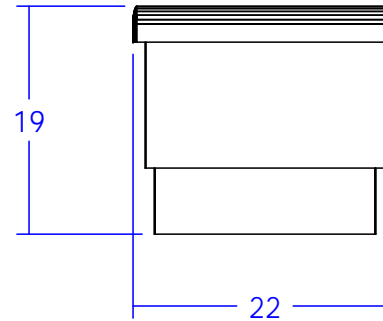
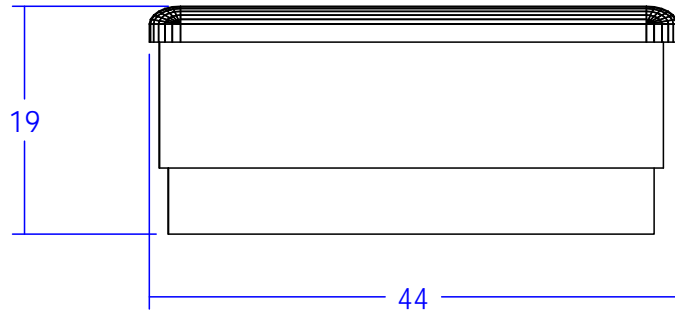
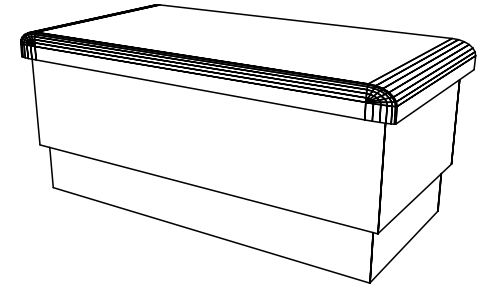
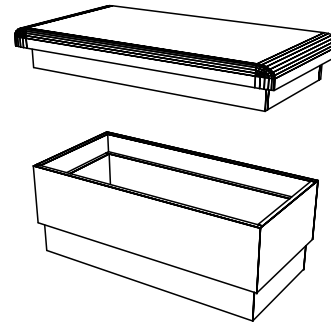
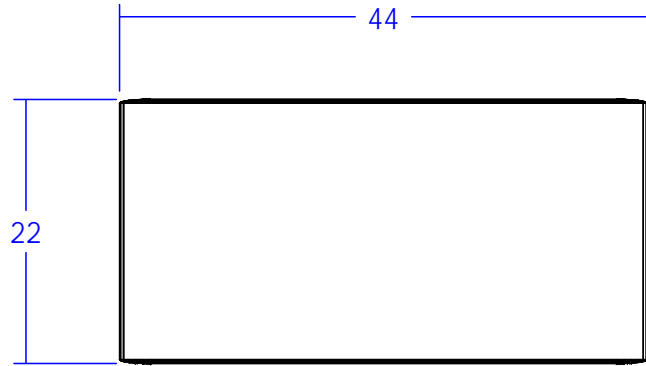
- Collins Comfort Zone anti-fatigue mats
- Collins all purpose and shampoo chair back reclining mechanisms
- Models 3250, 4250, 5250 Foot Operated Hydraulic Pumps

3 Years:

- BKB Electric Base

1 year:

- All remaining components, unless otherwise noted




Quantity -

Finish Schedule -

Face Color -
 Top Color -
 Toe Color -
 Reveal / Accent Color -
 Hardware -
 Interior -
 Other (Specify) -

This drawing is the property of Collins Manufacturing Company and is protected under copyright law.

 Collins Manufacturing 2000 Bowser Road Cookeville, TN 38506		
Title: Reve		
Size: NTS	Drawing Number: Reve	Drawn By:
Date: 12/11/08	Sheet 1 of 1	