



REVE WAITING TABLE

SKU:498-20

Store your essentials stylishly with the Reve Waiting Area Table. Featuring a finished look on all sides, this contemporary table blends well in any space and is designed in the same classic Reve Collection style.

The tilting door provides useful hidden storage and the over-sized toe-kick can be customized for a unique look.

TECHNICAL INFORMATION

- Measures: 20"W x 20"D x 20"H
- Complements all Reve cabinetry
- Finished on all sides
- Tilting door to provide useful storage
- Sleek, no visible hardware design

SHIPPING INFORMATION

Item generally ships via Freight(Truck) service

- Weight: 75 lbs
- Dimensions: 32"L x 30"W x 30"H

WARRANTY

7.5 Years:

- Models 3500, 4500, 5550 Foot Operated Hydraulic Pumps

5 years:

- Collins Comfort Zone anti-fatigue mats
- Collins all purpose and shampoo chair back reclining mechanisms
- Models 3250, 4250, 5250 Foot Operated Hydraulic Pumps

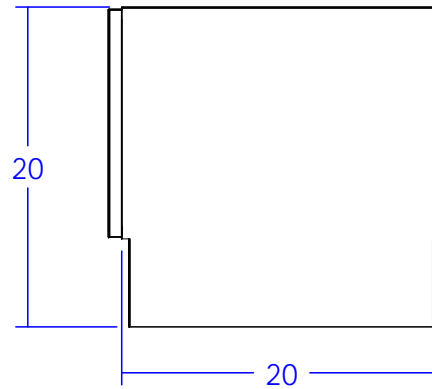
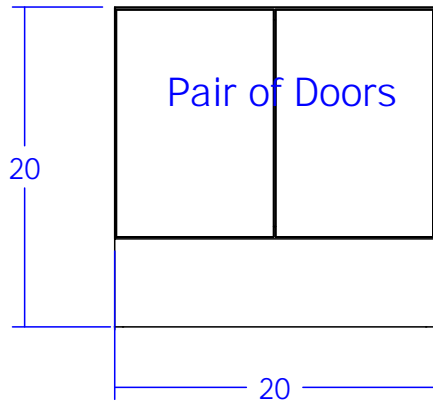
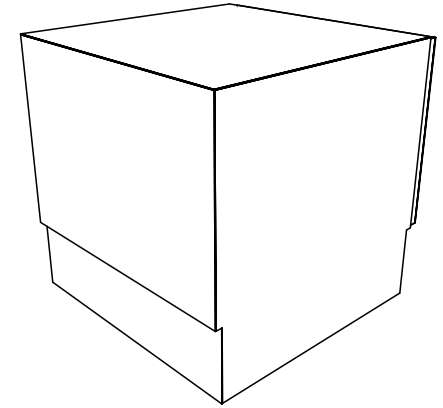
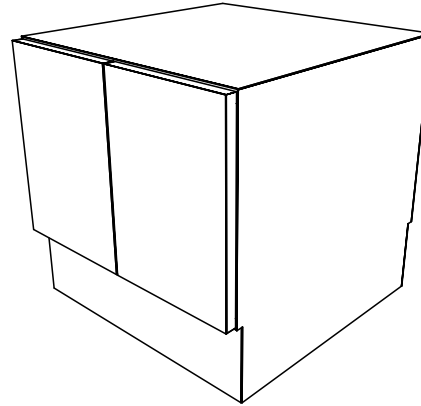
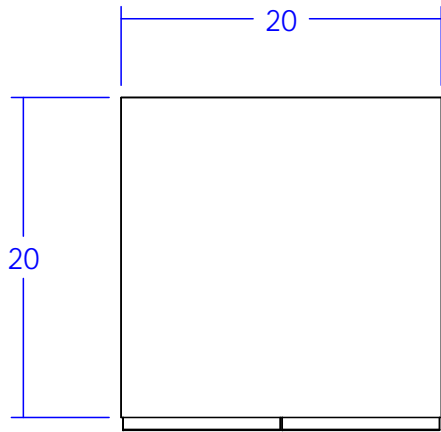
3 Years:

- BKB Electric Base

1 year:

- All remaining components, unless otherwise noted






Quantity -

Finish Schedule -

Face Color -
 Top Color -
 Toe Color -
 Reveal / Accent Color -
 Hardware -
 Interior -
 Other (Specify) -

This drawing is the property of Collins Manufacturing Company and is protected under copyright law.

 Collins Manufacturing 2000 Bowser Road Cookeville, TN 38506		
Title: Reve		
Size: NTS	Drawing Number: Reve	Drawn By:
Date: 12/11/08	Sheet 1 of 1	