



QSE BARBER STATION

SKU:5501-66

The traditionally designed QSE Barber Station is a great match for any barbershop. It features a top built-in tool holder, storage cabinets and drawers to hold everything you need for a successful day at work.

By selecting our Quick Ship laminate options, this station can ship out to you sooner.

TECHNICAL INFORMATION

- Measures: 66"W x 15"D x 39"H x 75"H
- 2 Full extension drawers
- 2 storage cabinets w/ adjustable shelves
- 2 plumbing access doors
- Tool panel
 - Blow dryer
 - 2 Clippers
- Quad outlet
- CB19 bowl, fixtures, & vacuum breaker
- 36" x 66" mirror

SHIPPING INFORMATION

Item generally ships via Freight(Truck) service

- Weight: 355 lbs
- Dimensions: 72"L x 32"W x 48"H

WARRANTY

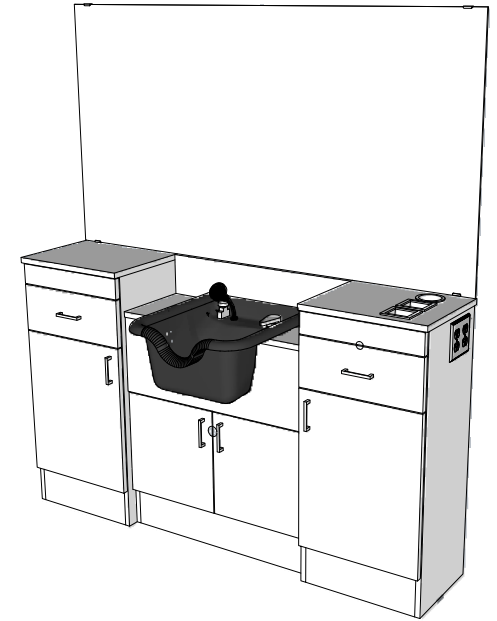
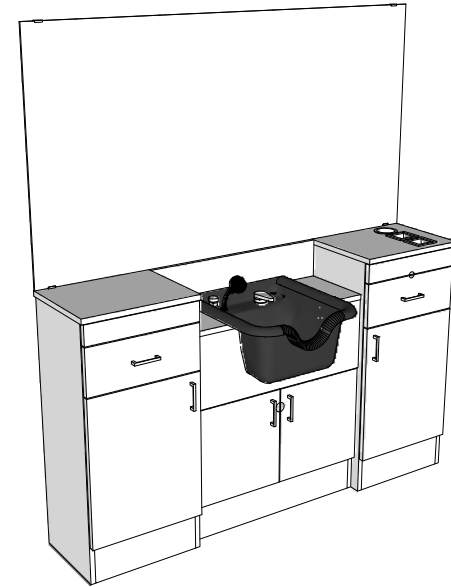
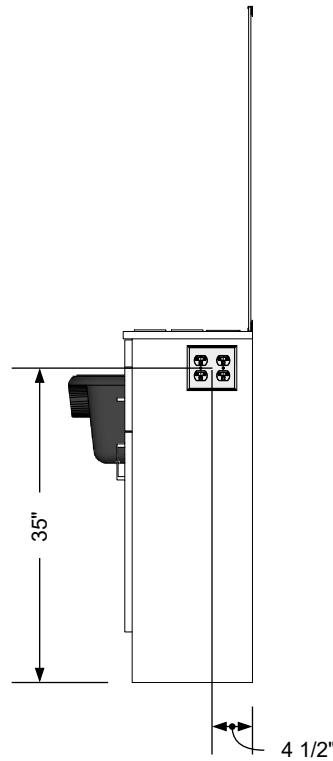
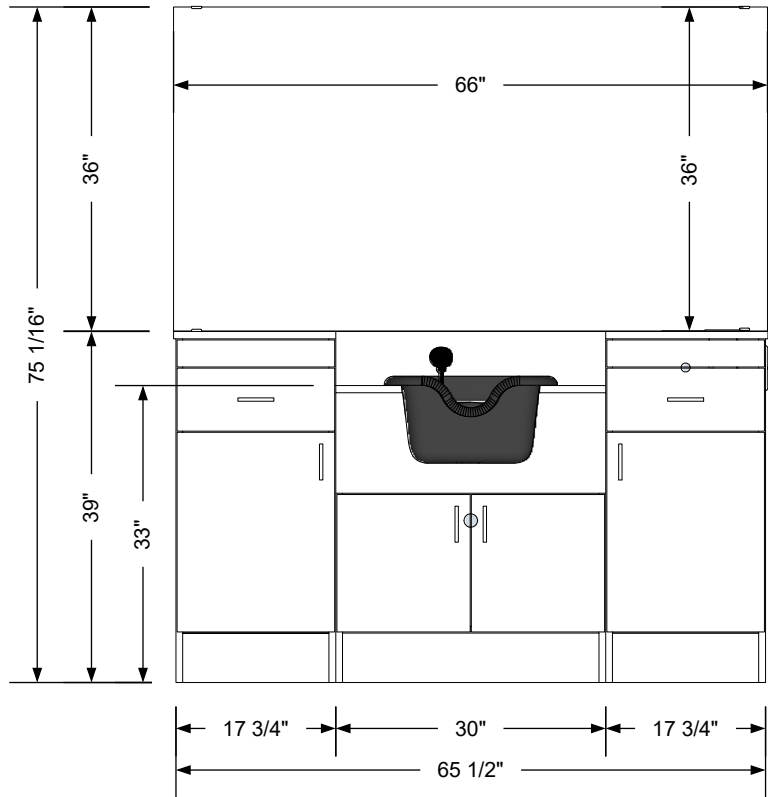
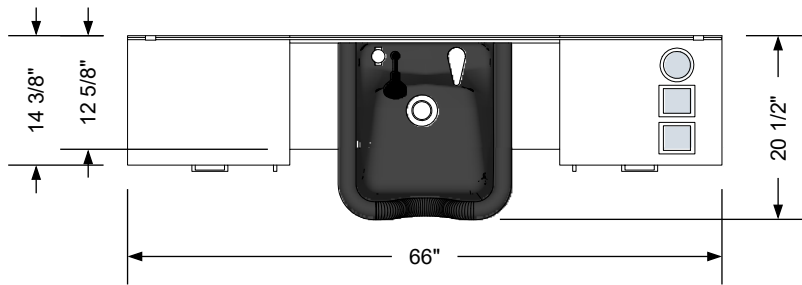
3 Years:

- Ball-Bearing Drawer Slides
- Cabinet hinges

1 Year:

- All remaining components, unless noted otherwise, are guaranteed for a period of one year from the date of purchase.






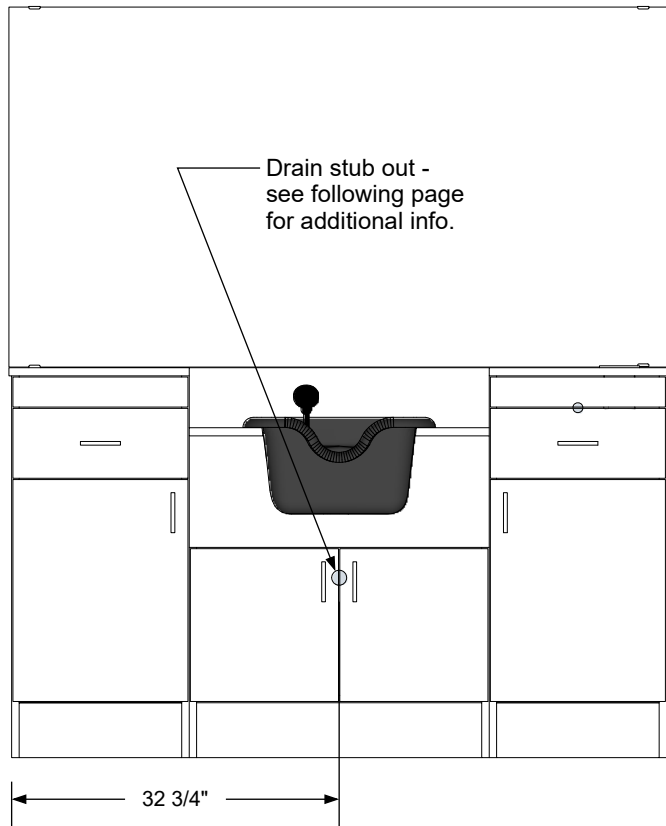
Additional Information

Assembly required - yes
 Electrical required - yes
 Plumbing required - yes
 Wall blocking required - no
 COM yardage/laminate usage - 49 sf
 5 1/2"h laminated toe + 1/4"h glides
 Other (specify) - n/a
 Other (specify) - n/a

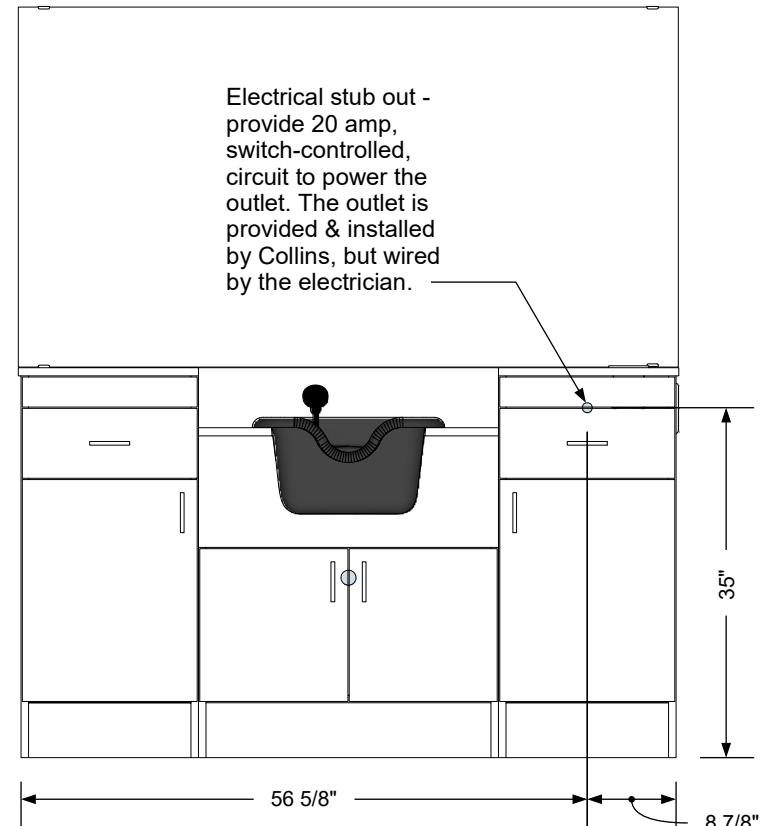
Specification Drawing

This **Specification Drawing** is intended for communicating the basic description, function, appearance, dimensions, features, and installation of an item as manufactured by Collins Manufacturing Company. Because this drawing does not contain project specific information such as quantities, finishes, or options, it is not an approval drawing and does not require a signature. This drawing remains the property of Collins Manufacturing Company and must not be used against the interests of Collins Manufacturing Company.

		Collins Manufacturing 2000 Bowser Road Cookeville, TN 38506	
		Title: QSE Barber Station	
Size: NTS	Part Number: 5501-66	Drawn By: Eng	
Prepared Date: 4/29/21	Revision Date: Date	Revision Number: Rev #	Sheet: 1 of 3



Plumbing stub out




Electrical stub out detail

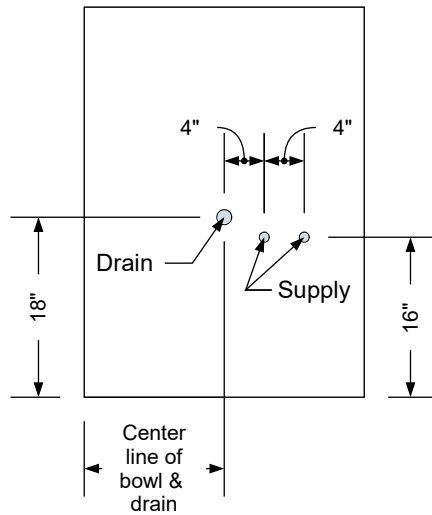
Additional Information

Assembly required - yes
 Electrical required - yes
 Plumbing required - yes
 Wall blocking required - no
 COM yardage/laminate usage - 49 sf
 5 1/2"h laminated toe + 1/4"h glides
 Other (specify) - n/a
 Other (specify) - n/a

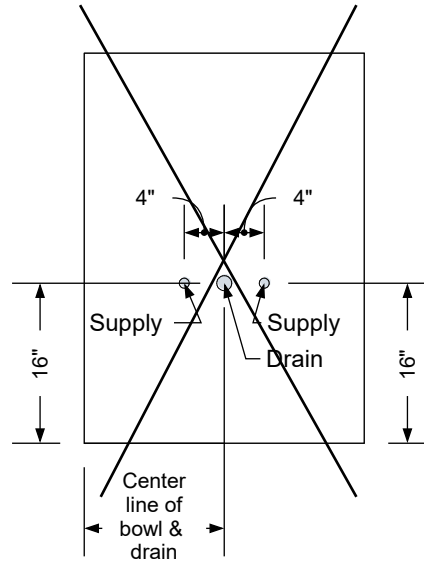
Specification Drawing

This **Specification Drawing** is intended for communicating the basic description, function, appearance, dimensions, features, and installation of an item as manufactured by Collins Manufacturing Company. Because this drawing does not contain project specific information such as quantities, finishes, or options, it is not an approval drawing and does not require a signature. This drawing remains the property of Collins Manufacturing Company and must not be used against the interests of Collins Manufacturing Company.

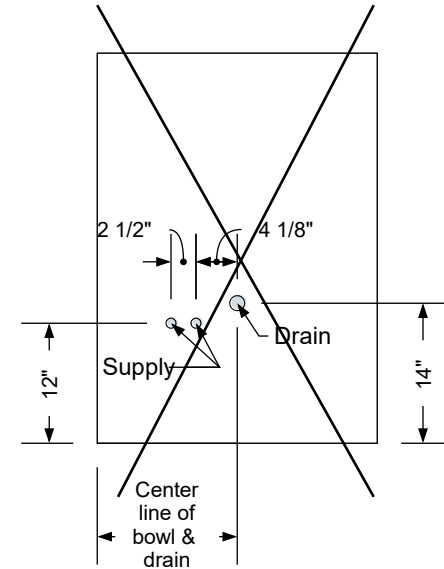
		Collins Manufacturing 2000 Bowser Road Cookeville, TN 38506	
		Title: QSE Barber Station	
Size: NTS	Part Number: 5501-66	Drawn By: Eng	
Prepared Date: 4/29/21	Revision Date: Date	Revision Number: Rev #	Sheet: 2 of 3



Standard Shampoo Bowl



T100 w/ Tilting Shampoo Bowl
**Note: Lift Lid Must Be Reduced
 In Size To Use This Option.**



K100 Adjust-A-Sink Shampoo Bowl
**Note: Lift Lid Must Be Reduced
 In Size To Use This Option.**

Typical Collins Shampoo Bowl Options

Additional Information

Assembly required - yes
 Electrical required - yes
 Plumbing required - yes
 Wall blocking required - no
 COM yardage/laminate usage - 49 sf
 5 1/2"h laminated toe + 1/4"h glides
 Other (specify) - n/a
 Other (specify) - n/a

Specification Drawing

This **Specification Drawing** is intended for communicating the basic description, function, appearance, dimensions, features, and installation of an item as manufactured by Collins Manufacturing Company. Because this drawing does not contain project specific information such as quantities, finishes, or options, it is not an approval drawing and does not require a signature. This drawing remains the property of Collins Manufacturing Company and must not be used against the interests of Collins Manufacturing Company.

		Collins Manufacturing 2000 Bowser Road Cookeville, TN 38506	
Title: QSE Barber Station			
Size: NTS	Part Number: 5501-66	Drawn By: Eng	
Prepared Date: 4/29/21	Revision Date: Date	Revision Number: Rev #	Sheet: 3 of 3