



REVE TOWER STYLING ISLAND

SKU:471-63

Elevate the way you style in your salon with the Reve Tower Styling Island.

The sleek design shows no visible hardware, only clean lines on this modern styling island made for two back-to-back stylists. Featuring both upper and lower storage, keeping all your supplies and tools in one place.

TECHNICAL INFORMATION

- Measures: 63"W x 29"D x 81"H
- 1 Full extension drawers
- Upper storage cabinet w/ adjustable shelves
- Cabinet w/ adjustable shelf
- 30" x 48" mirror
- Ledge
 - Blow dryer
 - Flat-iron
 - 1" Curling iron
 - 2" Curling iron
- Quad electrical outlet for each stylist, wired on-site by electrician

SHIPPING INFORMATION

Item generally ships via Freight(Truck) service

- Weight: 570 lbs
- Dimensions: 3 skids

WARRANTY

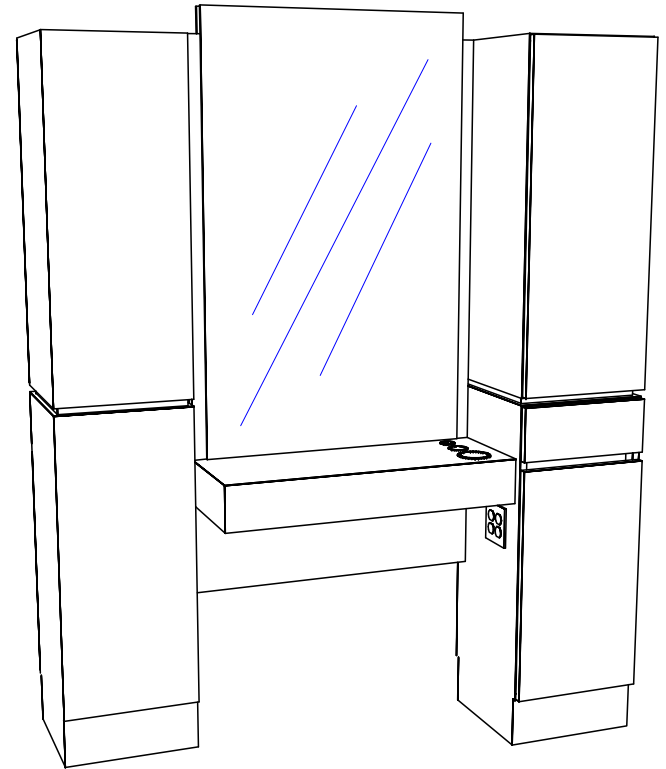
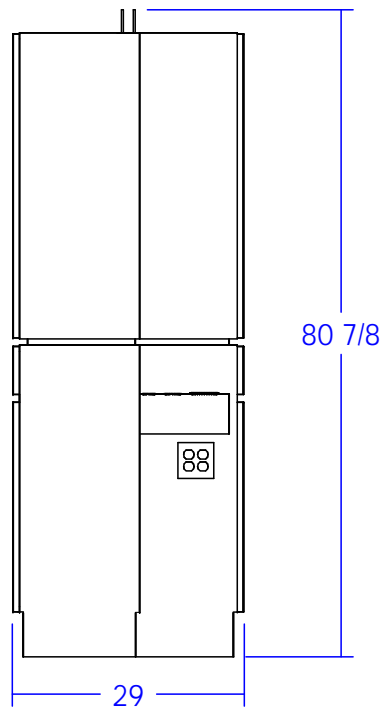
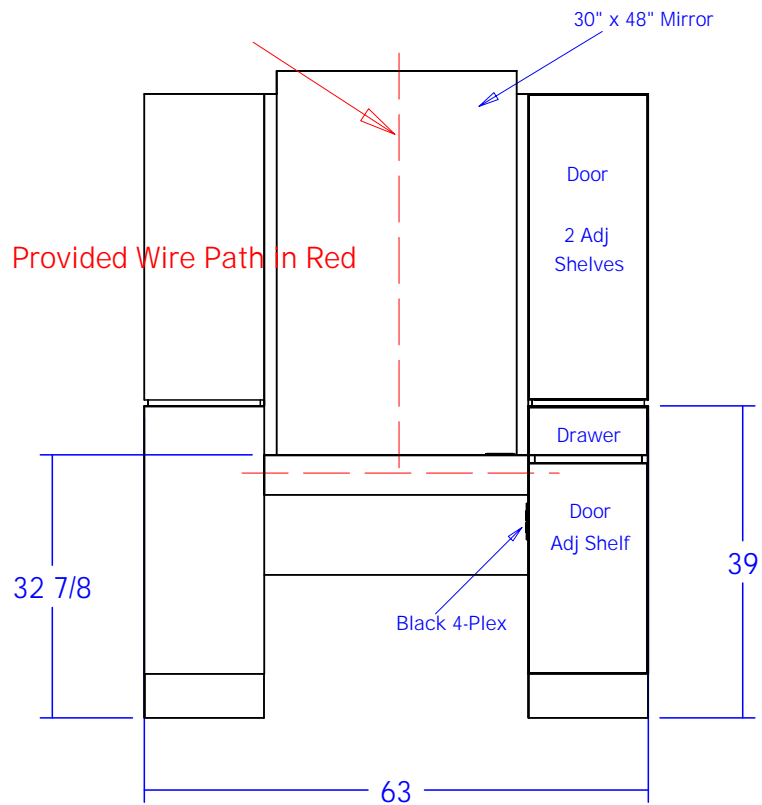
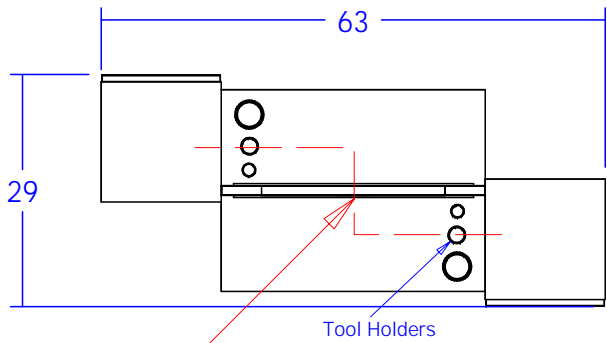
3 Years:

- Ball-Bearing Drawer Slides
- Cabinet hinges

1 Year:

- All remaining components, unless noted otherwise, are guaranteed for a period of one year from the date of purchase.






Finish Schedule -

Face Color -
 Top Color -
 Toe Color -
 Reveal / Accent Color -
 Hardware -
 Interior -
 Other (Specify) -



 Collins Manufacturing 2000 Bowser Road Cookeville, TN 38506		
Title: 471-63 Reve Tower Island		
Size:	Drawing Number:	Drawn By:
Date: 12/09/08	Sheet	1 of 1