



REVE MILAN STYLING ISLAND

SKU:472-60

Stunning and state-of-the-art, the Reve Collection is designed to add a touch of elegance and sophistication.

Made for two back-to-back stylists, the Reve Milan Island features sleek lines, clean simple style with no visible hardware, making this unit perfect for any salon.



TECHNICAL INFORMATION

- Measures: 60"W x 32"D x 84"H
- 2 full extension drawers
- 2 Storage cabinets w/ adjustable shelves
- Quad electrical outlet
- 30" x 48" mirror
- Ledge
 - Blow dryer
 - Flat-iron
 - Curling iron
- Quad electrical outlet for each stylist, wired on-site by electrician

SHIPPING INFORMATION

Item generally ships via Freight(Truck) service

- Weight: 410 lbs
- Dimensions: 2 skids

WARRANTY

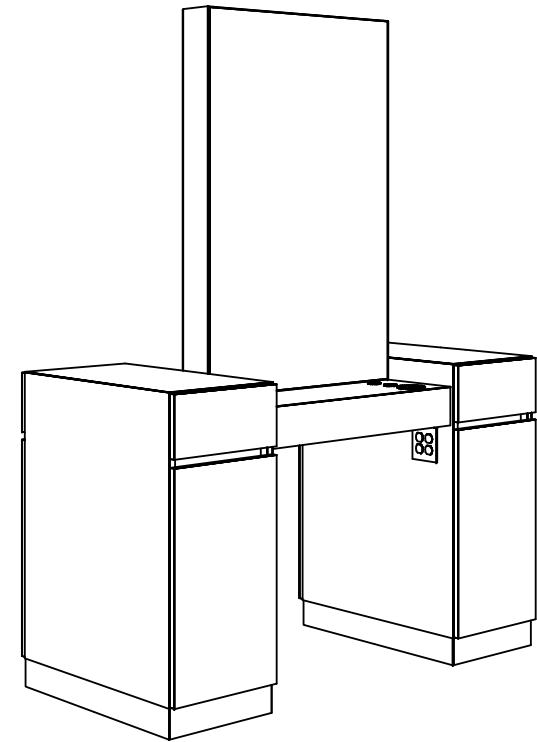
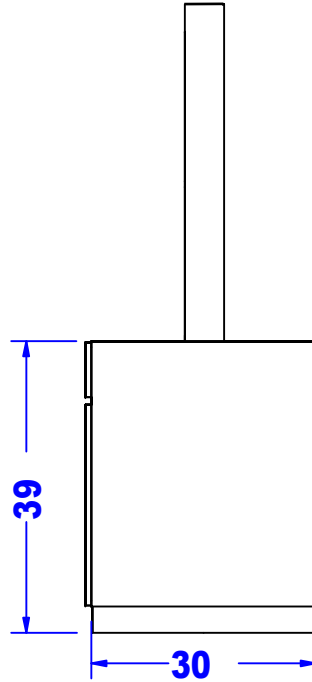
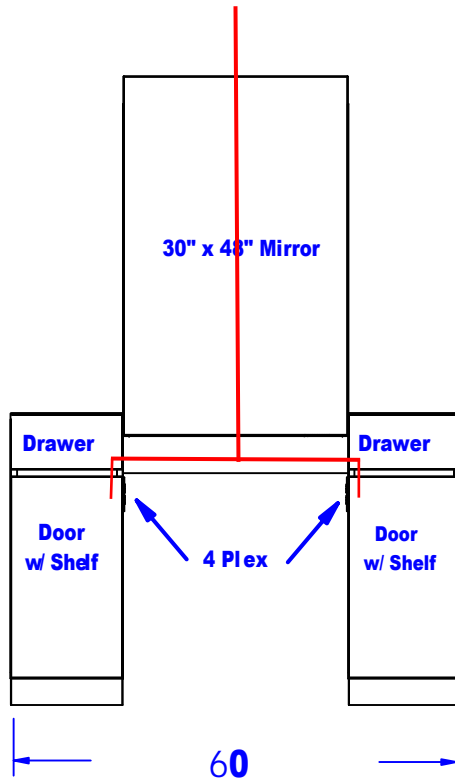
3 Years:

- Ball-Bearing Drawer Slides
- Cabinet hinges

1 Year:

- All remaining components, unless noted otherwise, are guaranteed for a period of one year from the date of purchase.

Wiring Path in Red



Finish Schedule -

Face Color - Shaker Cherry
 Top Color - Shaker Cherry
 Toe Color - Black
 Reveal / Accent Color - Black
 Hardware - N/A
 Interior - Black Melamine
 Other (Specify) -

General Notes:

1. All counter tops are to be made removable wherever possible.
2. Items must be broken into manageable sections For Shipping. Mark For Ease Of Reassembly.
3. Install Shipping Cleats Wherever Possible To Prevent Shipping Damage.
4. Purchased items Must Be Trial Fit Before Shipping.

collins Collins Manufacturing 2000 Bowser Road Cookeville, TN 38506		
Title 472-60 Reve Milan Island		
Size: NTS	Drawing Number: 71737	Drawn By: Zane
Date: 01/07/08	Sheet 4 of 18	