



REVE 44 WET STATION

SKU:479-44

Stunning and state-of-the-art, the Reve Collection is designed to add a touch of elegance and sophistication.

The Reve 44 Wet Station for smaller spaces gives you storage, sleek lines, clean simple style with no visible hardware, making this unit perfect for any salon.

Wet stations allow the guest to conveniently stay in the same seat for shampooing and styling. They are perfect for small spaces, barber shops or elderly care salons.

TECHNICAL INFORMATION

- Measures: 44 1/2 "W x 16"D x 75"H
- Full extension drawer
- Storage cabinets w/ adjustable shelf
- Shampoo bottle well
- Full size lift lid
- 36" x 36" mirror
- Tool panel
 - Blow dryer
 - Flat iron
 - Curling iron
- Pictured w/ CBI9 Shampoo Bowl, ordered separately

SHIPPING INFORMATION

Item generally ships via Freight(Truck) service

- Weight: 240 lbs
- Dimensions: 48"L x 32"W x 48"H

WARRANTY

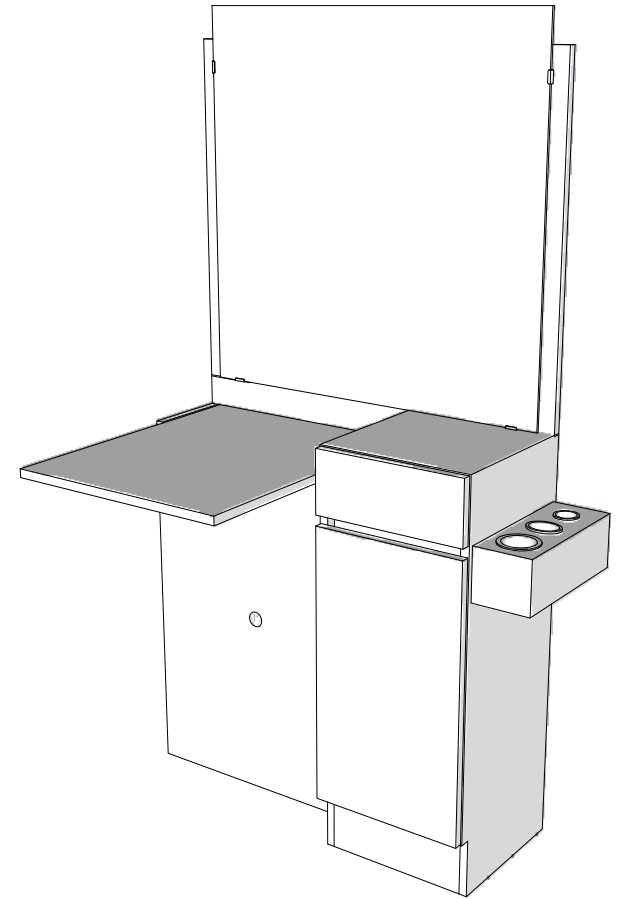
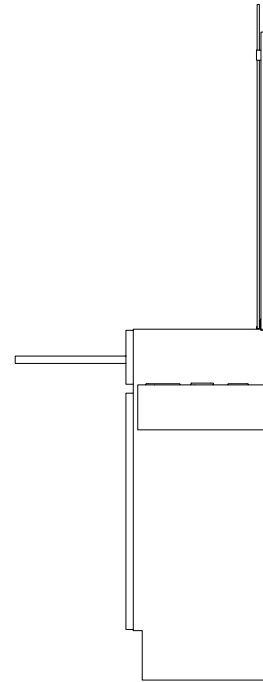
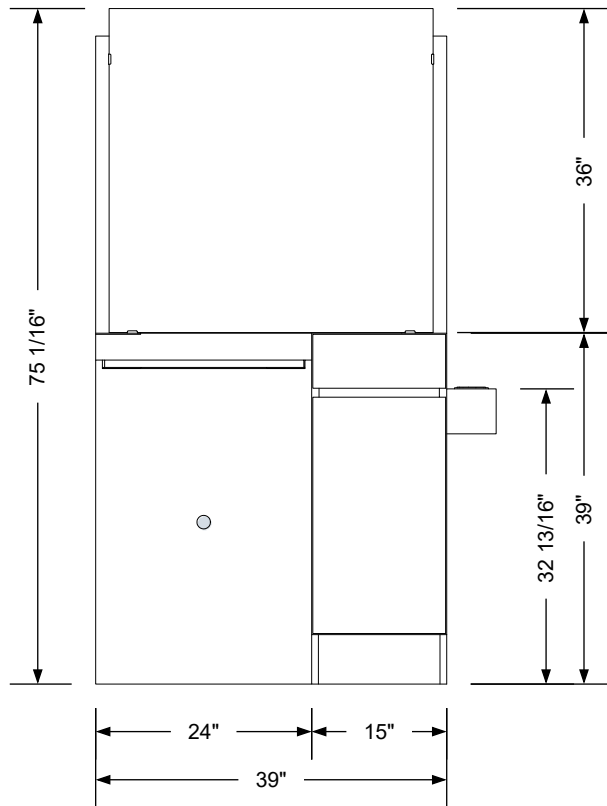
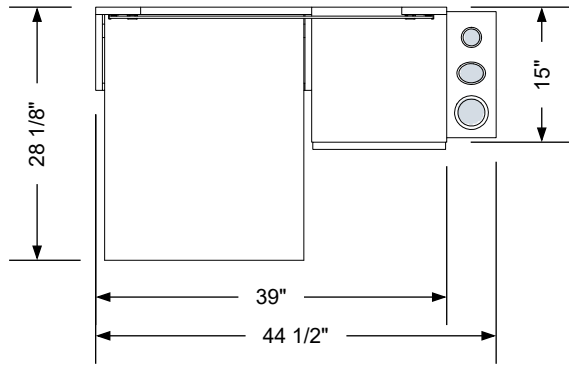
3 Years:

- Ball-Bearing Drawer Slides
- Cabinet hinges

1 Year:

- All remaining components, unless noted otherwise, are guaranteed for a period of one year from the date of purchase.






Additional Information

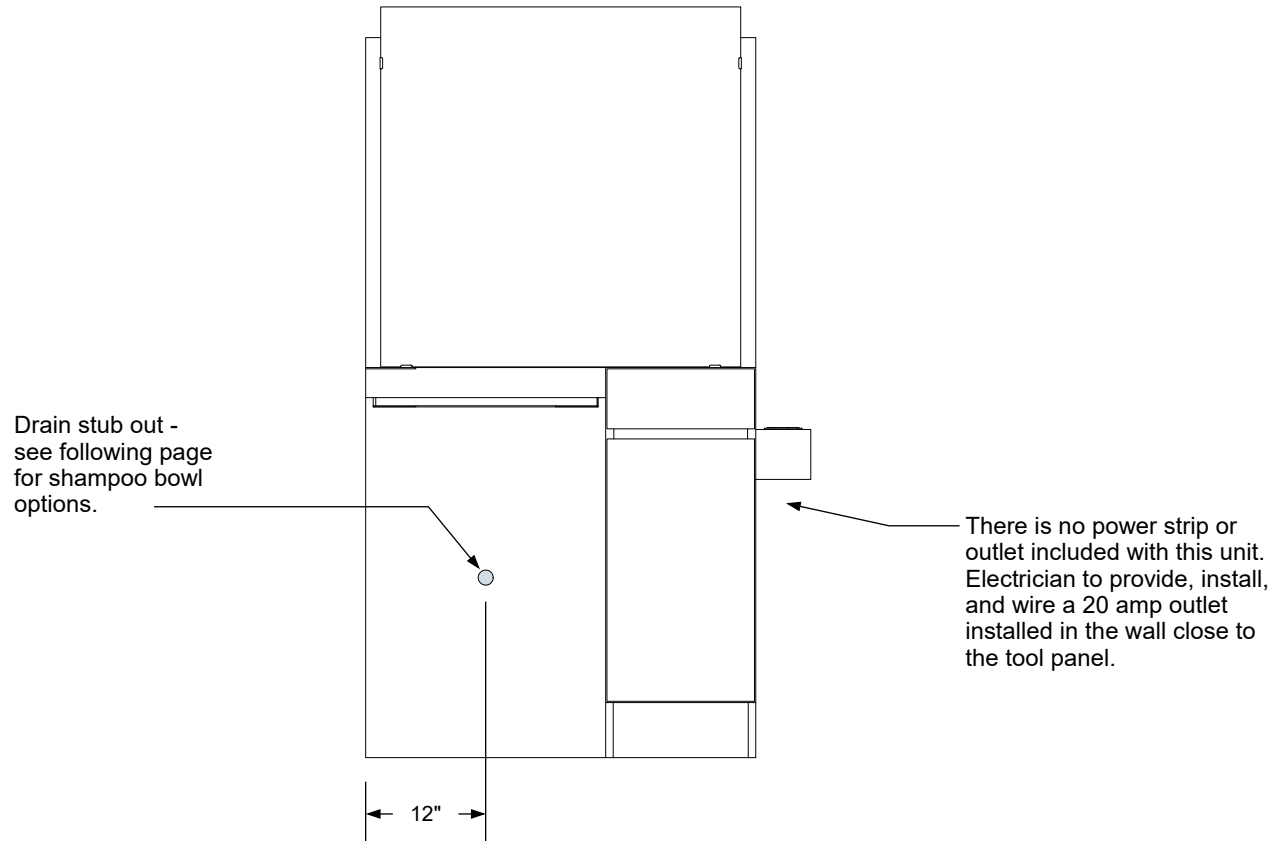
Assembly required - yes
 Electrical required - no
 Plumbing required - yes
 Wall blocking required - no
 COM yardage/laminated usage - 40 sf
 5 1/2"h laminated toe + 1/4"h glides
 Other (specify) - n/a
 Other (specify) - n/a

Specification Drawing

This **Specification Drawing** is intended for communicating the basic description, function, appearance, dimensions, features, and installation of an item as manufactured by Collins Manufacturing Company. Because this drawing does not contain project specific information such as quantities, finishes, or options, it is not an approval drawing and does not require a signature. This drawing remains the property of Collins Manufacturing Company and must not be used against the interests of Collins Manufacturing Company.

Product Information

		Collins Manufacturing 2000 Bowser Road Cookeville, TN 38506	
Name: Reve 44 Wet Station w/ Mirror			
Size: NTS	Part Number: 479-44-1	Drawn By: Eng	
Prepared Date: 3/19/21	Revision Date: Date	Revision Number: Rev #	Sheet: 1 of 3



Plumbing stub out detail


Additional Information

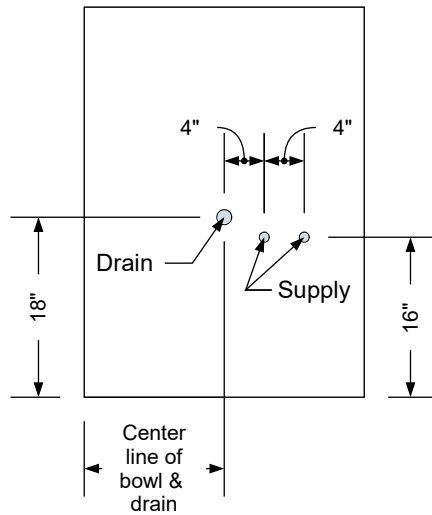
Assembly required - yes
 Electrical required - no
 Plumbing required - yes
 Wall blocking required - no
 COM yardage/laminate usage - 40 sf
 5 1/2"h laminated toe + 1/4"h glides
 Other (specify) - n/a
 Other (specify) - n/a

Specification Drawing

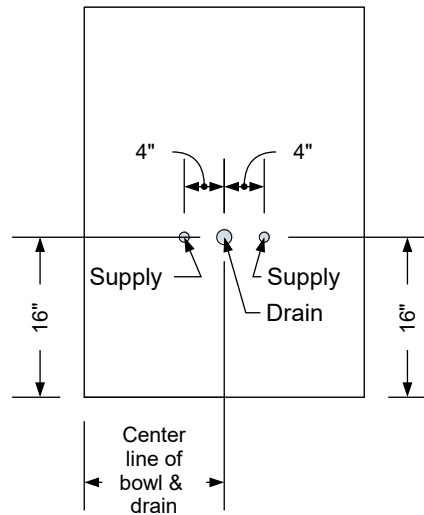
This **Specification Drawing** is intended for communicating the basic description, function, appearance, dimensions, features, and installation of an item as manufactured by Collins Manufacturing Company. Because this drawing does not contain project specific information such as quantities, finishes, or options, it is not an approval drawing and does not require a signature. This drawing remains the property of Collins Manufacturing Company and must not be used against the interests of Collins Manufacturing Company.

Product Information

		Collins Manufacturing 2000 Bowser Road Cookeville, TN 38506	
		Name: Reve 44 Wet Station w/ Mirror	
Size:	Part Number:	Drawn By:	
NTS	479-44-1	Eng	
Prepared Date:	Revision Date:	Revision Number:	Sheet:
3/19/21	Date	Rev #	2 of 3

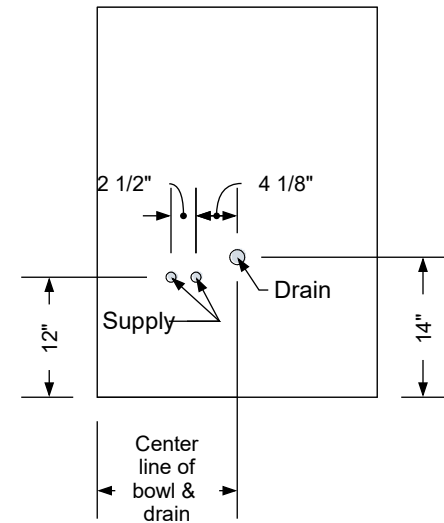


Standard Shampoo Bowl



T100 w/ Tilting Shampoo Bowl

Note: Lift Lid Must Be Reduced In Size To Use This Option.



K100 Adjust-A-Sink Shampoo Bowl

Note: Lift Lid Must Be Reduced In Size To Use This Option.

Typical Collins Shampoo Bowl Options

Additional Information

Assembly required - yes
 Electrical required - no
 Plumbing required - yes
 Wall blocking required - no
 COM yardage/laminate usage - 40 sf
 5 1/2" h laminated toe + 1/4" h glides
 Other (specify) - n/a
 Other (specify) - n/a

Specification Drawing

This **Specification Drawing** is intended for communicating the basic description, function, appearance, dimensions, features, and installation of an item as manufactured by Collins Manufacturing Company. Because this drawing does not contain project specific information such as quantities, finishes, or options, it is not an approval drawing and does not require a signature. This drawing remains the property of Collins Manufacturing Company and must not be used against the interests of Collins Manufacturing Company.

Product Information

		Collins Manufacturing 2000 Bowser Road Cookeville, TN 38506	
Name: Reve 44 Wet Station w/ Mirror			
Size: NTS	Part Number: 479-44-1	Drawn By: Eng	
Prepared Date: 3/19/21	Revision Date: Date	Revision Number: Rev #	Sheet: 3 of 3