



CAMEO WET STATION

SKU:3342-47

This vintage inspired Cameo Wet Station has a beautiful classic style. The gentle curves that add a soft detail, combined with the modern touches make it easily fit into any decor.

Wet stations allow the guest to conveniently stay in the same seat for shampooing and styling. They are perfect for small spaces, barber shops or elderly care salons.

TECHNICAL INFORMATION

- Measures: 47"W x 16"D x 37 1/2"H x 73 1/2"H
- Full extension drawers
- Storage cabinet w/ adjustable shelf
- Shampoo bottle well
- Full size lift lid
- 42" curved accent mirror
- Soft radius pulls
- Tool panel
 - Blow dryer
 - Flat iron
 - Curling irons
- Pictured w/ CBI9 Shampoo Bowl, ordered separately

SHIPPING INFORMATION

Item generally ships via Freight(Truck) service

- Weight: 224 lbs
- Dimensions: 48"L x 32"W x 48"H

WARRANTY

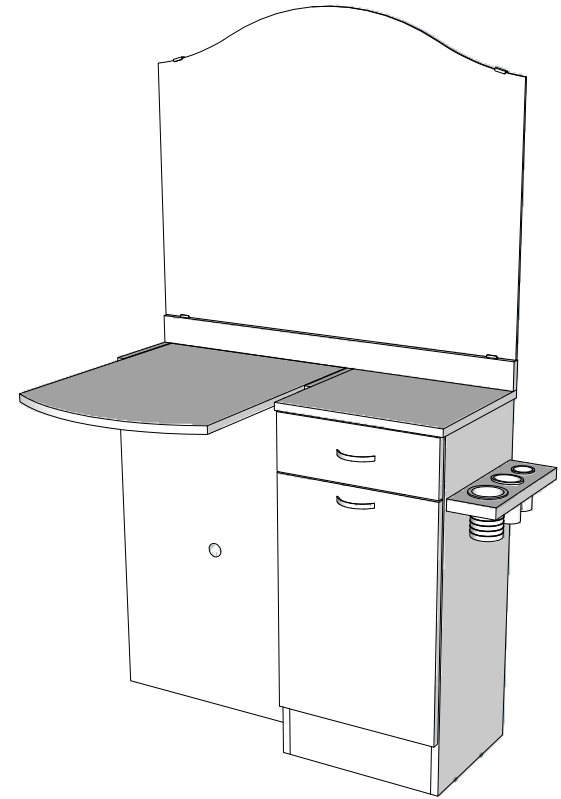
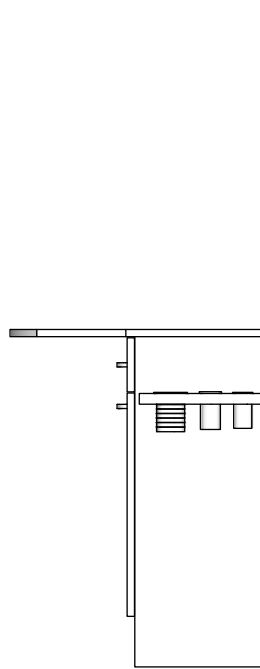
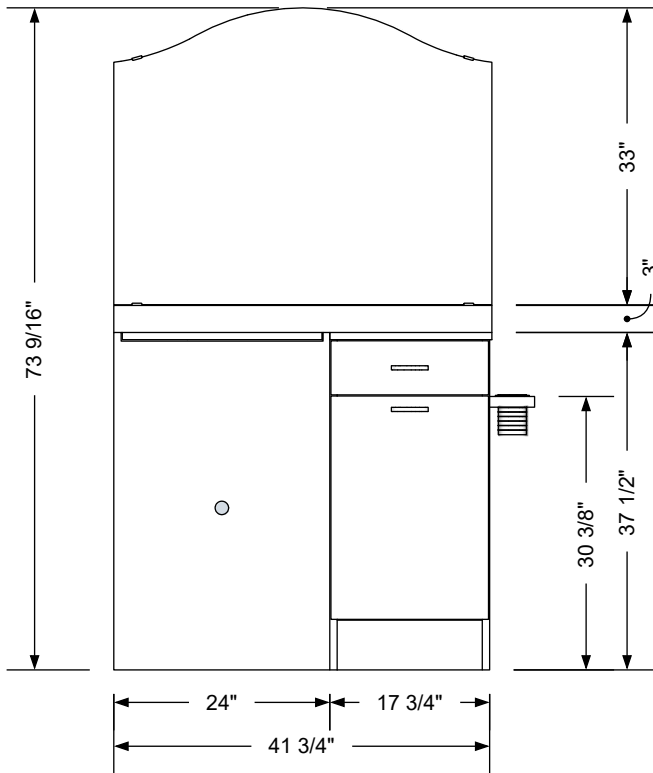
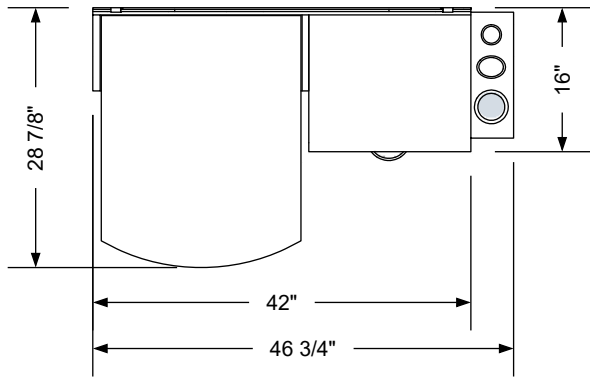
3 Years:

- Ball-Bearing Drawer Slides
- Cabinet hinges

1 Year:

- All remaining components, unless noted otherwise, are guaranteed for a period of one year from the date of purchase.






Additional Information

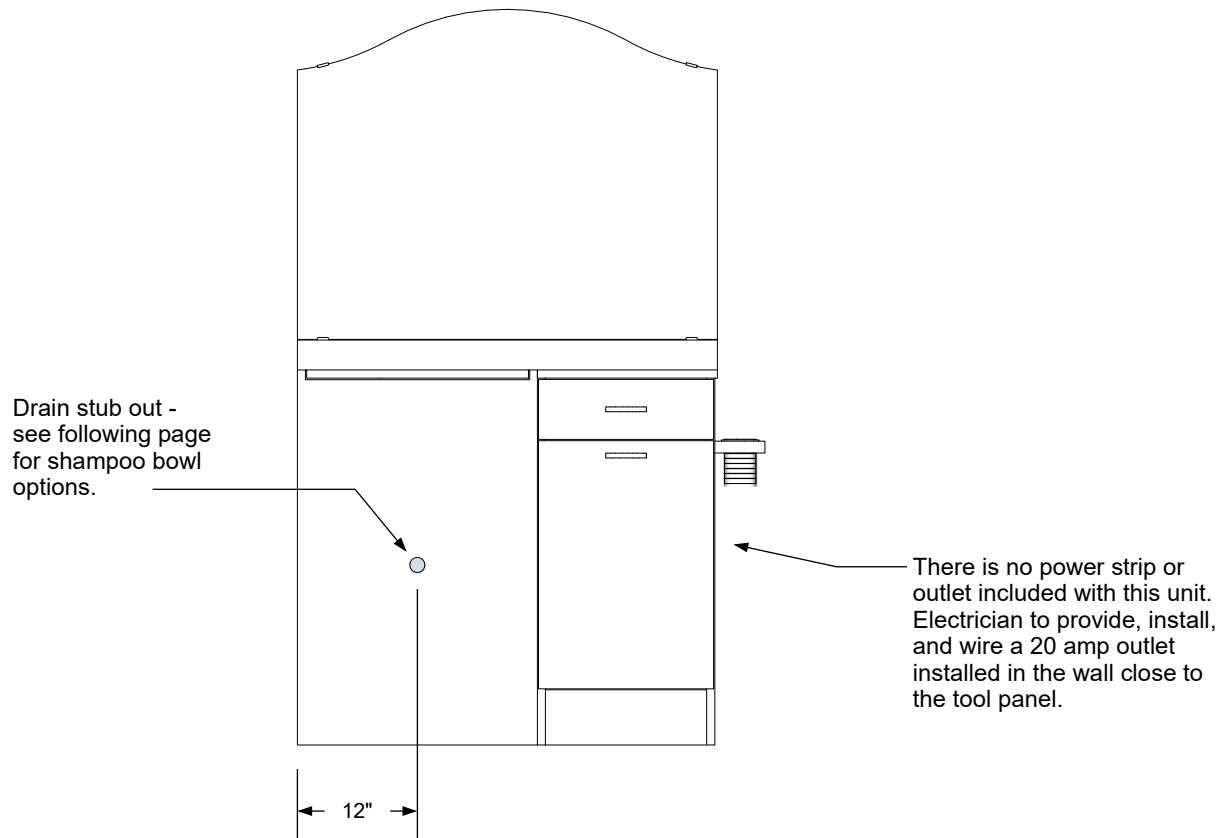
Assembly required - yes
 Electrical required - no
 Plumbing required - yes
 Wall blocking required - no
 COM yardage/laminate usage - 40 sf
 5 1/2"h laminated toe + 1/4"h glides
 Other (specify) - n/a
 Other (specify) - n/a

Specification Drawing

This **Specification Drawing** is intended for communicating the basic description, function, appearance, dimensions, features, and installation of an item as manufactured by Collins Manufacturing Company. Because this drawing does not contain project specific information such as quantities, finishes, or options, it is not an approval drawing and does not require a signature. This drawing remains the property of Collins Manufacturing Company and must not be used against the interests of Collins Manufacturing Company.

Product Information

		Collins Manufacturing 2000 Bowser Road Cookeville, TN 38506	
Name: Cameo Wet Station w/ Shaped Mirror			
Size: NTS	Part Number: 3342-47	Drawn By: Eng	
Prepared Date: 3/19/21	Revision Date: Date	Revision Number: Rev #	Sheet: 1 of 3



Plumbing stub out detail


Additional Information

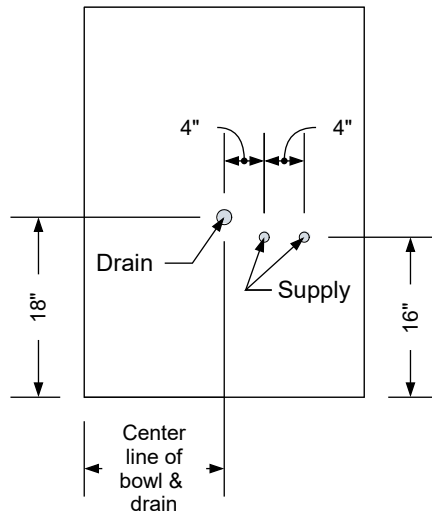
Assembly required - yes
 Electrical required - no
 Plumbing required - yes
 Wall blocking required - no
 COM yardage/laminate usage - 40 sf
 5 1/2"h laminated toe + 1/4"h glides
 Other (specify) - n/a
 Other (specify) - n/a

Specification Drawing

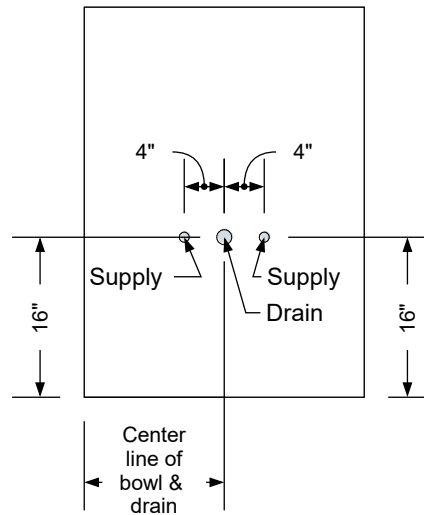
This **Specification Drawing** is intended for communicating the basic description, function, appearance, dimensions, features, and installation of an item as manufactured by Collins Manufacturing Company. Because this drawing does not contain project specific information such as quantities, finishes, or options, it is not an approval drawing and does not require a signature. This drawing remains the property of Collins Manufacturing Company and must not be used against the interests of Collins Manufacturing Company.

Product Information

		Collins Manufacturing 2000 Bowser Road Cookeville, TN 38506	
		Name: Cameo Wet Station w/ Shaped Mirror	
Size: NTS	Part Number: 3342-47	Drawn By: Eng	
Prepared Date: 3/19/21	Revision Date: Date	Revision Number: Rev #	Sheet: 2 of 3

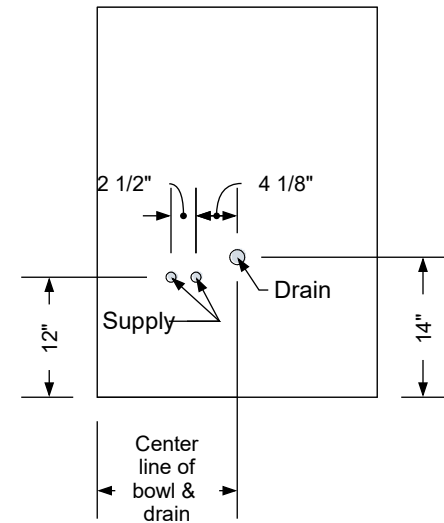


Standard Shampoo Bowl



T100 w/ Tilting Shampoo Bowl

Note: Lift Lid Must Be Reduced In Size To Use This Option.



K100 Adjust-A-Sink Shampoo Bowl

Note: Lift Lid Must Be Reduced In Size To Use This Option.

Typical Collins Shampoo Bowl Options

Additional Information

Assembly required - yes
 Electrical required - no
 Plumbing required - yes
 Wall blocking required - no
 COM yardage/laminate usage - 40 sf
 5 1/2" h laminated toe + 1/4" h glides
 Other (specify) - n/a
 Other (specify) - n/a

Specification Drawing

This **Specification Drawing** is intended for communicating the basic description, function, appearance, dimensions, features, and installation of an item as manufactured by Collins Manufacturing Company. Because this drawing does not contain project specific information such as quantities, finishes, or options, it is not an approval drawing and does not require a signature. This drawing remains the property of Collins Manufacturing Company and must not be used against the interests of Collins Manufacturing Company.

Product Information

		Collins Manufacturing 2000 Bowser Road Cookeville, TN 38506	
Name: Cameo Wet Station w/ Shaped Mirror			
Size: NTS	Part Number: 3342-47	Drawn By: Eng	
Prepared Date: 3/19/21	Revision Date: Date	Revision Number: Rev #	Sheet: 3 of 3