



CIGNO STAINLESS PEDICURE UNIT

SKU:4436S

Experience the ultimate combination of European styling, art deco, and retro design with the Cigno Stainless Pedicure Unit. The luxurious, heavily padded chairs are both stunning and sturdy, providing unmatched comfort for your clients. Plus, the swiveling chair feature makes it effortless for clients to enter and exit.

TECHNICAL INFORMATION

- Measures: 43"W x 52"D
- Large stainless steel soaking basin
- Fixtures w/ spray hose
- Drain assembly w/ control
- 10" Step w/ safety tread
- Utility drawer
- Swiveling Cigno chair
- Optional: 10824 Three-zone massage and lumbar heat

SHIPPING INFORMATION

Item generally ships via Freight(Truck) service

- Weight: 334 lbs
- Dimensions: 1 SKID1 CARTON

WARRANTY

7.5 Years:

- Models 3500, 4500, 5550 Foot Operated Hydraulic Pumps

5 years:

- Collins Comfort Zone anti-fatigue mats
- All purpose and shampoo chair back reclining mechanisms

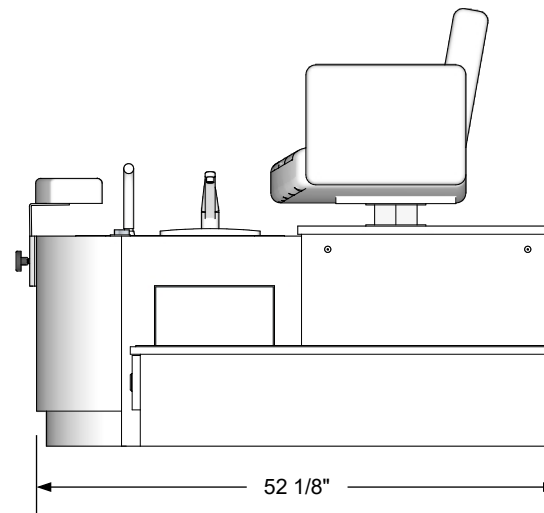
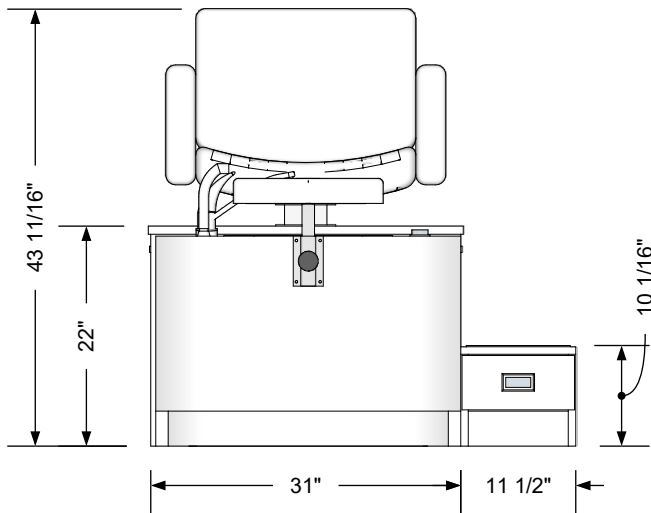
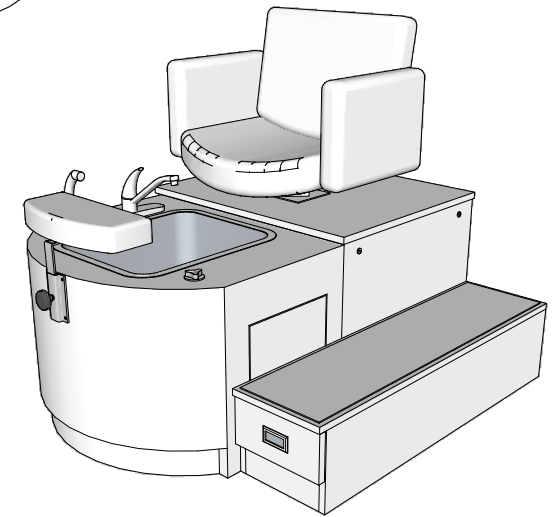
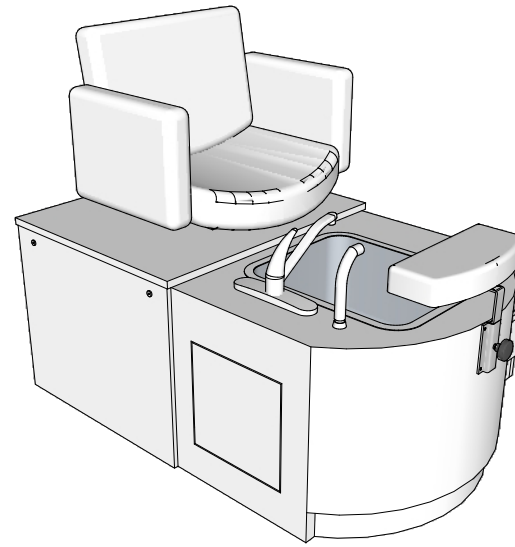
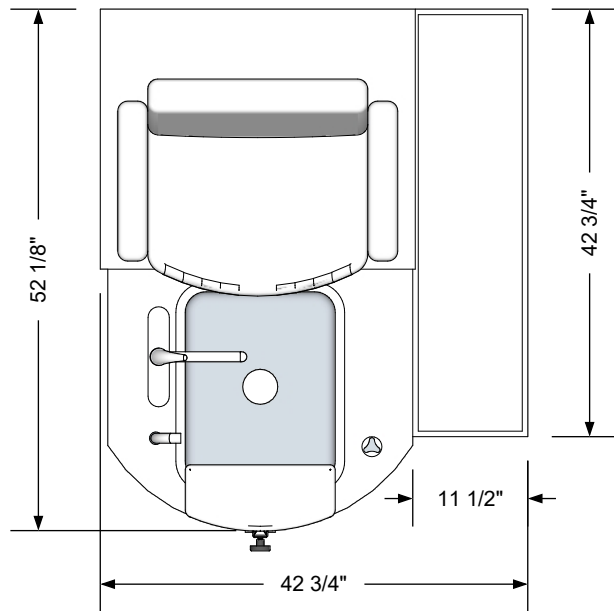
3 Years:

- BKB Electric Base
- Molded urethane arms
- Upholstery
- Ball-Bearing Drawer Slides
- Cabinet hinges

1 year:

- All remaining components, unless otherwise noted






Additional Information

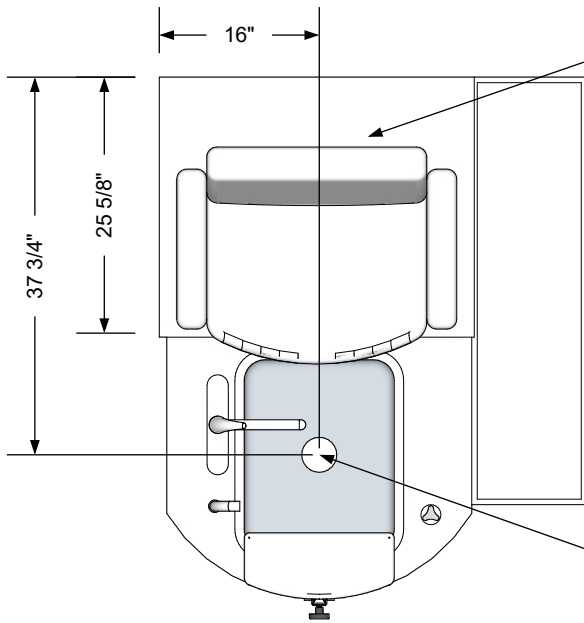
Assembly required - yes
 Electrical required - no
 Plumbing required - yes
 Wall blocking required - no
 COM yardage/laminate usage - 2.33 yds/54 sf
 Other (specify) - n/a
 Other (specify) - n/a
 Other (specify) - n/a

Specification Drawing

This **Specification Drawing** is intended for communicating the basic description, function, appearance, dimensions, features, and installation of an item as manufactured by Collins Manufacturing Company. Because this drawing does not contain project specific information such as quantities, finishes, or options, it is not an approval drawing and does not require a signature. This drawing remains the property of Collins Manufacturing Company and must not be used against the interests of Collins Manufacturing Company.

Product Information

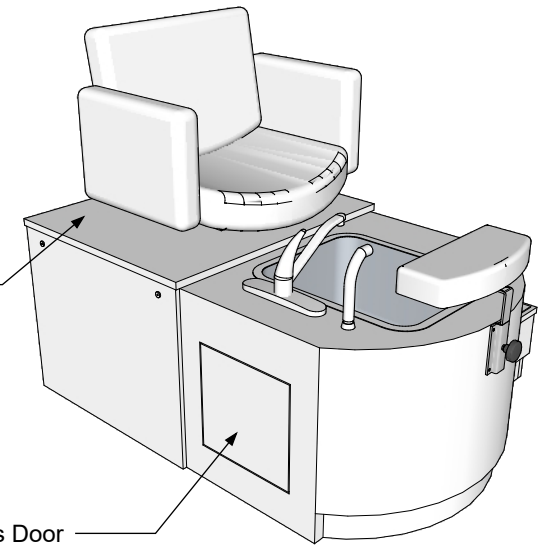
		Collins Manufacturing 2000 Bowser Road Cookeville, TN 38506	
Name: Cigno Stainless Pedicure Unit			
Size: NTS	Part Number: 4436S	Drawn By: Eng	
Prepared Date: 5/26/20	Revision Date: Date	Revision Number: Rev #	Sheet: 1 of 2



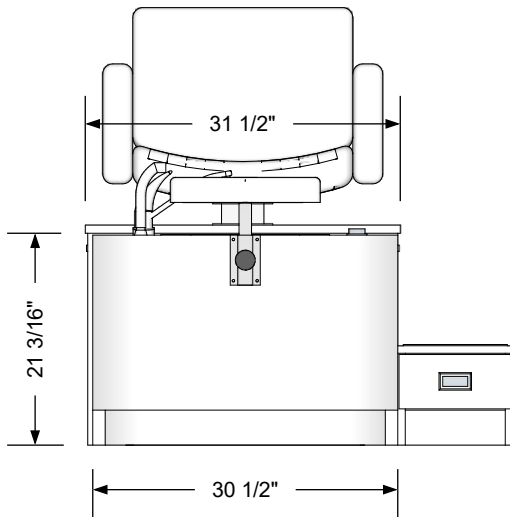
Water supply connections and drain connections can easily be made as long as the stub outs fall within the footprint or back profile of the seat support box. The plumber is responsible for providing the appropriate components and supply lines.

Seat and top may be removed for access to water supply and drain connections.

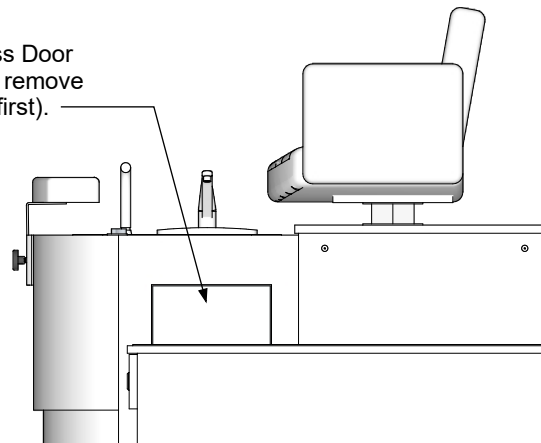
Note: when the cable-operated drain is installed, there is approximately 5 1/2" below it to connect a trap



Access Door



Access Door
(Must remove step first).



Plumbing stub out detail

Additional Information

Assembly required - yes
 Electrical required - no
 Plumbing required - yes
 Wall blocking required - no
 COM yardage/laminate usage - 2.33 yds/54 sf
 Other (specify) - n/a
 Other (specify) - n/a
 Other (specify) - n/a

Specification Drawing

This **Specification Drawing** is intended for communicating the basic description, function, appearance, dimensions, features, and installation of an item as manufactured by Collins Manufacturing Company. Because this drawing does not contain project specific information such as quantities, finishes, or options, it is not an approval drawing and does not require a signature. This drawing remains the property of Collins Manufacturing Company and must not be used against the interests of Collins Manufacturing Company.

Product Information

collins		Collins Manufacturing 2000 Bowser Road Cookeville, TN 38506	
Name: Cigno Stainless Pedicure Unit			
Size: NTS	Part Number: 4436S	Drawn By: Eng	
Prepared Date: 5/26/20	Revision Date: Date	Revision Number: Rev #	Sheet: 2 of 2