



REVE STYLING STATION WITH RETAIL

SKU:466-48

Stunning and state-of-the-art, the Reve Collection is designed to add a touch of elegance and sophistication.

The Reve Styling Station with Retail shelving features sleek lines, clean simple style with no visible hardware, making this unit perfect for any salon.

TECHNICAL INFORMATION

- Measures: 48"W x 16"D x 81"H
- Full extension drawer, ball bearing slides
- Storage cabinet w/ adjustable shelf
- 30" x 48" mirror
- Retail display w/ glass shelves
- Ledge w/ tool holder
 - Blow dryer
 - Curling iron
 - Flat iron

SHIPPING INFORMATION

Item generally ships via Freight(Truck) service

- Weight: 228 lbs
- Dimensions: 48"L x 32"W x 59"H

WARRANTY

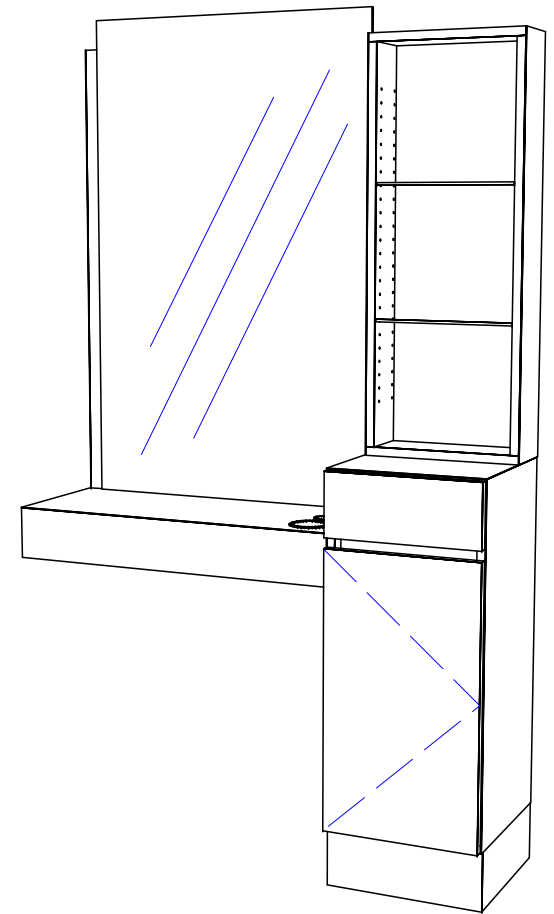
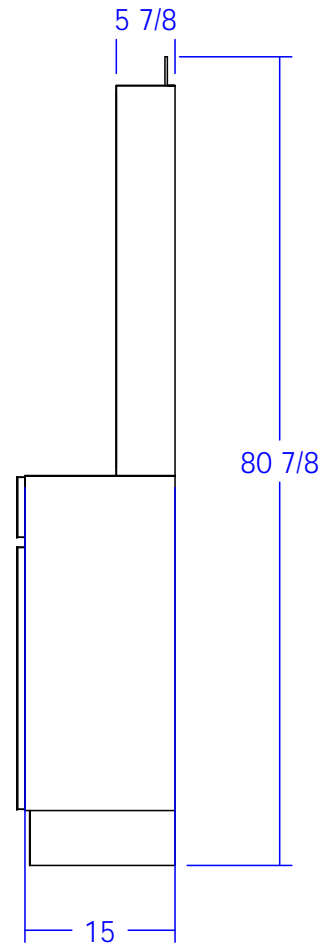
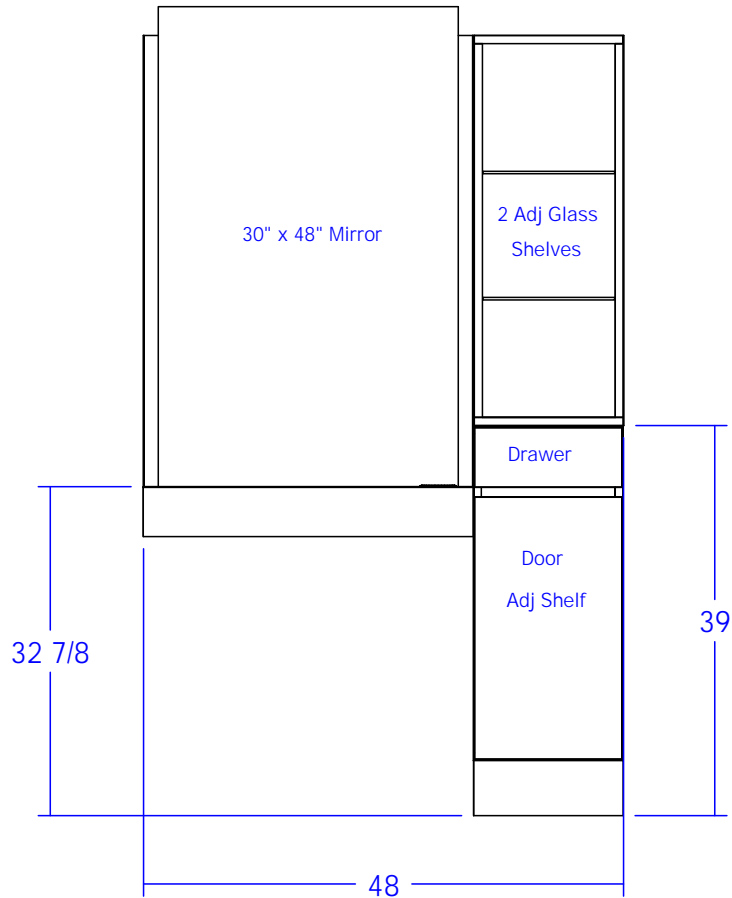
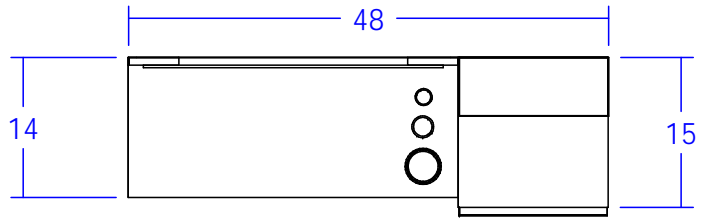
3 Years:

- Ball-Bearing Drawer Slides
- Cabinet hinges

1 Year:

- All remaining components, unless noted otherwise, are guaranteed for a period of one year from the date of purchase.






Quantity -

Finish Schedule -

Face Color -
 Top Color -
 Toe Color -
 Reveal / Accent Color -
 Hardware -
 Interior -
 Other (Specify) -

This drawing is the property of Collins Manufacturing Company and is protected under copyright law.

 Collins Manufacturing 2000 Bowser Road Cookeville, TN 38506		
Title:		
Size: NTS	Drawing Number: Reve	Drawn By:
Date: 12/04/08	Sheet 1 of 1	