



RIO ARTISTRY STYLING STATION

SKU:608-30

The Rio Artistry Styling Station is a modern and elegant, yet simple approach to your hair styling. The tempered glass ledge adds function, while also giving the styling station an elegant look that fits right in at any salon.

TECHNICAL INFORMATION

- Measures: 30"W x 15"D x 78"H
- 24" x 60" and 3/8" tempered glass ledge
- Right Side
 - Shear & brush drawer
 - Angled tool panel
 - Power strip
 - Convenient shelves
- Left Side
 - Storage
 - Adjustable shelves
 - Two doors

SHIPPING INFORMATION

Item generally ships via Freight(Truck) service

- Weight: 340 lbs
- Dimensions: 48"L x 30"W x 92"H

WARRANTY

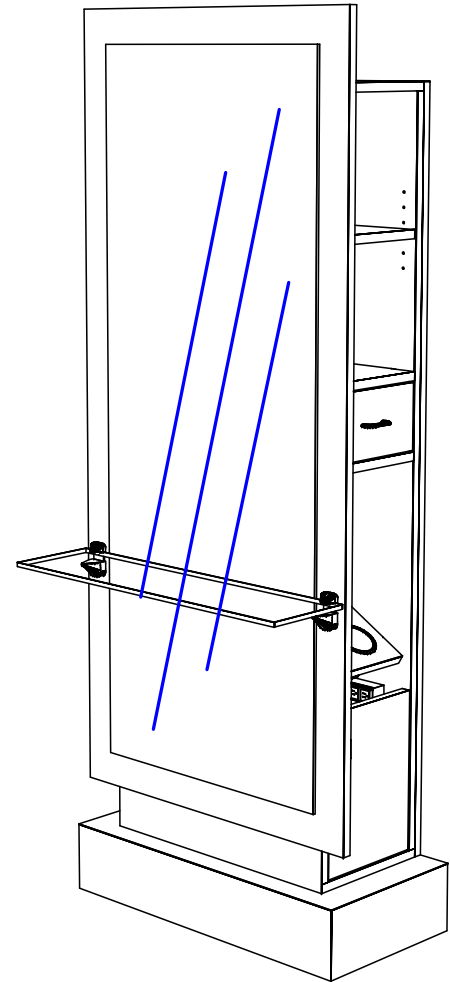
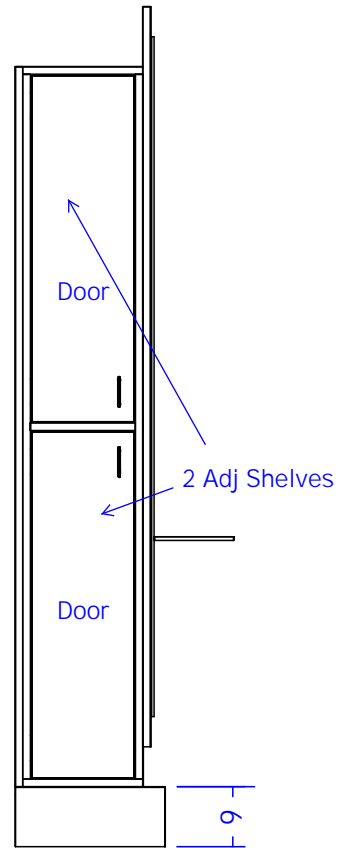
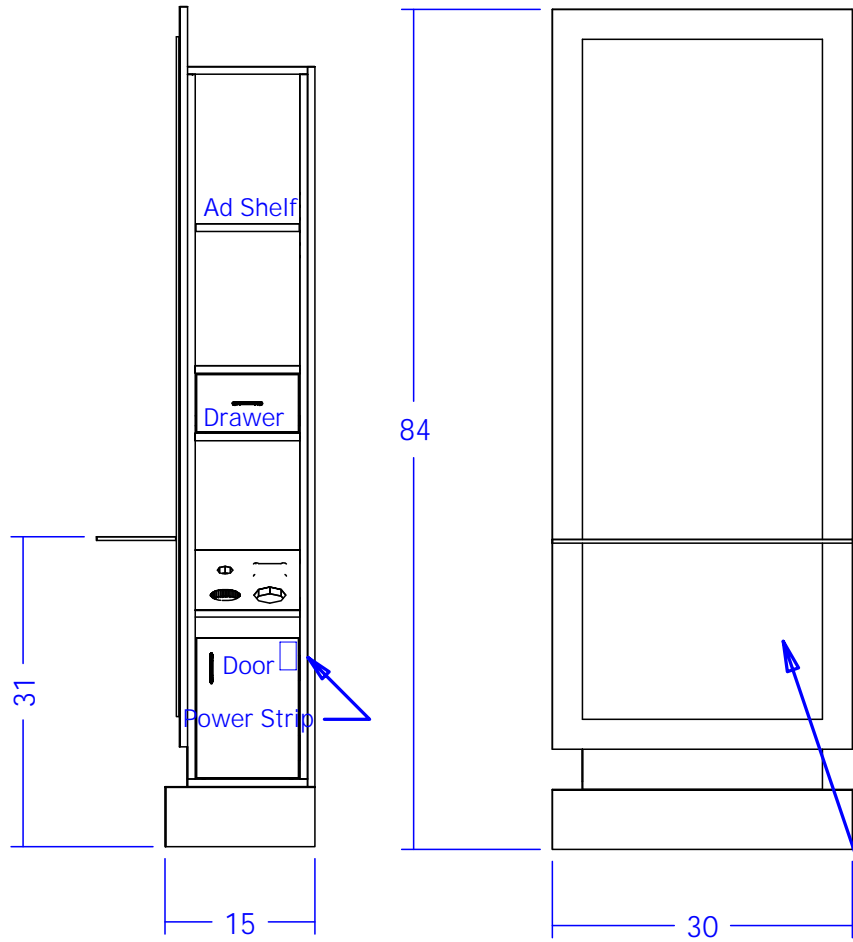
3 Years:

- Ball-Bearing Drawer Slides
- Cabinet hinges

1 Year:

- All remaining components, unless noted otherwise, are guaranteed for a period of one year from the date of purchase.






30" x 8 1/2" x 3/8" Tempered Glass Ledge

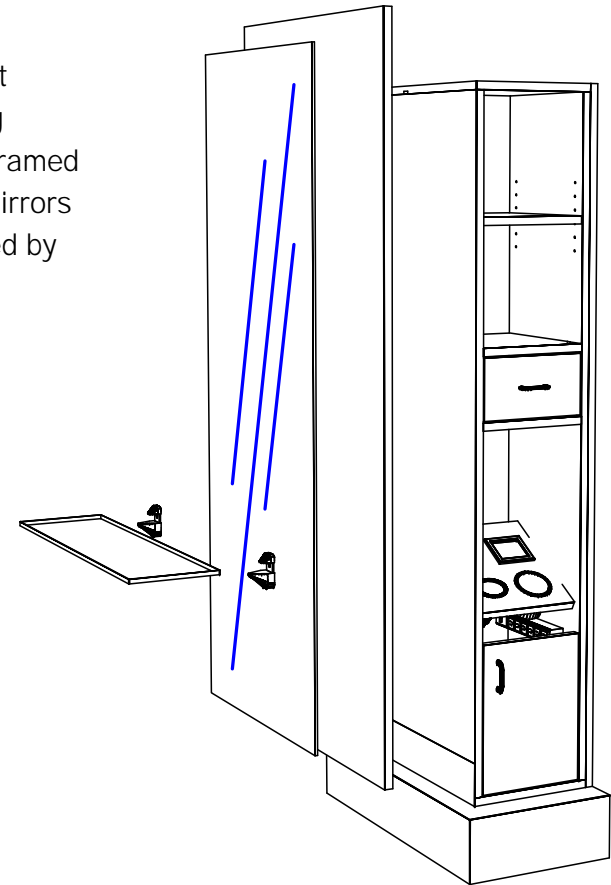
Finish Schedule - 608-30-1

Face Color -
 Top Color -
 Toe Color -
 Reveal / Accent Color -
 Hardware - Bar Pulls
 Interior - 1595-60 Black
 Other (Specify) -

 Collins Manufacturing 2000 Bowser Road Cookeville, TN 38506		Drawing Number: 91256	Drawn By: Brian
		NTS	Sheet

This item is attached to the wall with wood screws. 3" wood screws and decorative washers are provided for wood framed walls. Fasteners for other wall types are to be obtained locally. Screw through the back panel in locations which will be inconspicuous after installation. Suggested locations include: under shelves, behind drawers, and locations hidden by products or supplies.


Mirrors are provided with mirror clips and wood screws. Attach one mirror clip at each corner approximately 2" in from the vertical edge. Two different sizes of screws are provided: 3/4" screws for attaching the mirror to wood cabinet components and 1" screws for going through gypsum board into a wood framed stud wall. Fasteners for attaching mirrors to other wall types are to be provided by the installer.



Attach mirror panel by fastening through the pre-drilled holes with the provided connector bolts. These bolts will thread into a factory installed threaded fastener.

Finish Schedule - 608-30-1

Face Color -
 Top Colo
 Toe Color -
 Reveal / Accent Color -
 Hardware - Bar Pulls
 Interior - 1595-60 Black
 Other (Specify) -

		Collins Manufacturing 2000 Bowser Road Cookeville, TN 38506	
		Title:	
Size:	Drawing Number:	Drawn By:	
NTS	91256	Brian	
Date:	Sheet		