



## CLASSIC BARBER STATION

SKU:878-72

The Classic Barber Station is a timeless piece of furniture that will set the tone for your barber shop. Its functional design offers plenty of storage: easy-access drawer for clippers, trimmers, and others, plus cabinet storage and a soiled towel drop.

Our high quality laminate is available in various color options, which allows you to style it to match any space.

### TECHNICAL INFORMATION

---

- Measures: 72"W x 18"D x 36"H
- 2 Drawers
- 2 Storage cabinets
- Soiled towel drop
- Quad electric
- Plumbing access doors
- Includes CB80 Porcelain shampoo bowl & 36" x 72" mirror

### SHIPPING INFORMATION

---

Item generally ships via Freight(Truck) service

- Weight: 374 lbs
- Dimensions: 48"L x 32"W x 96"H

### WARRANTY

---

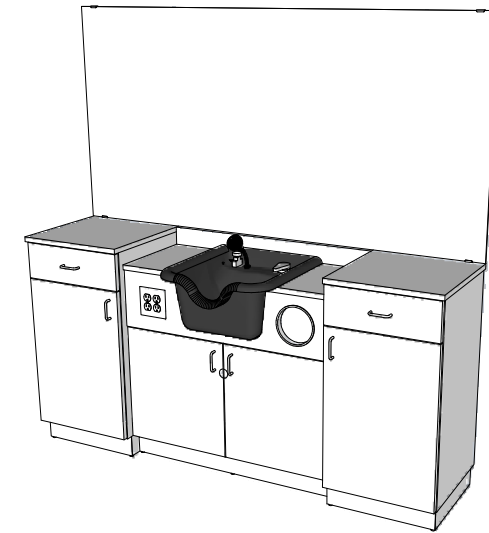
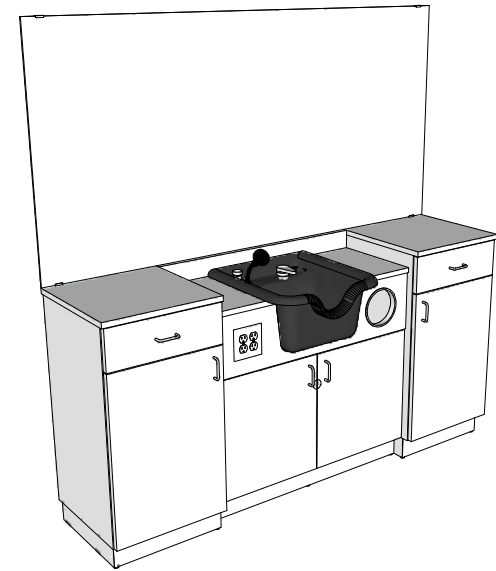
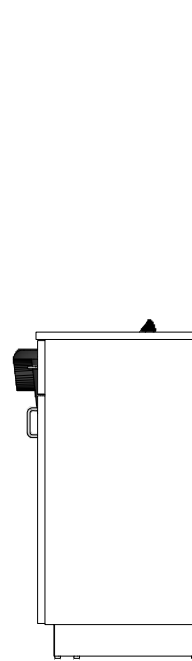
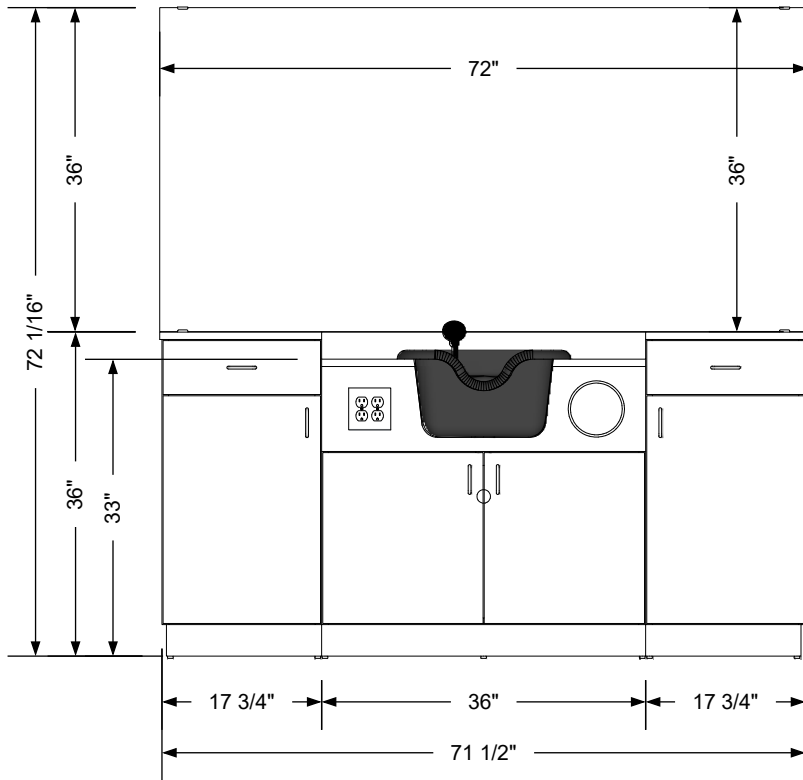
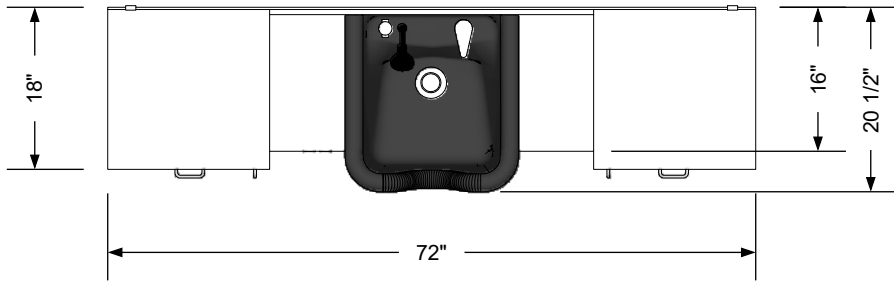
#### 3 Years:

- Ball-Bearing Drawer Slides
- Cabinet hinges

#### 1 Year:

- All remaining components, unless noted otherwise, are guaranteed for a period of one year from the date of purchase.





**Additional Information**

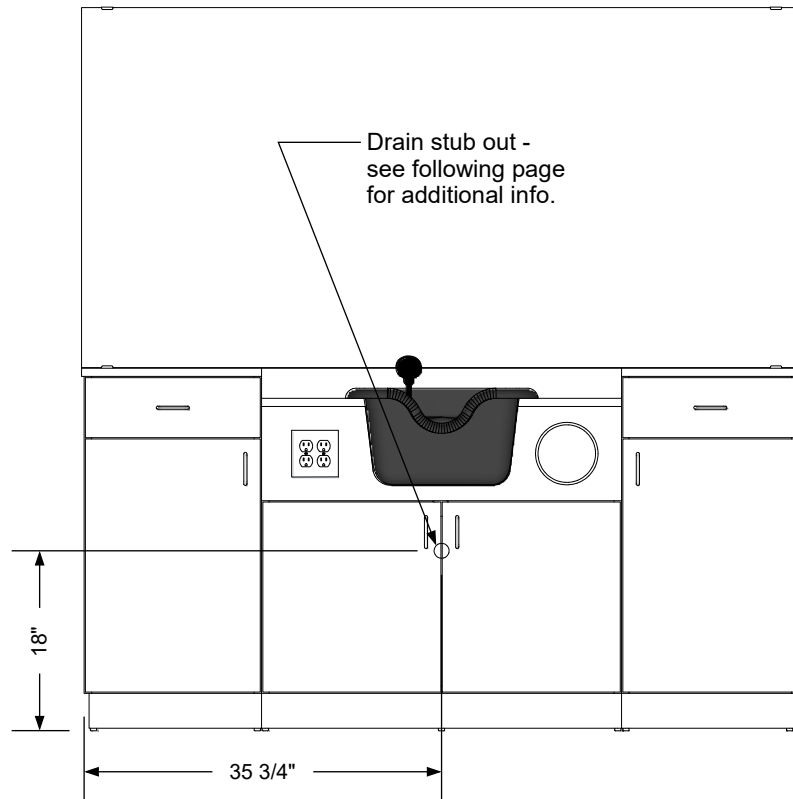
Assembly required - yes  
 Electrical required - yes  
 Plumbing required - yes  
 Wall blocking required - no  
 COM yardage/laminate usage - 52 sf  
 3 1/2" h laminated toe + 1/4" h glides  
 Other (specify) - n/a  
 Other (specify) - n/a

**Specification Drawing**

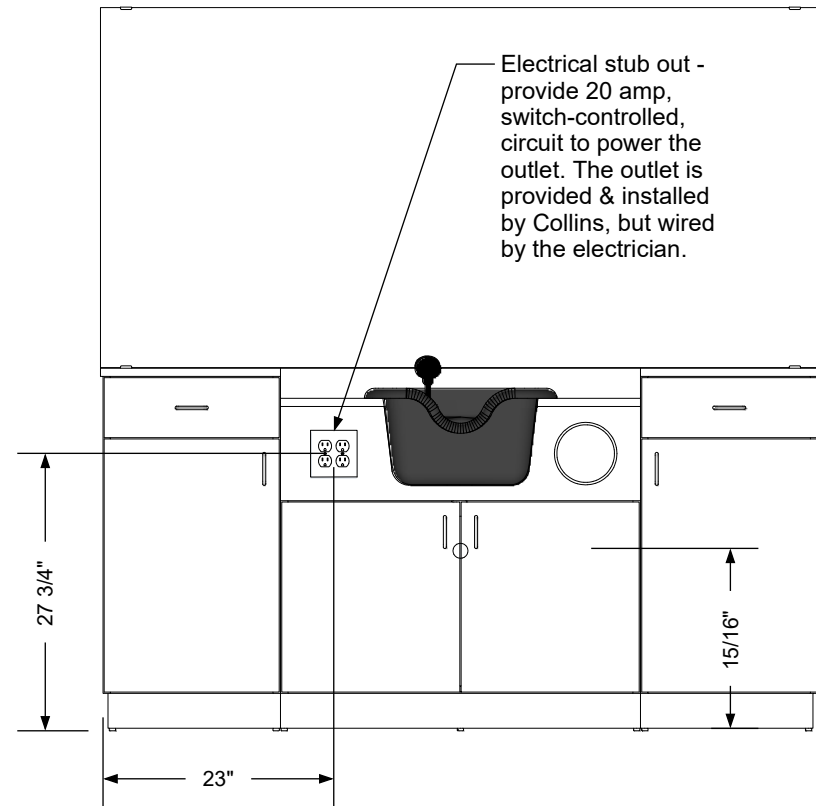
This **Specification Drawing** is intended for communicating the basic description, function, appearance, dimensions, features, and installation of an item as manufactured by Collins Manufacturing Company. Because this drawing does not contain project specific information such as quantities, finishes, or options, it is not an approval drawing and does not require a signature. This drawing remains the property of Collins Manufacturing Company and must not be used against the interests of Collins Manufacturing Company.

**Product Information**

		Collins Manufacturing 2000 Bowser Road Cookeville, TN 38506	
Name: <b>Classic Barber Station</b>			
Size: <b>NTS</b>	Part Number: <b>878-72</b>	Drawn By: <b>Eng</b>	
Prepared Date: <b>4/28/21</b>	Revision Date: <b>Date</b>	Revision Number: <b>Rev #</b>	Sheet: <b>1 of 3</b>



**Plumbing stub out**



**Electrical stub out detail**


**Additional Information**

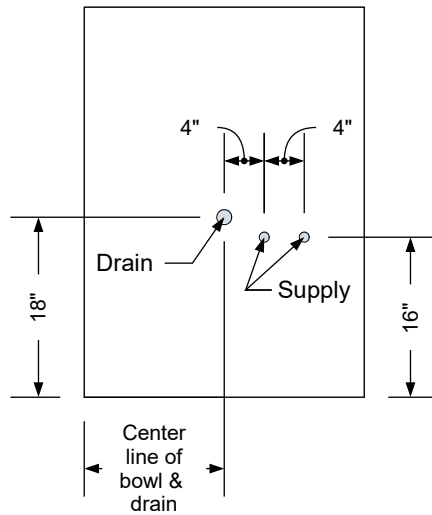
Assembly required - yes  
 Electrical required - yes  
 Plumbing required - yes  
 Wall blocking required - no  
 COM yardage/laminate usage - 52 sf  
 3 1/2"h laminated toe + 1/4"h glides  
 Other (specify) - n/a  
 Other (specify) - n/a

**Specification Drawing**

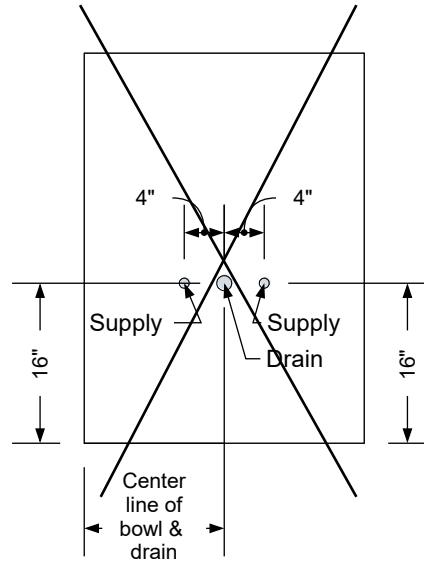
This **Specification Drawing** is intended for communicating the basic description, function, appearance, dimensions, features, and installation of an item as manufactured by Collins Manufacturing Company. Because this drawing does not contain project specific information such as quantities, finishes, or options, it is not an approval drawing and does not require a signature. This drawing remains the property of Collins Manufacturing Company and must not be used against the interests of Collins Manufacturing Company.

**Product Information**

		Collins Manufacturing 2000 Bowser Road Cookeville, TN 38506	
Name: <b>Classic Barber Station</b>			
Size: <b>NTS</b>	Part Number: <b>878-72</b>	Drawn By: <b>Eng</b>	
Prepared Date: <b>4/28/21</b>	Revision Date: <b>Date</b>	Revision Number: <b>Rev #</b>	Sheet: <b>2 of 3</b>

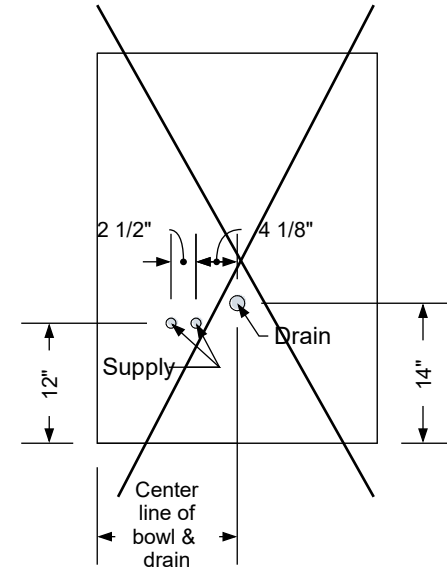


**Standard Shampoo Bowl**



**T100 w/ Tilting Shampoo Bowl**

Note: Lift Lid Must Be Reduced In Size To Use This Option.



**K100 Adjust-A-Sink Shampoo Bowl**

Note: Lift Lid Must Be Reduced In Size To Use This Option.

**Typical Collins Shampoo Bowl Options**

**Additional Information**

Assembly required - yes  
 Electrical required - yes  
 Plumbing required - yes  
 Wall blocking required - no  
 COM yardage/laminate usage - 52 sf  
 3 1/2" h laminated toe + 1/4" h glides  
 Other (specify) - n/a  
 Other (specify) - n/a

**Specification Drawing**

This **Specification Drawing** is intended for communicating the basic description, function, appearance, dimensions, features, and installation of an item as manufactured by Collins Manufacturing Company. Because this drawing does not contain project specific information such as quantities, finishes, or options, it is not an approval drawing and does not require a signature. This drawing remains the property of Collins Manufacturing Company and must not be used against the interests of Collins Manufacturing Company.

**Product Information**

		Collins Manufacturing 2000 Bowser Road Cookeville, TN 38506	
Name: <b>Classic Barber Station</b>			
Size: <b>NTS</b>	Part Number: <b>878-72</b>	Drawn By: <b>Eng</b>	
Prepared Date: <b>4/28/21</b>	Revision Date: <b>Date</b>	Revision Number: <b>Rev #</b>	Sheet: <b>3 of 3</b>