



BRENTWOOD BARBER STATION

SKU:5575-72



The Brentwood Barber Station is designed to provide you with extra storage for barbering tools and products, a side tool holder and storage for combs, brushes and other items you need to keep close at hand.

It also features built-in glass retail shelves for displaying your retail merchandise, plus an overhead storage area ideal for supplies or retail back-stock. The cast-aluminum legs provide sturdy support while adding an eye-catching touch to any location.

Includes CB80 Porcelain shampoo bowl and mirror.

TECHNICAL INFORMATION

- Measures: 72"W x 23"D x 88"H
- Center cabinet
 - Bottle well
 - Plumbing access
- Right & left cabinets w/ cast-aluminum legs
- Full extension drawer
- Storage
- Right & left retail displays
- Overhead storage w/ sliding doors
- Tool panel w/ quad electric

SHIPPING INFORMATION

Item generally ships via Freight(Truck) service

- Weight: 601 lbs
- Dimensions: 2 skids not including bowl

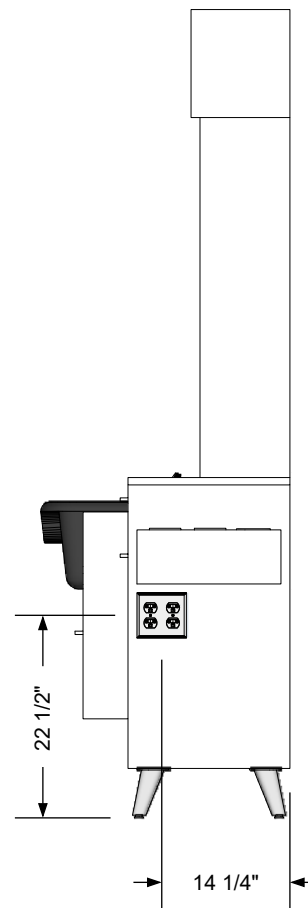
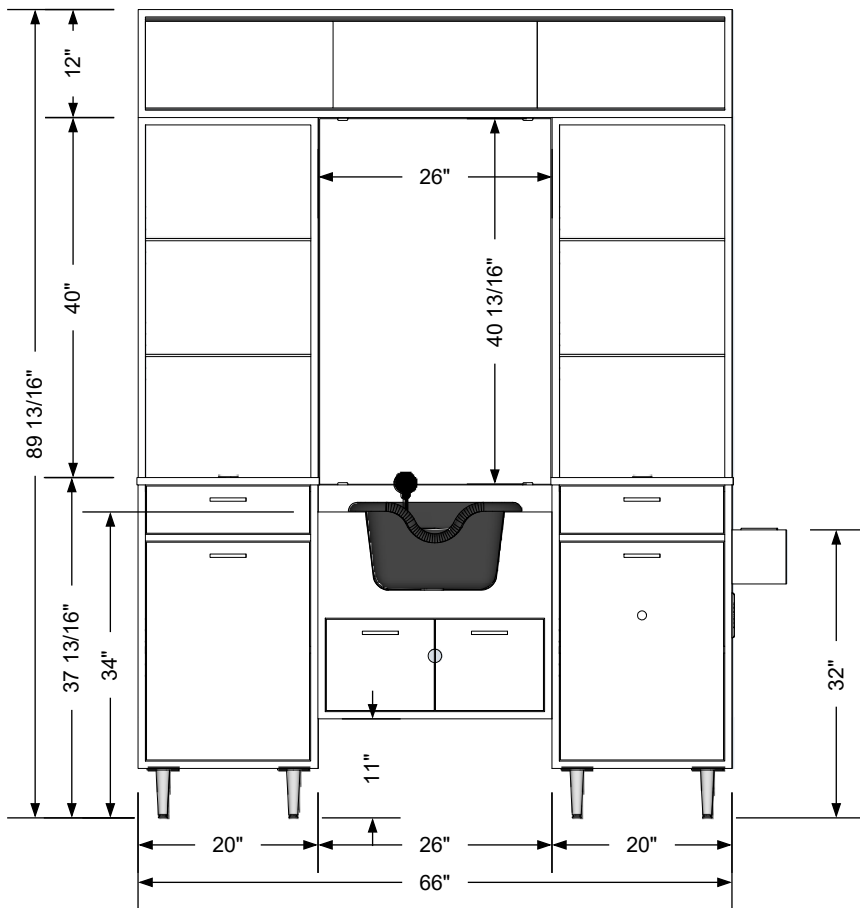
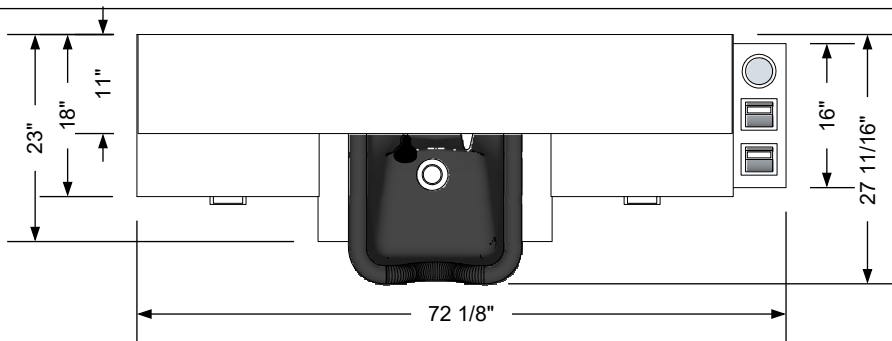
WARRANTY

3 Years:

- Ball-Bearing Drawer Slides
- Cabinet hinges

1 Year:

- All remaining components, unless noted otherwise, are guaranteed for a period of one year from the date of purchase.



Additional Information

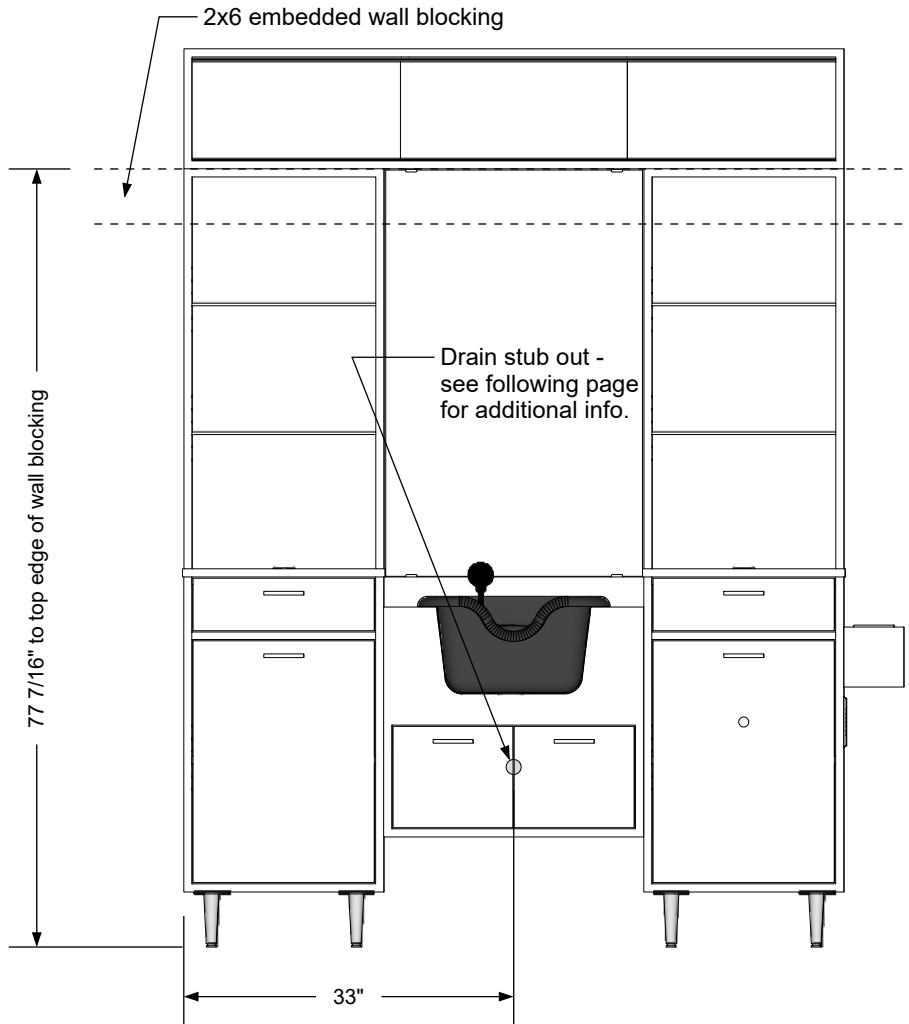
Assembly required - yes
 Electrical required - yes
 Plumbing required - yes
 Wall blocking required - yes
 COM yardage/laminate usage - 152 sf
 5 1/2" h tapered aluminum legs
 Other (specify) - n/a
 Other (specify) - n/a

Specification Drawing

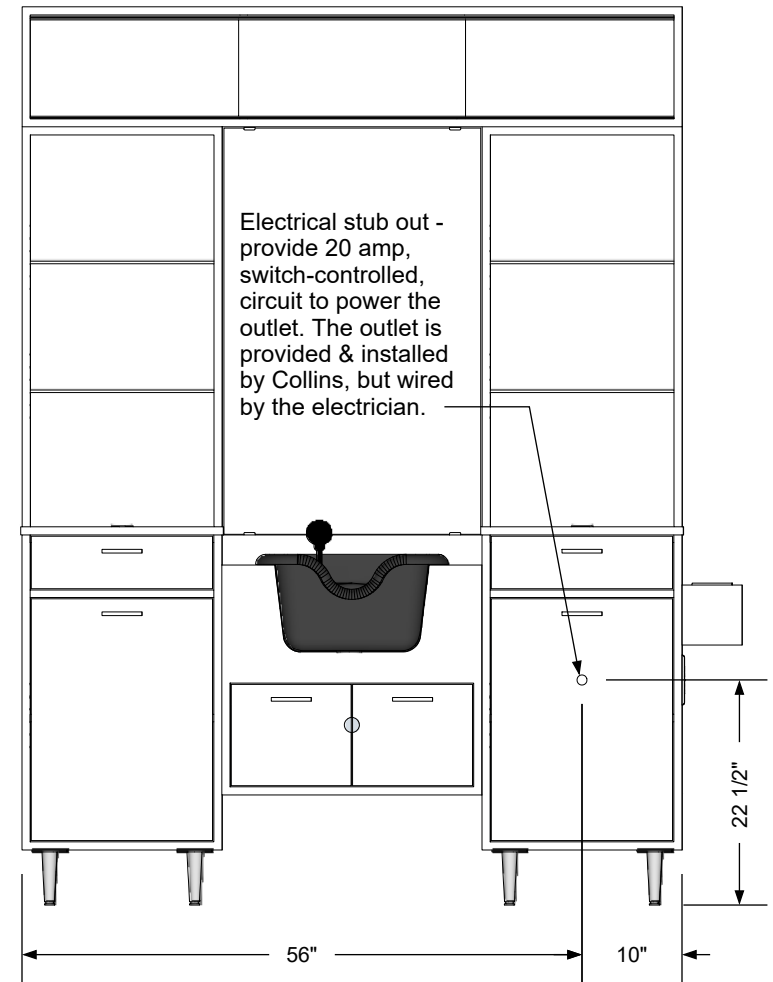
This **Specification Drawing** is intended for communicating the basic description, function, appearance, dimensions, features, and installation of an item as manufactured by Collins Manufacturing Company. Because this drawing does not contain project specific information such as quantities, finishes, or options, it is not an approval drawing and does not require a signature. This drawing remains the property of Collins Manufacturing Company and must not be used against the interests of Collins Manufacturing Company.

collins Collins Manufacturing
 2000 Bowser Road
 Cookeville, TN 38506

Title: Brentwood Barber Station			
Size: NTS	Part Number: 5575-72	Drawn By: Eng	
Prepared Date: 4/29/21	Revision Date: Date	Revision Number: Rev #	Sheet: 1 of 3



Plumbing stub out & blocking detail



Electrical stub out detail

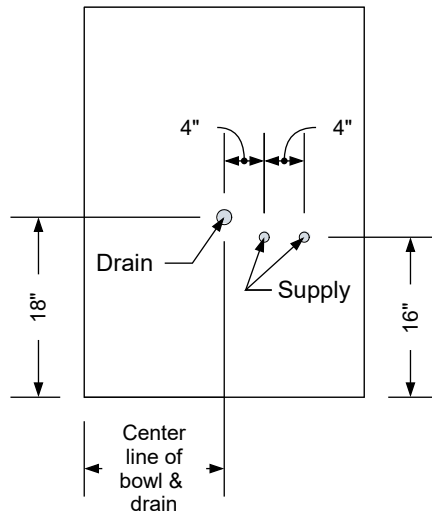
Additional Information

Assembly required - yes
 Electrical required - yes
 Plumbing required - yes
 Wall blocking required - yes
 COM yardage/laminate usage - 152 sf
 5 1/2"h tapered aluminum legs
 Other (specify) - n/a
 Other (specify) - n/a

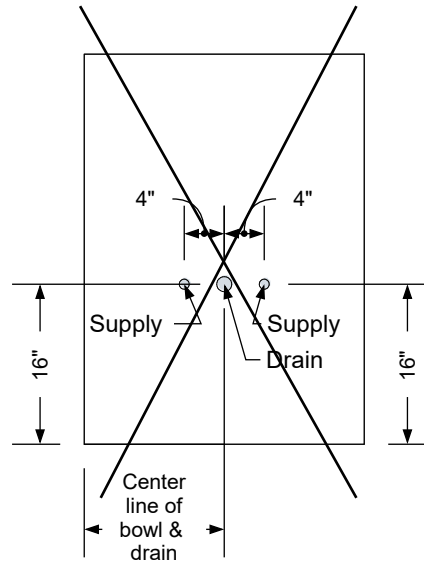
Specification Drawing

This **Specification Drawing** is intended for communicating the basic description, function, appearance, dimensions, features, and installation of an item as manufactured by Collins Manufacturing Company. Because this drawing does not contain project specific information such as quantities, finishes, or options, it is not an approval drawing and does not require a signature. This drawing remains the property of Collins Manufacturing Company and must not be used against the interests of Collins Manufacturing Company.

collins		Collins Manufacturing 2000 Bowser Road Cookeville, TN 38506	
Title: Brentwood Barber Station			
Size: NTS	Part Number: 5575-72	Drawn By: Eng	
Prepared Date: 4/29/21	Revision Date: Date	Revision Number: Rev #	Sheet: 2 of 3

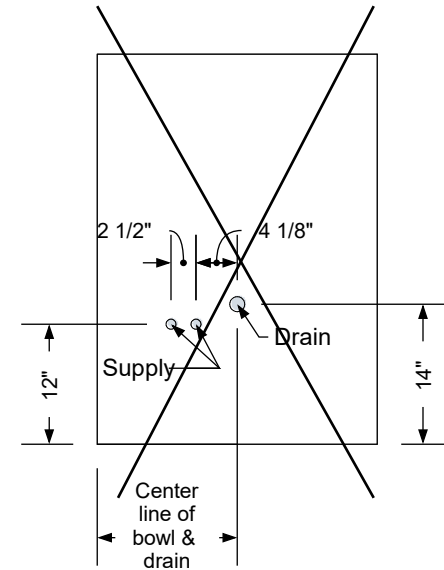


Standard Shampoo Bowl



T100 w/ Tilting Shampoo Bowl

Note: Lift Lid Must Be Reduced In Size To Use This Option.



K100 Adjust-A-Sink Shampoo Bowl

Note: Lift Lid Must Be Reduced In Size To Use This Option.


Typical Collins Shampoo Bowl Options

Additional Information

Assembly required - yes
 Electrical required - yes
 Plumbing required - yes
 Wall blocking required - yes
 COM yardage/laminate usage - 152 sf
 5 1/2" h tapered aluminum legs
 Other (specify) - n/a
 Other (specify) - n/a

Specification Drawing

This **Specification Drawing** is intended for communicating the basic description, function, appearance, dimensions, features, and installation of an item as manufactured by Collins Manufacturing Company. Because this drawing does not contain project specific information such as quantities, finishes, or options, it is not an approval drawing and does not require a signature. This drawing remains the property of Collins Manufacturing Company and must not be used against the interests of Collins Manufacturing Company.

		Collins Manufacturing	
		2000 Bowser Road Cookeville, TN 38506	
Title: Brentwood Barber Station			
Size: NTS	Part Number: 5575-72	Drawn By: Eng	
Prepared Date: 4/29/21	Revision Date: Date	Revision Number: Rev #	Sheet: 3 of 3