



LACARTE 68A BARBER STATION

SKU:68A

Utilize your barber shop space to the fullest with this beautiful cabinet configuration. Made with our Modular Storage Barber pieces, this unit works great in any space.

The LaCarte Barber Station is the ultimate storage for your barbershop. It includes a shampoo bowl, two UV sterilizer drawers, a bottle well and two sterilizer jar wells for easy cleaning. Extra outlets are integrated in the front for easy access for your electric tools.



TECHNICAL INFORMATION

- Measures: 72"W x 22"D x 39"H
- 6813 Barber cabinet
- 6811 Anchor cabinet
- CB80 bowl
- 6815 towel cabinet
- 36" x 72" mirror ordered separately

SHIPPING INFORMATION

Item generally ships via Freight(Truck) service

- Weight: 447 lbs
- Dimensions: 84"L x 32"W x 48"H

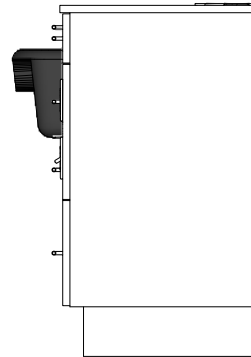
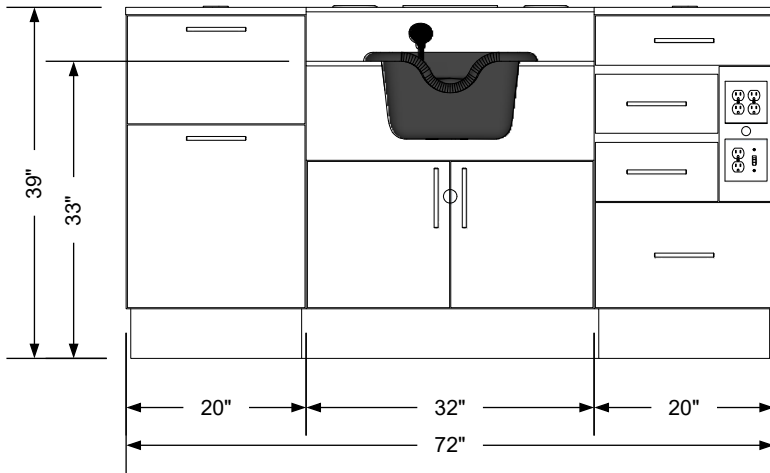
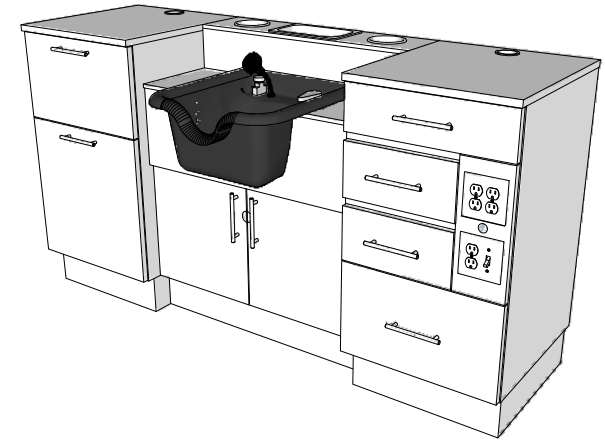
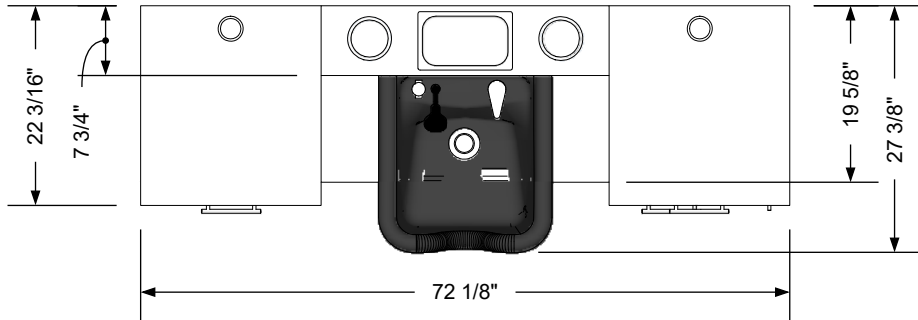
WARRANTY

3 Years:

- Ball-Bearing Drawer Slides
- Cabinet hinges

1 Year:

- All remaining components, unless noted otherwise, are guaranteed for a period of one year from the date of purchase.




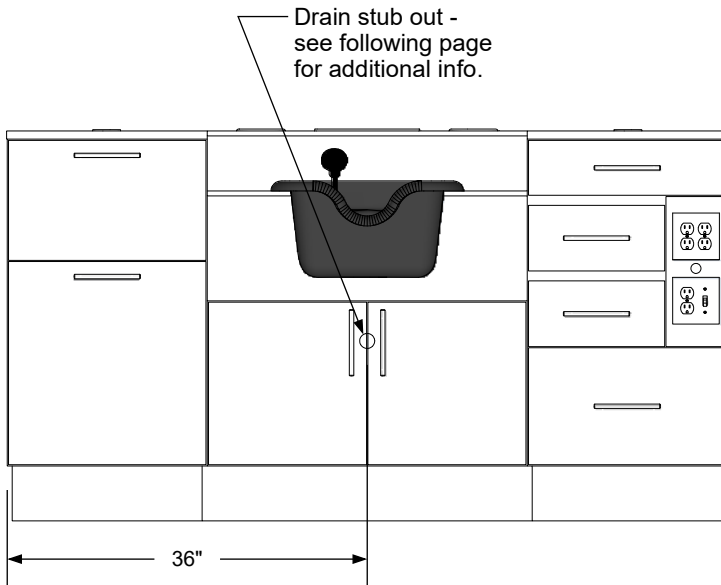
Additional Information

Assembly required - yes
 Electrical required - yes
 Plumbing required - yes
 Wall blocking required - no
 COM yardage/laminate usage - 68 sf
 5 1/2" h laminated toe + 1/4" h glides
 Other (specify) - n/a
 Other (specify) - n/a

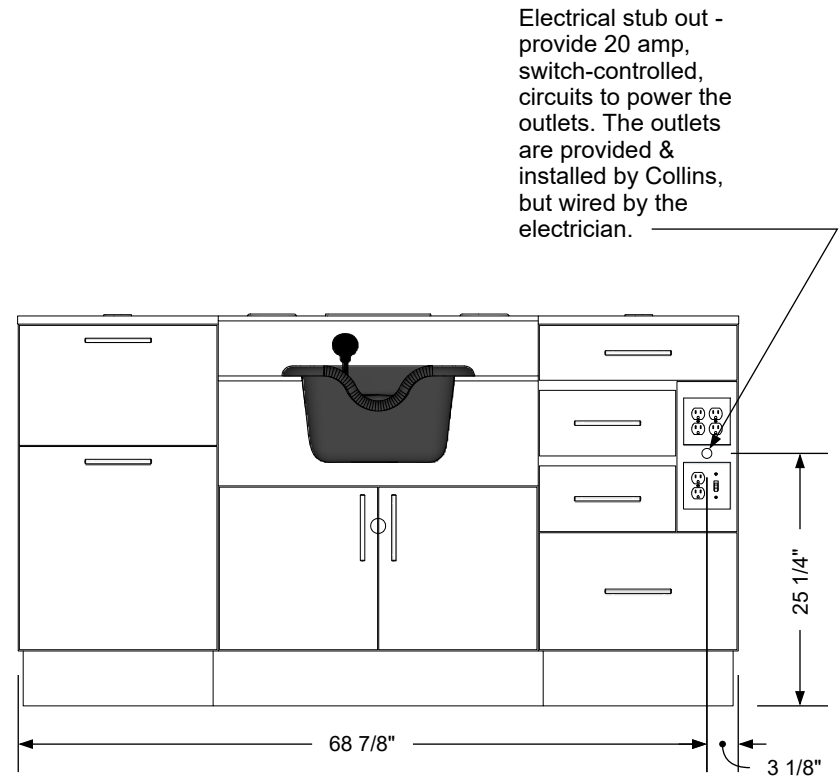
Specification Drawing

This **Specification Drawing** is intended for communicating the basic description, function, appearance, dimensions, features, and installation of an item as manufactured by Collins Manufacturing Company. Because this drawing does not contain project specific information such as quantities, finishes, or options, it is not an approval drawing and does not require a signature. This drawing remains the property of Collins Manufacturing Company and must not be used against the interests of Collins Manufacturing Company.

		Collins Manufacturing	
		2000 Bowser Road Cookeville, TN 38506	
Title: LaCarte 68A Barber Station			
Size: NTS	Part Number: 68A	Drawn By: Eng	
Prepared Date: 4/30/21	Revision Date: Date	Revision Number: Rev #	Sheet: 1 of 3



Plumbing stub out detail




Electrical stub out detail

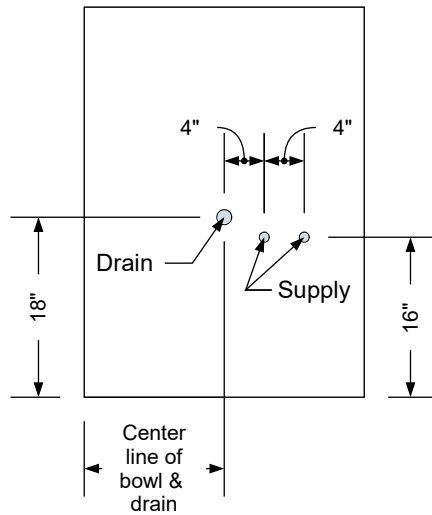
Additional Information

Assembly required - yes
 Electrical required - yes
 Plumbing required - yes
 Wall blocking required - no
 COM yardage/laminate usage - 68 sf
 5 1/2"h laminated toe + 1/4"h glides
 Other (specify) - n/a
 Other (specify) - n/a

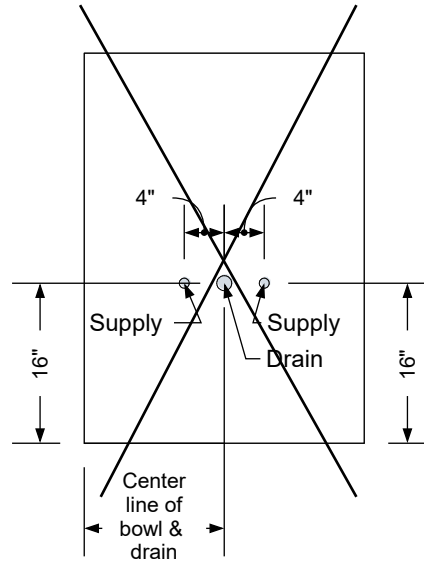
Specification Drawing

This **Specification Drawing** is intended for communicating the basic description, function, appearance, dimensions, features, and installation of an item as manufactured by Collins Manufacturing Company. Because this drawing does not contain project specific information such as quantities, finishes, or options, it is not an approval drawing and does not require a signature. This drawing remains the property of Collins Manufacturing Company and must not be used against the interests of Collins Manufacturing Company.

		Collins Manufacturing 2000 Bowser Road Cookeville, TN 38506	
		Title: LaCarte 68A Barber Station	
Size:	Part Number:	Drawn By:	
NTS	68A	Eng	
Prepared Date:	Revision Date:	Revision Number:	Sheet:
4/30/21	Date	Rev #	2 of 3

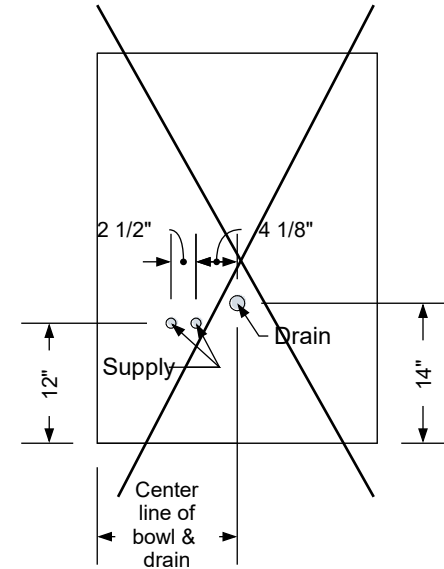


Standard Shampoo Bowl



T100 w/ Tilting Shampoo Bowl

Note: Lift Lid Must Be Reduced In Size To Use This Option.



K100 Adjust-A-Sink Shampoo Bowl

Note: Lift Lid Must Be Reduced In Size To Use This Option.

Typical Collins Shampoo Bowl Options

Additional Information

Assembly required - yes
 Electrical required - yes
 Plumbing required - yes
 Wall blocking required - no
 COM yardage/laminate usage - 68 sf
 5 1/2"h laminated toe + 1/4"h glides
 Other (specify) - n/a
 Other (specify) - n/a

Specification Drawing

This **Specification Drawing** is intended for communicating the basic description, function, appearance, dimensions, features, and installation of an item as manufactured by Collins Manufacturing Company. Because this drawing does not contain project specific information such as quantities, finishes, or options, it is not an approval drawing and does not require a signature. This drawing remains the property of Collins Manufacturing Company and must not be used against the interests of Collins Manufacturing Company.

		Collins Manufacturing 2000 Bowser Road Cookeville, TN 38506	
Title: LaCarte 68A Barber Station			
Size: NTS	Part Number: 68A	Drawn By: Eng	
Prepared Date: 4/30/21	Revision Date: Date	Revision Number: Rev #	Sheet: 3 of 3