



## MID-TOWN STYLING ISLAND

SKU:796-60

Our Mid-Town Styling Island is designed after some of NYC's most prominent skyscrapers in that area of the city.

Made for two back-to-back stylists, the angled ledge and wave mirror add a very eye-catching element. With its sleek lines and Art Deco inspired design, the Mid-Town Station is suitable for any salon or spa.

### TECHNICAL INFORMATION

---

- Measures: 60"W x 37"D x 93"H
- Two tapered cabinets
- Custom back-to-back framed mirror
- Angled ledges
- Cast aluminum legs
- 2 Drawers
- Fully equipped tool panel
  - Power strip
  - Elevated work surface

### SHIPPING INFORMATION

---

Item generally ships via Freight(Truck) service

- Weight: 320 lbs
- Dimensions: 84"L x 32"W x 50"H

### WARRANTY

---

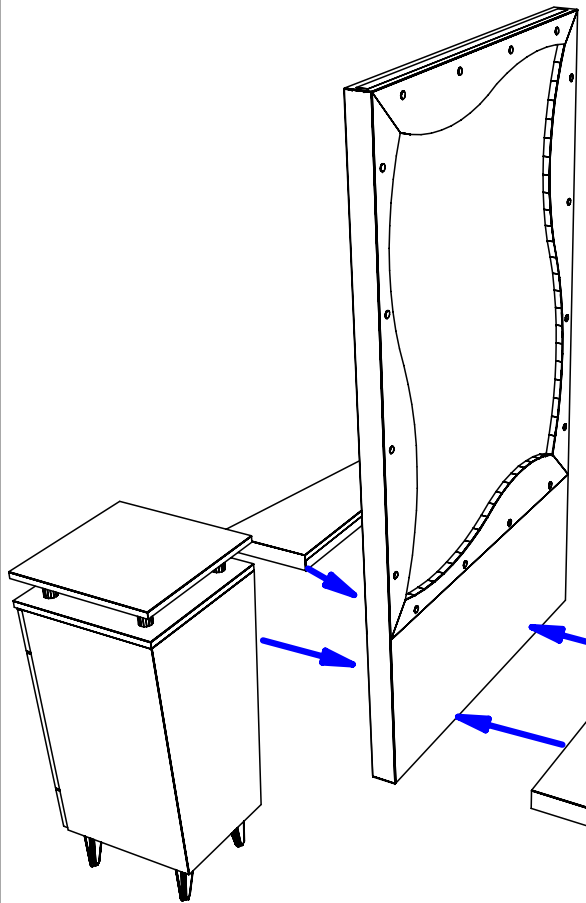
#### 3 Years:

- Ball-Bearing Drawer Slides
- Cabinet hinges

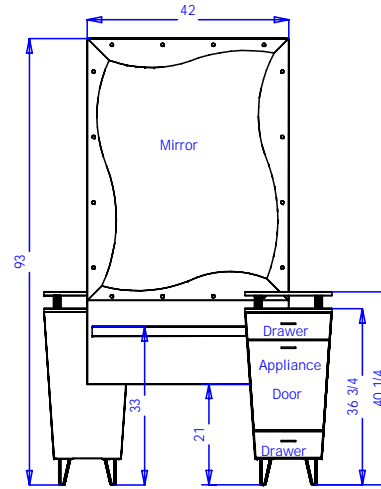
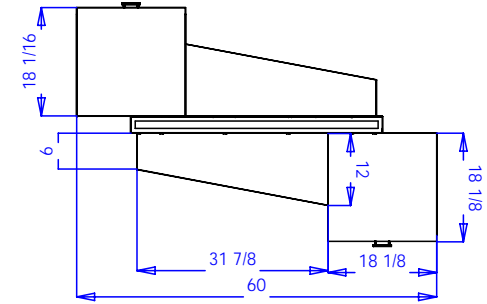
#### 1 Year:

- All remaining components, unless noted otherwise, are guaranteed for a period of one year from the date of purchase.

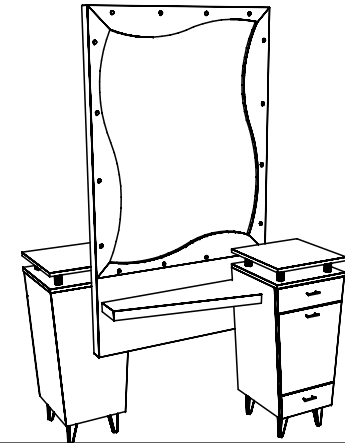




STEP 1. Remove drawers from interior cabinets (see diagram 8). Attach each cabinet to mirror frame with (4) 1 1/2" hex head bolts through interior of cabinets into t-nuts in the mirror frame. A spacer will be provided to set the mirror upon to attach to cabinet and set the height of mirror frame.



STEP 2. Mount each purse ledge to mirror frame with (3) 1 1/2" hex head bolts through ledge into t-nuts in the mirror frame. Then mount ledge to cabinet using (2) 1 1/2" hex head bolts through ledge into threaded inserts in cabinet.



A power strip is provided for each cabinet with a 4' grounded cord and (6) 15 amp outlets. Electrician is to cut outlet hole for cord and provide power supply.

Quantity - Quantity

Finish Schedule - 796-60-1

Face Color - Face Color  
 Top Color - Top Color  
 Toe Color - (Specify)  
 Pulls - Chrome Wire  
 Interior - White  
 Other (Specify) -

Installation Notes:

1. All hardware needed for assembly is included.
2. Large items are preassembled at the factory to ensure proper alignment. Items are then disassembled into manageable sections for shipping purposes and ease of reassembly.
3. Shipping cleats need to be removed before installation. These cleats are installed to prevent damage.

**collins** Collins Manufacturing  
 2000 Bowser Rd.  
 Cookeville TN 38506

Title: Customer Name

|                |             |                       |
|----------------|-------------|-----------------------|
| Size:          | #: SONumber | Drawn By:<br>Engineer |
| Date: 10/06/06 | Sheet #: 7  |                       |