



VANELLE II STYLING STATION

SKU:860-24

The Vanelle II Styling Station is a contemporary design with a stainless steel work surface and cast-aluminum legs. It's the perfect companion to our V-shaped Vanelle chair family.

TECHNICAL INFORMATION

- Measures: 25"W x 19"D x 42"H
- Durable stainless steel work surface
- Two drawers
- Tip-out tool panel
 - Blow dryer
 - Flat-iron
 - 1" Curling iron
 - 2" Curling iron
 - Clippers
 - Six-outlet power strip
- Black accent
- SPECIFY toe-kick base or tapered cast-aluminum legs at the time of order placement



SHIPPING INFORMATION

Item generally ships via Freight(Truck) service

- Weight: 176 lbs
- Dimensions: 30"L x 32"W x 48"H

WARRANTY

3 Years:

- Ball-Bearing Drawer Slides
- Cabinet hinges

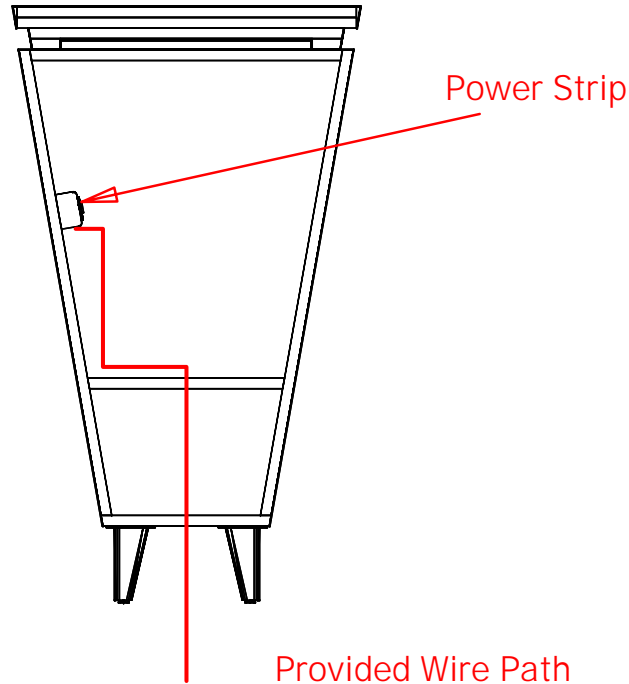
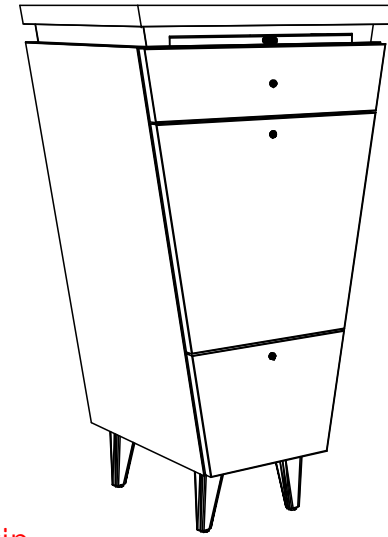
1 Year:

- All remaining components, unless noted otherwise, are guaranteed for a period of one year from the date of purchase.

This cabinet is shipped fully assembled.
No further assembly or installation is required.

All electrical work is to be performed by a licensed electrical contractor and to be performed in accordance with all applicable national, state, and local codes.

This item includes a six outlet power strip with a 4' cord. The outlet strip is rated at 15 amps. The electrician is responsible for providing and mounting an outlet inside the cabinet for the power strip to plug into. The electrician is also responsible for cutting an appropriate entry point for getting power into the cabinet.




Quantity -

Finish Schedule - 860-24

Face Color -
Top Color - Stainless Steel
Toe Color -
Reveal / Accent Color -
Hardware - Chrome Knobs
Interior -
Other (Specify) -

General Notes:

1. All counter tops are to be made removable wherever possible.
2. Items must be broken into manageable sections For Shipping. Mark For Ease Of Reassembly.
3. Install Shipping Cleats Wherever Possible To Prevent Shipping Damage.
4. Purchased items Must Be Trial Fit Before Shipping.

		Collins Manufacturing	
		2000 Bowser Road Cookeville, TN 38506	
Title:			
Size: NTS	Drawing Number: Job	Drawn By: Zane	
Date: 12/04/07	Sheet		5 of 5