



TANO PORTABLE WORK STATION

SKU:880-20



The ultimate portable storage styling station, the Tano can be set up wherever you want it to go. Simply roll it out, and you are ready to start!

The space saving design allows for optimal storage for your styling tools. Add our laminate options to match any decor and make it your own!

TECHNICAL INFORMATION

- Measures: 20"W x 20"D x 36"H
- 1 Utility drawer
- Two deep drawers
- Breadboard
- Casters
- Tilt-out tool panel
 - Blow dryer
 - Flat iron
 - 1 Large curling iron
 - Clippers
 - Six-outlet power strip

SHIPPING INFORMATION

Item generally ships via Freight(Truck) service

- Weight: 164 lbs
- Dimensions: 32"L x 30"W x 44"H

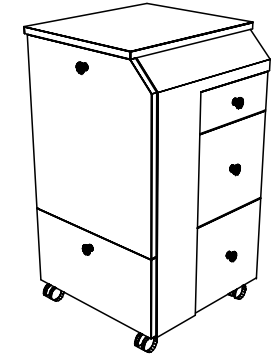
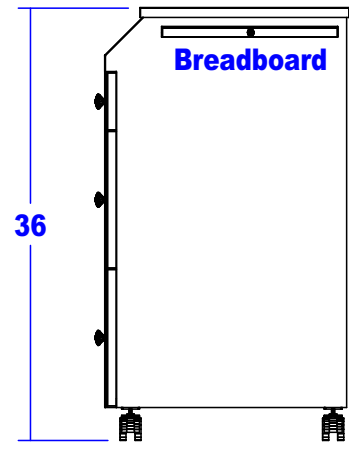
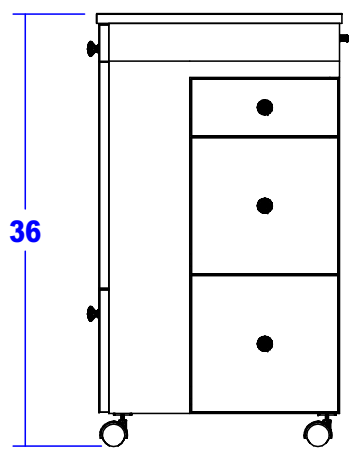
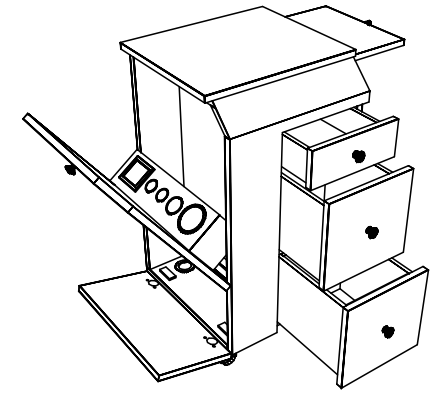
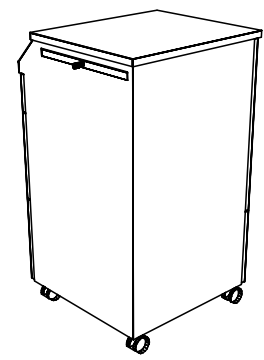
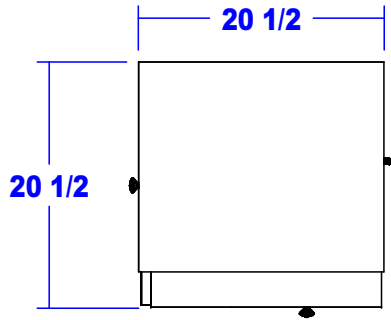
WARRANTY

3 Years:

- Ball-Bearing Drawer Slides
- Cabinet hinges

1 Year:

- All remaining components, unless noted otherwise, are guaranteed for a period of one year from the date of purchase.



The Tano ships fully assembled from the factory.

Finish Schedule -
Face Color -
Top Color -
Toe Color -
Reveal / Accent Color -
Hardware -
Interior -
Other (Specify) -

Preliminary
Not For Construction

This drawing is the property of Collins Manufacturing Company and is protected under copyright law.

Collins Manufacturing 2000 Bowser Road Cookeville, TN 38506		
Title: 888 880-20 Tano Portable		
Size: NTS	Drawing Number: Job	Drawn By:
Date:	Sheet	