



BRADFORD TOWER (ONLY) STATION

SKU:910-20

With the Bradford Styling Tower Station you can design the perfect space. Create a classic and stylish accent in your salon with crown molding details that enrich the space by forming an eye-catching transition between the walls and ceiling. This traditional style can fit into any decor with just the change of the laminate color.

The Bradford Tower Station ONLY features an upper-half that can be open retail w/ glass shelves or closed cabinet w/ doors & shelves; specify at time of order.

TECHNICAL INFORMATION

- Measures: 20"W x 18"D x 90"H
- Pull-out breadboard
- Shear & brush drawer
- Fully equipped tip-out tool panel
- 6 outlet power strip
- Upper storage cabinet w/ 2 adj. shelves
- Custom molding
- Pictured Ledge & Framed Mirror ordered separately.

SHIPPING INFORMATION

Item generally ships via Freight(Truck) service

- Weight: 288 lbs
- Dimensions: 54"L x 32"W x 57"H

WARRANTY

3 Years:

- Ball-Bearing Drawer Slides
- Cabinet hinges

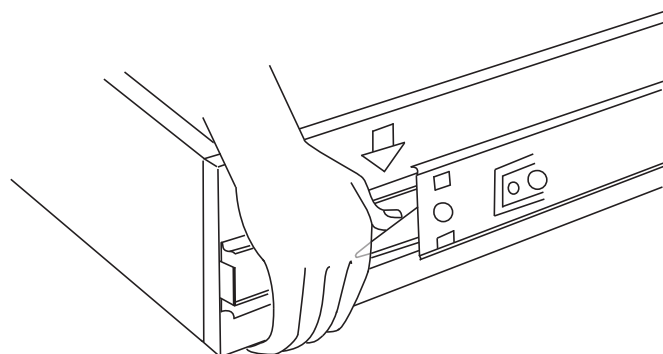
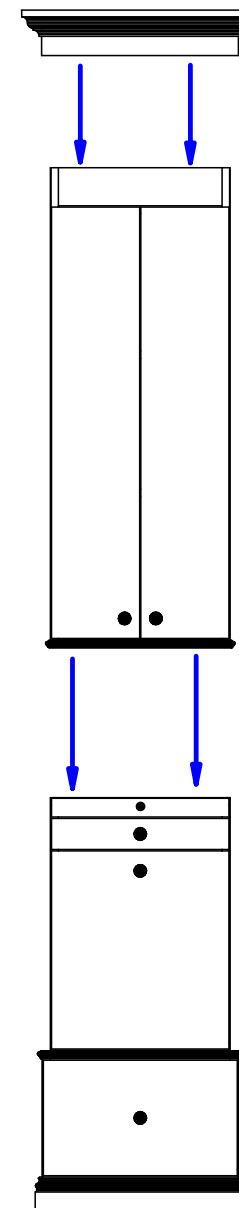
1 Year:

- All remaining components, unless noted otherwise, are guaranteed for a period of one year from the date of purchase.



Use the following procedure to assemble your Bradford Tower.

- 1) Unpack all components, you should receive 4 pieces.
- 2) Remove the clipper drawer by following the instructions in the illustration. Also extend the breadboard as far as possible. Lower the upper cabinet onto the lower assembly. There are 4 supplied decorative bolts that pass through pre-drilled holes in the top of the base and into the factory installed threaded inserts in the bottom of the upper cabinet. Use the supplied allen wrench to tighten these bolts securing both sub assemblies.
- 3) Use the supplied 3" wood screws to attach the tower to a framed wall.
- 4) Lower the crown molding cap onto the upper cabinet assembly. Use the provided wood screws to attach the two, there are 4 predrilled holes in the top of the crown assembly for ease of attachment.
- 5) To install appliance center, lower onto french cleat half already screwed to the tilt out door. Use the supplied screws to screw through the side of the appliance center into the door half of the french cleat.

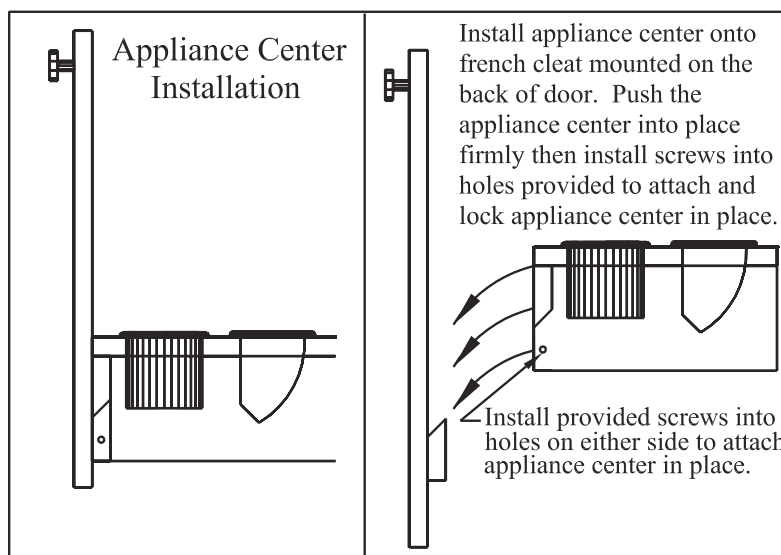


To Remove Drawer

Pull the drawer fully open so levers are visible.
 Push "down" on the right lever (shown), and "up" on the left lever.
 Holding levers in place, pull drawer toward you.

To Reinsert Drawer

Bring ball retainer fully forward and carefully reinsert drawer member slide into the cabinet member slide, guiding the drawer member raceway between the ball bearings.
 Completely close drawer.
 Open and close drawer to ensure the slide is fully engaged into the ball bearing track.



Quantity -

Finish Schedule - 910-20

Face Color -
 Top Color -
 Toe Color -
 Reveal / Accent Color -
 Hardware -
 Interior - Black Melamine
 Other (Specify) -

General Notes:

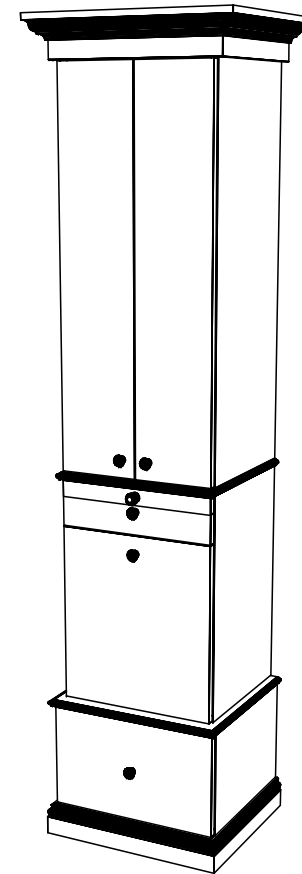
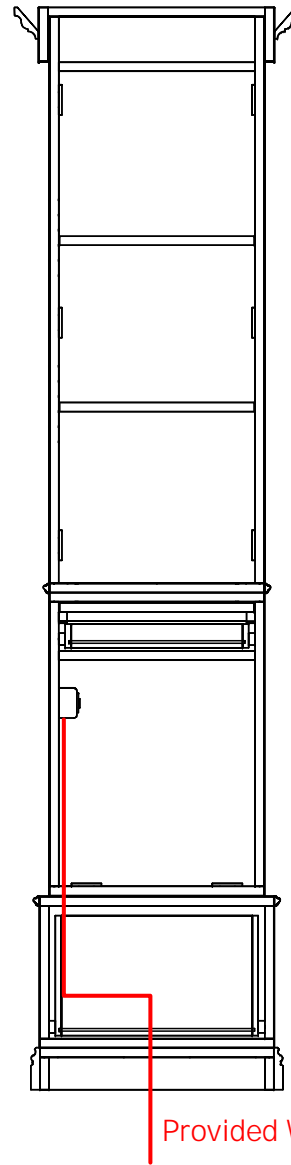
1. All counter tops are to be made removable wherever possible.
2. Items must be broken into manageable sections For Shipping. Mark For Ease Of Reassembly.
3. Install Shipping Cleats Wherever Possible To Prevent Shipping Damage.
4. Purchased items Must Be Trial Fit Before Shipping.

collins Collins Manufacturing
 2000 Bowser Road
 Cookeville, TN 38506

Title:		
Size: NTS	Drawing Number: Job	Drawn By: Zane
Date: 12/05/07	Sheet 6 of 7	

This item includes a six outlet power strip with a 4' cord. The outlet strip is rated at 15 amps. The electrician is responsible for providing and mounting an outlet inside the cabinet for the power strip to plug into. The electrician is also responsible for cutting an appropriate entry point for getting power into the cabinet.

All electrical work is to be performed by a licensed electrical contractor and to be performed in accordance with all applicable national, state, and local codes.



Quantity -

Finish Schedule - 910-20
Face Color -
Top Color -
Toe Color -
Reveal / Accent Color -
Hardware -
Interior - Black Melamine
Other (Specify) -

General Notes:

1. All counter tops are to be made removable wherever possible.
2. Items must be broken into manageable sections For Shipping. Mark For Ease Of Reassembly.
3. Install Shipping Cleats Wherever Possible To Prevent Shipping Damage.
4. Purchased items Must Be Trial Fit Before Shipping.

collins Collins Manufacturing 2000 Bowser Road Cookeville, TN 38506		
Title:		
Size: NTS	Drawing Number: Job	Drawn By: Zane
Date: 12/05/07	Sheet 7 of 7	