



AMATI 360 STYLING STATION

SKU:942-36

The Amati 360 Styling Station has a rotating mirror with hidden storage and is perfect for keeping your area tidy and having everything you need at your fingertips. With clean lines and smart design, this rotating vanity is purely practical.

TECHNICAL INFORMATION

- Measures: 36"W x 15"D x 84"H
- Rotating mirror assembly
- Three easy access shelves behind mirror
- 22" Pullout breadboard
- Three storage drawers
- Fully equipped tip-out tool panel w/ power strip

SHIPPING INFORMATION

Item generally ships via Freight(Truck) service

- Weight: 370 lbs
- Dimensions: 2 skids

WARRANTY

3 Years:

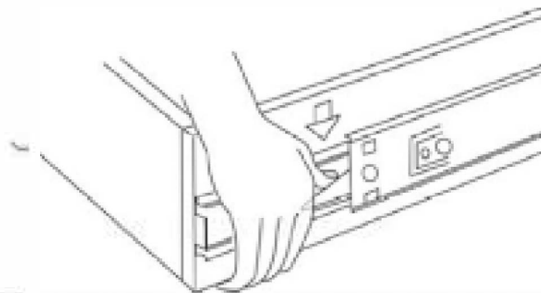
- Ball-Bearing Drawer Slides
- Cabinet hinges

1 Year:

- All remaining components, unless noted otherwise, are guaranteed for a period of one year from the date of purchase.



1. Set bottom section in place and screw to wall. (see illustration)
2. Remove drawers and breadboard from lower section. (see illustration)
3. Carefully place upper section on top of lower section and line up with pre-drilled holes.
4. Use provided 1 1/4" decorative bolts to attach upper section by bolting through top of lower section.
5. Screw upper section to wall and reinstall drawers and breadboard.



To Remove Drawers

- Pull the drawer fully open to clear the ball.
- Lift the drawer up on the right (left) and pull out on the left (right).
- Hold the drawer in place as the drawer is moved out.

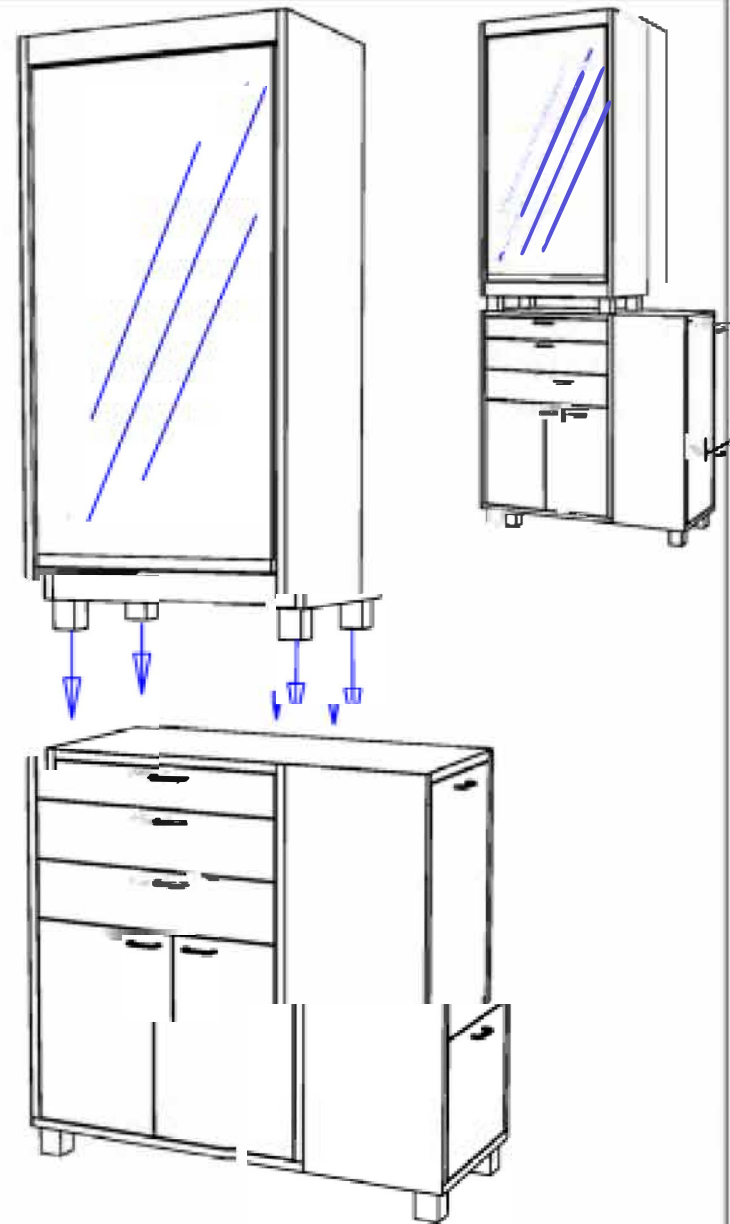
To Reinsert Drawer

- Bring ball retainer fully forward and carefully insert drawer member slide into the cabinet member slide, guiding the drawer member raceway between the ball bearings.
- Completely close drawer.
- Open and close drawer to ensure the slide is fully engaged into the ball bearing track.

Cabinets should be attached to wood framed walls by screwing through the interior back panel into wall studs or blocking. Fasteners for wood framed walls are provided. The fasteners for other wall types are not provided.

3" wood screw
beauty washer

Attaching Cabinet to Wall



Finish Schedule 942-36

- Face Color -
- Top Color -
- Toe Color -
- Reveal / Accent Color -
- Hardware - Amati Pulls
- Interior - Black Melamine
- Other (Specify)

collins Collins Manufacturing
2000 Bowser Road
Cookeville, TN 38506

Assembly Instructions

size nts **942-36-1** Drawn by:
Brian

Date: 06/22/07