



## ENOVA AR TALL STYLING VANITY

SKU:965-18

From the Enova collection, this modern Styling Vanity with Retail includes all your favorite features you need for styling. The vanity includes two glass shelves to showcase your retail items and help increase sales. The beautiful steel sides extend to the floor for a dramatic look.

Pictured with the Enova AR Mirror assembly #962-30, ordered separately.



### TECHNICAL INFORMATION

- Measures: 18"W x 15"D x 84"H
- Four rectangular-steel sides
- Fully equipped 963-18 AR styling vanity
- Two glass retail shelves
- Upper soffit with light
  - Light must be wired & switched on site.
- Pictured 962-30 Enova AR Mirror assembly, ordered separately

### SHIPPING INFORMATION

Item generally ships via Freight(Truck) service

- Weight: 220 lbs
- Dimensions: 48"L x 32"W x 56"H

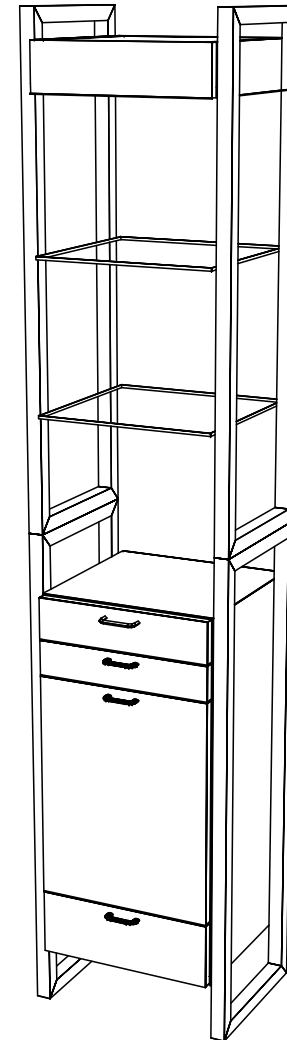
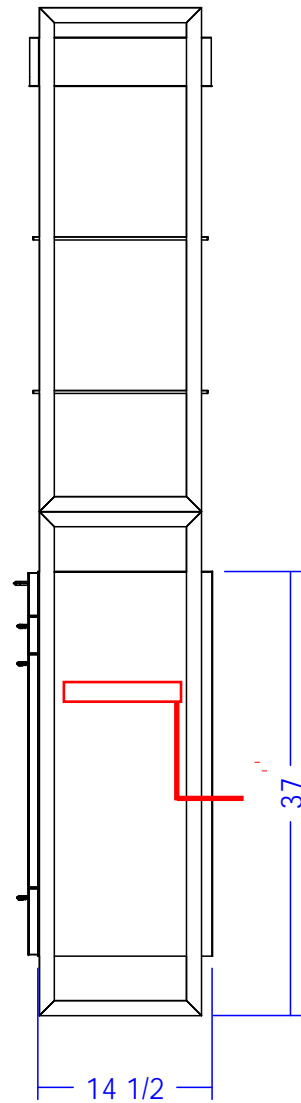
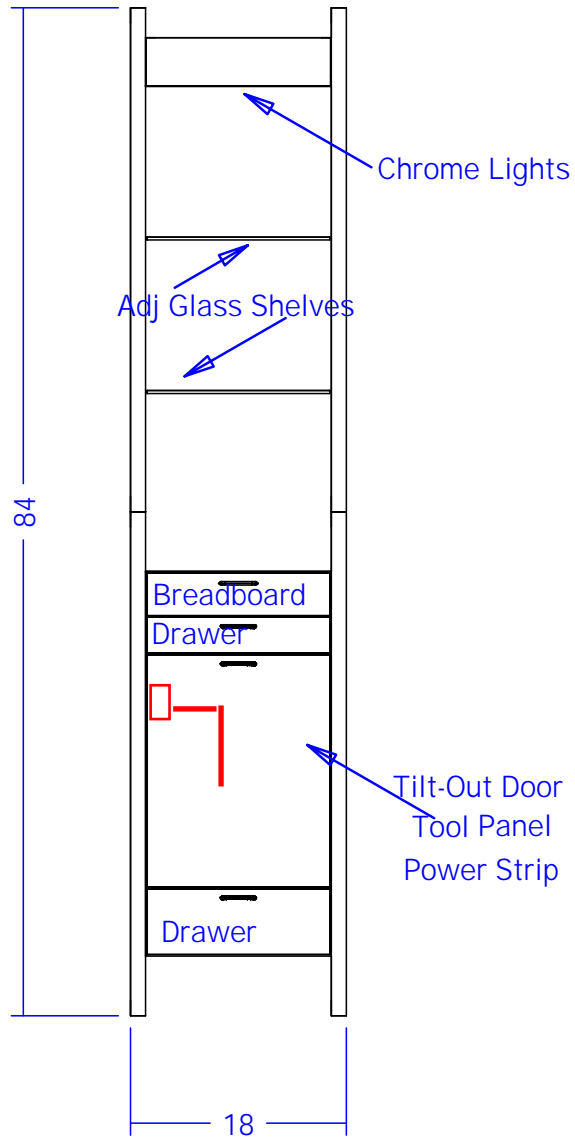
### WARRANTY

#### 3 Years:

- Ball-Bearing Drawer Slides
- Cabinet hinges

#### 1 Year:

- All remaining components, unless noted otherwise, are guaranteed for a period of one year from the date of purchase.



**ELECTRICAL IN RED**

**Preliminary  
Not For Construction**

This drawing is the property of Collins Manufacturing Company and is protected under copyright law.

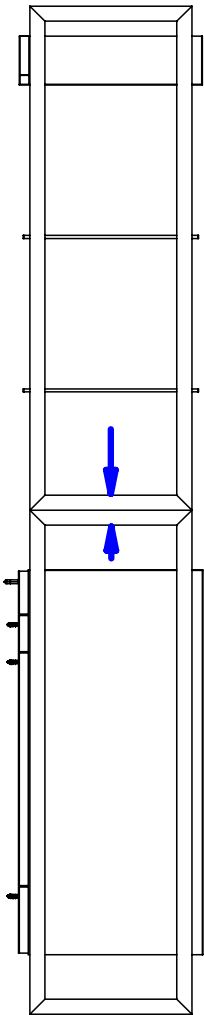
<b>Finish Schedule - 965-18-1</b>
Face Color - Black
Top Color - Black
Toe Color - Silver Steel
Reveal / Accent Color - Silver Steel
Hardware - Enova Pulls
Interior - Black
Other (Specify) -

This drawing represents Collins Manufacturing Company's understanding of the desired item as was previously priced & ordered. Your signature indicates you have reviewed the drawing; and your approval will authorize Collins to initiate the acquisition of materials & subsequent production. More than modest changes may affect the price and/or manufacturing lead time.

Approved as drawn.  
 Approved w/ changes noted.  
 Not approved - re-submit.

Signature \_\_\_\_\_  
 Company \_\_\_\_\_ Date \_\_\_\_\_

Collins Manufacturing 2000 Bowser Road Cookeville, TN 38506		
<b>Title: 965-18 Tall Vanity</b>		
Size: NTS	Drawing Number: 74647	Drawn By: Zane
Date:	Sheet	

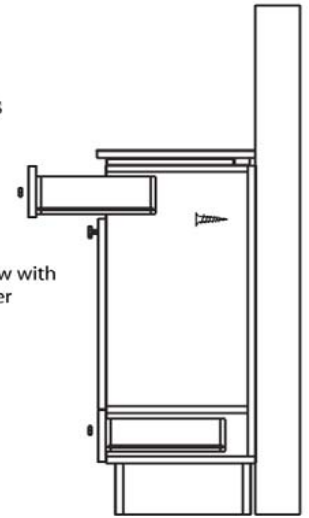


Use the following procedure to properly assemble and mount the cabinets:

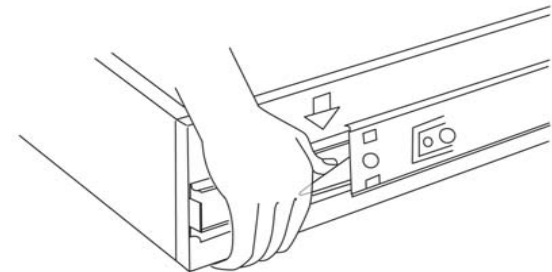
- 1) Follow the procedure in the lower right diagram to remove the breadboard and upper drawer from the lower cabinet assembly.
- 2) Place the lower cabinet assembly as desired against a framed wall. Use the 3" screws and finish washers to attach the cabinet to the wall as illustrated in the above right picture.
- 3) With the lower cabinet now securely in place, carefully lift the upper assembly WITHOUT glass shelves installed and place on top of lower assembly. Pass the provided connector bolts downward through the holes in the upper assembly and into the holes in the lower assembly. Begin threading the female end of the connector bolt and tighten with the supplied 5mm allen wrench.

Cabinets should be attached to wood framed walls by screwing through the interior back panel into wall studs or blocking. Fasteners for wood framed walls are provided. The fasteners for other wall types are not provided.

3" wood screw with beauty washer



### Attaching Cabinet to Wall



#### To Remove Drawer

Pull the drawer fully open so levers are visible. Push "down" on the right lever (shown), and "up" on the left lever. Holding levers in place, pull drawer toward you.

#### To Reinsert Drawer

Bring ball retainer fully forward and carefully reinsert drawer member slide into the cabinet member slide, guiding the drawer member raceway between the ball bearings. Completely close drawer. Open and close drawer to ensure the slide is fully engaged into the ball bearing track.

### Finish Schedule - 965-18-1

Face Color -  
 Top Color -  
 Toe Color - Silver Steel  
 Reveal / Accent Color - Silver Steel  
 Hardware - Enova Pulls  
 Interior - Black  
 Other (Specify) -

### General Notes:

1. All counter tops are to be made removable wherever possible.
2. Items must be broken into manageable sections for shipping. Mark for ease of reassembly.
3. Install shipping cleats wherever possible to prevent shipping damage.
4. Purchased items must be trial fit before shipping.



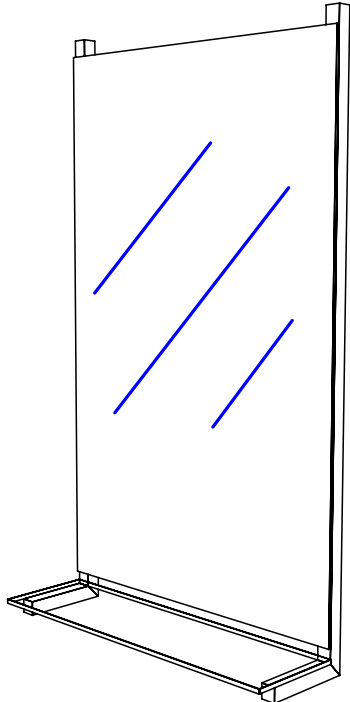
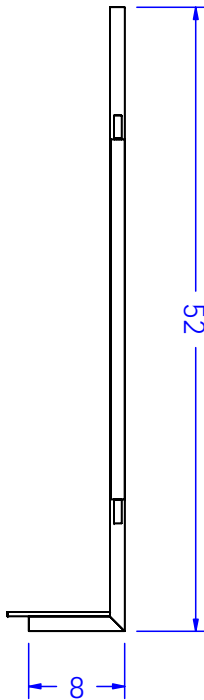
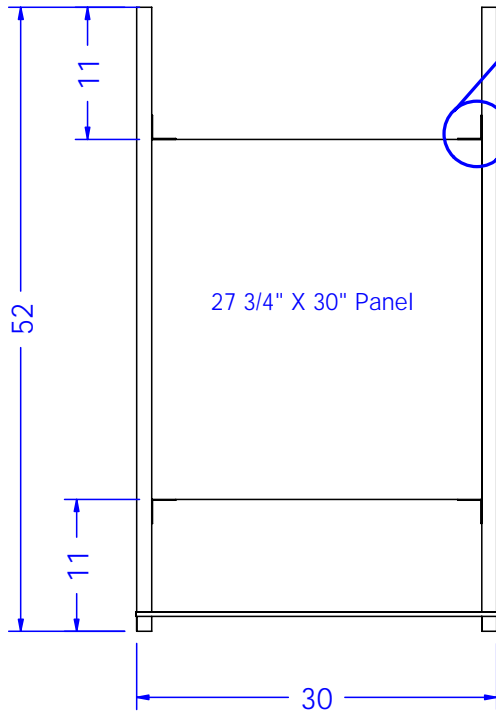
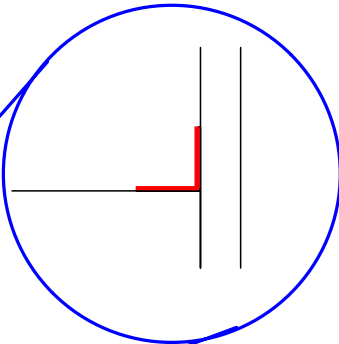
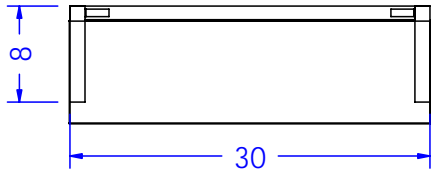
Collins Manufacturing  
 2000 Bowser Road  
 Cookeville, TN 38506

Title: **965-18 Installation**

Size: NTS	Drawing Number: Job	Drawn By:
Date: 10/11/07	Sheet	6 of 6

To Assemble Mirror Frame:

- 1) Unit will ship in 3 pieces (left, right and center panel).
- 2) Use provided screws to attach panel to L/R metal pieces by passing through the "L" brackets that ship attached to the panel.
- 3) Once assembled, screw frame to wall using supplied 3" wood screws and finish washers through the center panel.
- 4) Mirror clips will arrive pre-attached. To install mirror set the lower portion of the mirror into the lower clips then lift the upper clips and seat mirror, finally lower the upper clips to lock the mirror in place.



<b>Finish Schedule -</b>
Face Color -
Top Color -
Toe Color -
Reveal / Accent Color -
Hardware -
Interior -
Other (Specify) -

<b>General Notes:</b>
1. All counter tops are to be made removable wherever possible.
2. Items must be broken into manageable sections For Shipping. Mark For Ease Of Reassembly.
3. Install Shipping Cleats Wherever Possible To Prevent Shipping Damage.
4. Purchased items Must Be Trial Fit Before Shipping.

Collins Manufacturing 2000 Bowser Road Cookeville, TN 38506		
Title: <b>962-30 Installation</b>		
Size:	Drawing Number:	Drawn By:
Date:	Sheet	