



BRADFORD L-SHAPED DESK

SKU:913-66



With the Bradford L-Shaped Reception Desk you can design the perfect space. Create a classic and stylish accent in your salon or spa with crown molding details that enrich the space by forming an eye-catching transition between the walls and floor. The Wainscoting and Queen Anne legs detail make this a timeless piece that will not go out of style. This traditional style can fit into any decor with just the change of the laminate color.

TECHNICAL INFORMATION

- Measures: 66"W x 60"W x 25"D x 43"H
- Queen Anne legs
- Raised panels
- Crown molding
- Accent molding
- 3 Drawer
- 3 Storage cabinets
- Optional - Claw & Ball legs w/ Dentil molding in lieu of Queen Anne legs

SHIPPING INFORMATION

Item generally ships via Freight(Truck) service

- Weight: 750 lbs
- Dimensions: 2 skids

WARRANTY

3 Years:

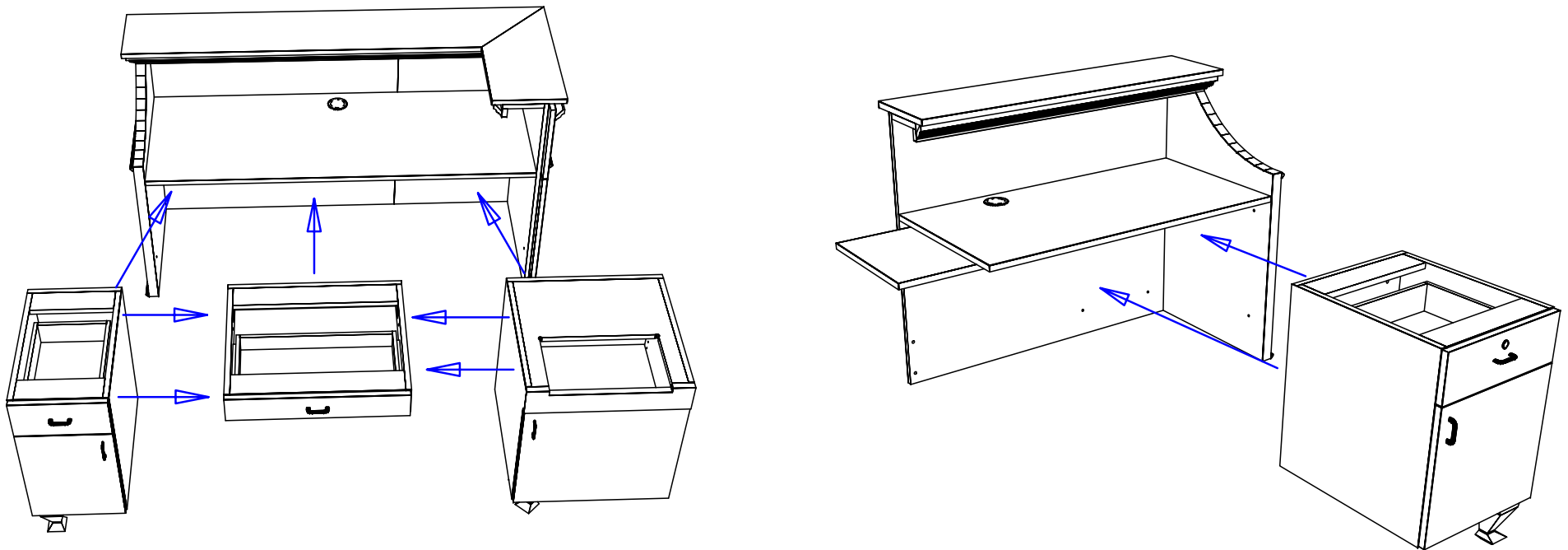
- Ball-Bearing Drawer Slides
- Cabinet hinges

1 Year:

- All remaining components, unless noted otherwise, are guaranteed for a period of one year from the date of purchase.



Remove doors and drawers to allow for easier access to the interior of cabinets. Slide interior cabinets into the outer shell. Cabinets are attached to shell by bolting through the interior back, sides and tops of cabinets. Use the provided 1 1/4" decorative bolts.




Quantity -

Finish Schedule - 913-66-1

Face Color -
 Top Color -
 Toe Color -
 Reveal / Accent Color -
 Hardware -
 Interior -
 Other (Specify) -

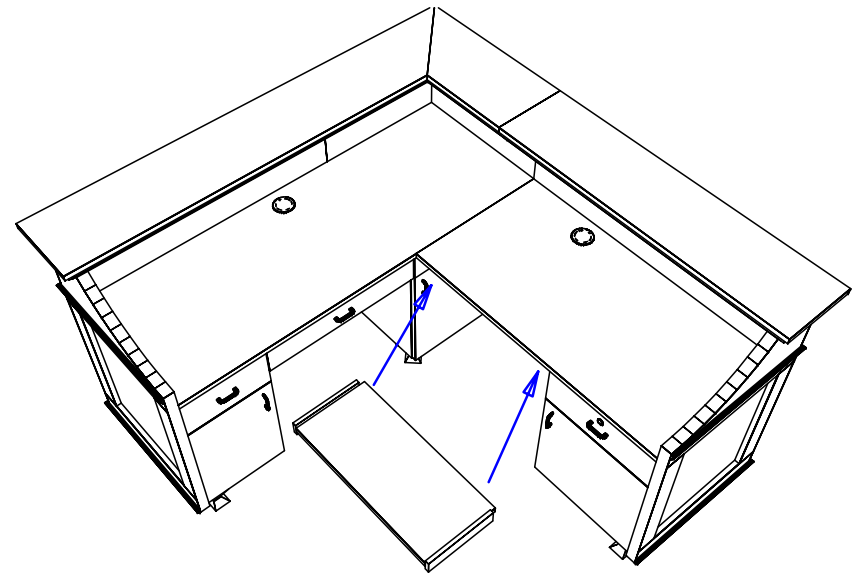
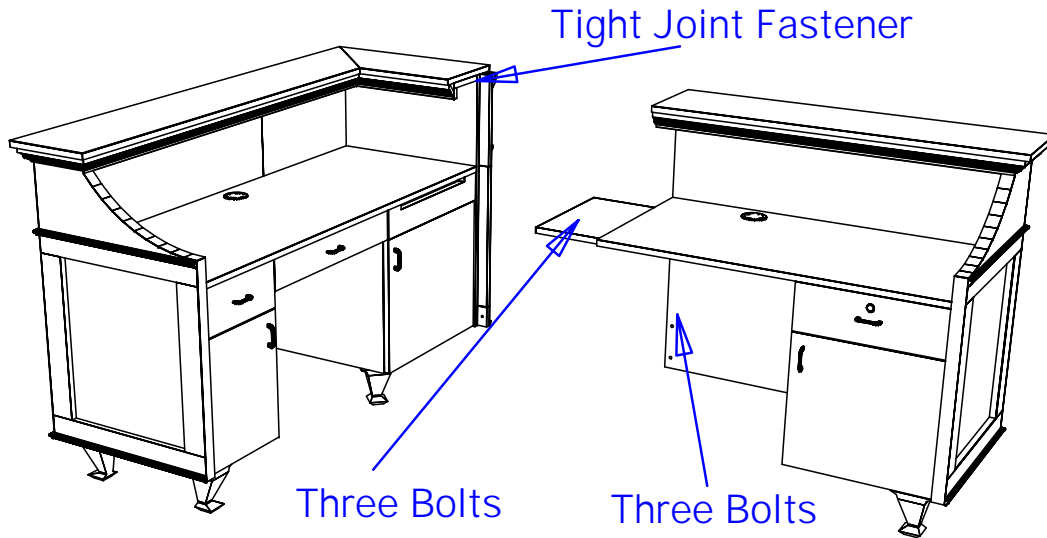
General Notes:

1. All counter tops are to be made removable wherever possible.
2. Items must be broken into manageable sections For Shipping. Mark For Ease Of Reassembly.
3. Install Shipping Cleats Wherever Possible To Prevent Shipping Damage.
4. Purchased items Must Be Trial Fit Before Shipping.

 Collins Manufacturing 2000 Bowser Road Cookeville, TN 38506			
			Title:
Size:	Drawing Number:	Drawn By:	
Date:	Sheet		

Carefully slide the two assemblies together. Secure together by using the provided 1 1/4" decorative bolts. Bolt through the predrilled holes. Use the provided tight joint fastener to pull the check ledge together.

Install the keyboard tray into the preinstalled tracks. Re-install all doors and drawers.




Quantity -

Finish Schedule - 913-66-1

Face Color -
 Top Color -
 Toe Color -
 Reveal / Accent Color -
 Hardware -
 Interior -
 Other (Specify) -

General Notes:

1. All counter tops are to be made removable wherever possible.
2. Items must be broken into manageable sections for shipping. Mark for ease of reassembly.
3. Install shipping cleats wherever possible to prevent shipping damage.
4. Purchased items must be trial fit before shipping.

 Collins Manufacturing 2000 Bowser Road Cookeville, TN 38506		Title:	
		Size:	Drawing Number:
Date:		Sheet	