



## AMATI GALILEO DESK

SKU:931-74

Bring an element of the modern and minimalist style to your salon with our Amati Galileo Desk. Featuring geometric design and elegant Amati steel legs, this reception desk has a sleek, modern look that will bring sophistication to any room.

### TECHNICAL INFORMATION

---

- Measures: 74"W x 24"D x 42"H
- Locking drawer w/ cash till
- Utility drawer
- 2 Storage cabinets
- Amati steel legs & accents
- Ample work surface

### SHIPPING INFORMATION

---

Item generally ships via Freight(Truck) service

- Weight: 411 lbs
- Dimensions: 54"L x 32"W x 50"H

### WARRANTY

---

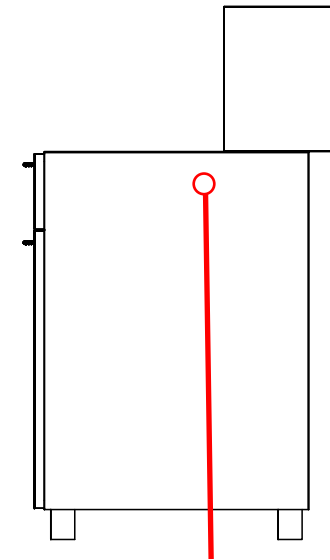
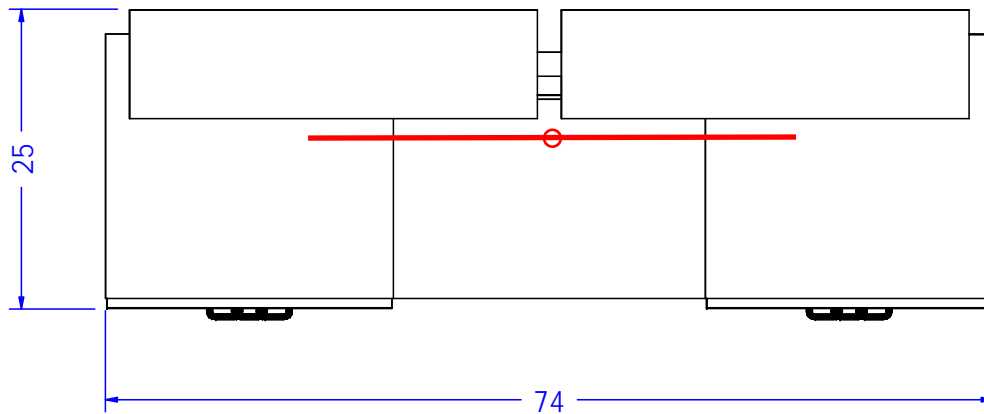
#### 3 Years:

- Ball-Bearing Drawer Slides
- Cabinet hinges

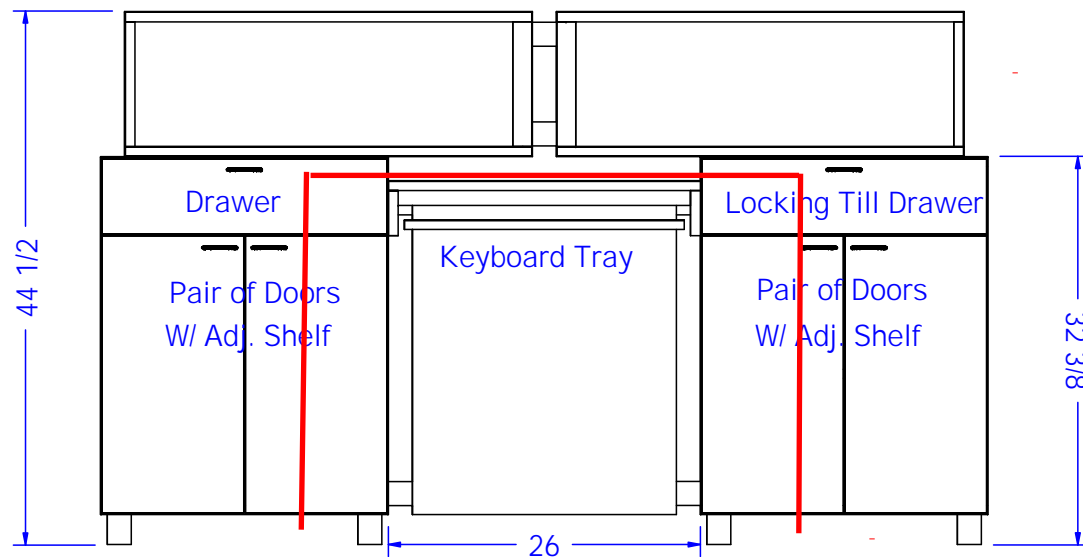
#### 1 Year:

- All remaining components, unless noted otherwise, are guaranteed for a period of one year from the date of purchase.





Desk includes 5 wire grommets with anticipated wiring path shown in RED.



**Preliminary  
Not For Construction**

This drawing is the property of Collins Manufacturing Company and is protected under copyright law.


**Finish Schedule - 931-74-1**

Face Color - Cafelle  
 Top Color - Cafelle  
 Toe Color - Silver Amati Legs  
 Reveal / Accent Color - Satin Stainless  
 Hardware - Amati Pulls  
 Interior - Black  
 Other (Specify) - Silver Steel

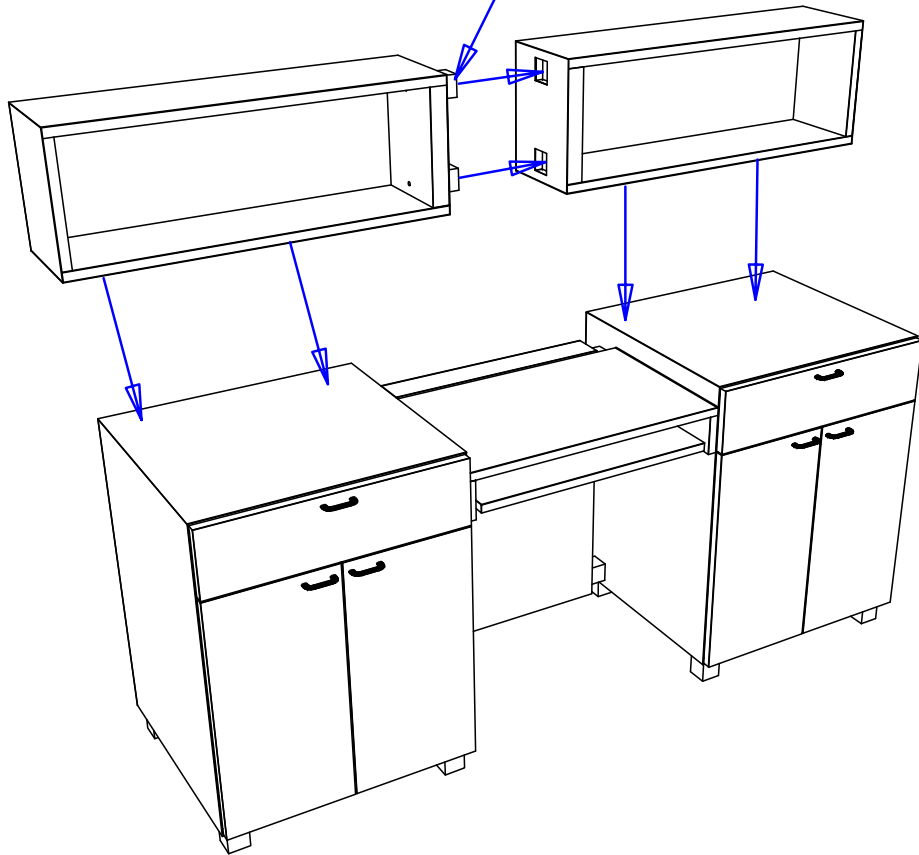
This drawing represents Collins Manufacturing Company's understanding of the desired item as was previously priced & ordered. Your signature indicates you have reviewed the drawing; and your approval will authorize Collins to initiate the acquisition of materials & subsequent production. More than modest changes may affect the price and/or manufacturing lead time.

- Approved as drawn.
- Approved w/ changes noted.
- Not approved - re-submit.

Signature \_\_\_\_\_  
 Company \_\_\_\_\_ Date \_\_\_\_\_

 Collins Manufacturing 2000 Bowser Road Cookeville, TN 38506		
Title: <b>931-74 Amati Galielo Desk</b>		
Size: <b>NTS</b>	Drawing Number: <b>72140</b>	Drawn By: <b>Zane</b>
Date: _____		Sheet _____

3 9/16" x 2" x 2" Metal




Use the provided 1 1/4" Decorative bolts to bolt the upper cabinets to each other. Do not tighten the bolts. Use the Provided 1 1/4" hex bolts and washers to bolt through the interior top of the base cabinets into the bottom of the upper cabinets. Once all bolts have been started go back and firmly tighten the bolts.

### Finish Schedule - 931-74-1

Face Color - Cafelle  
Top Color - Cafelle  
Toe Color - Silver Amati Legs  
Reveal / Accent Color - Satin Stainless  
Hardware - Amati Pulls  
Interior - Black  
Other (Specify) - Siver Steel

### General Notes:

1. All counter tops are to be made removable wherever possible.
2. Items must be broken into managable sections For Shipping. Mark For Ease Of Reassembly.
3. Install Shipping Cleats Wherever Possible To Prevent Shipping Damage.
4. Purchased items Must Be Trial Fit Before Shipping.

			Collins Manufacturing 2000 Bowser Road Cookeville, TN 38506
Title:			<b>931-74 Desk Assembly</b>
Size:	Drawing Number:	Drawn By:	
NTS	72140	Zane	
Date:			Sheet