



ENOVA DUE STANDING DESK

SKU:951-48

The Enova Due Standing desk blends contemporary style with elegant simplicity. The minimalist design features tubular steel legs and a glass shelf, which provide the ultimate in durability and strength.

TECHNICAL INFORMATION

- Measures: 48"W x 24"D x 42"H
- Tubular-steel legs
- 30"W x 8"D x 3/8" glass customer ledge
- Locking drawer w/ cash till
- 2 Utility drawers
- 3 Storage cabinets

SHIPPING INFORMATION

Item generally ships via Freight(Truck) service

- Weight: 290 lbs
- Dimensions: 54"L x 32"W x 54"H

WARRANTY

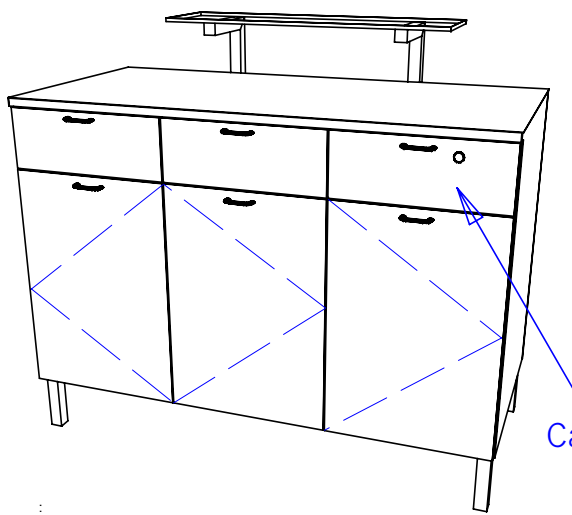
3 Years:

- Ball-Bearing Drawer Slides
- Cabinet hinges

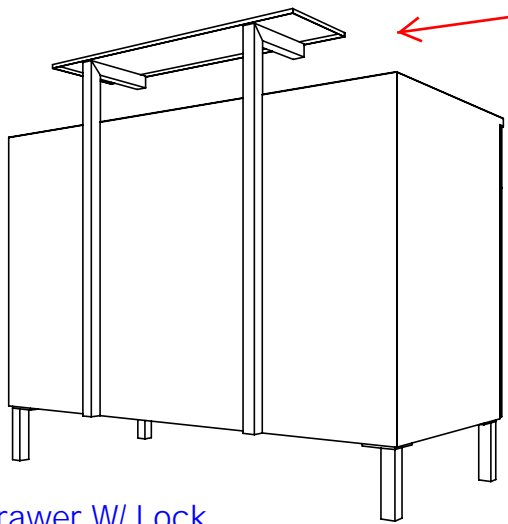
1 Year:

- All remaining components, unless noted otherwise, are guaranteed for a period of one year from the date of purchase.



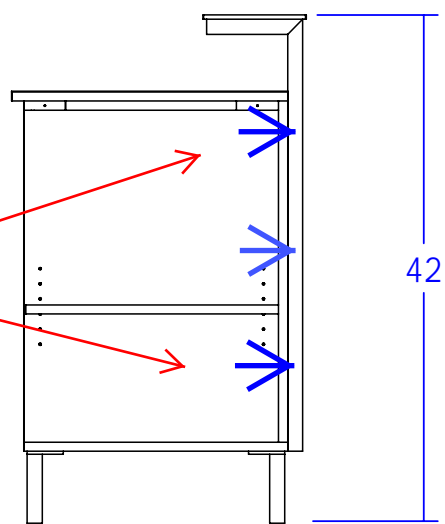


Cash Drawer W/ Lock



30 x 8 1/2 x 3/8 Glass Ledge

1. Desk was fully assembled at the factory, and is almost fully assembled when delivered.
2. Salon must re-fasten the two L-shaped steel ledge supports to front of desk with the fasteners provided.
3. Using the self-adhesive silicon bumpers, fix glass ledge on L-shaped steel supports.



Finish Schedule -951-48
Face Color -
Top Color -
Toe Color -
Reveal / Accent Color -
Hardware - Enova Pulls
Interior - Black
Other (Specify) -

General Notes:
2. Items must be broken into manageable sections For Shipping. Mark For Ease Of Reassembly.
3. Install Shipping Cleats Wherever Possible To Prevent Shipping Damage.
4. Purchased items Must Be Trial Fit Before Shipping.

Collins Manufacturing 2000 Bowser Road Cookeville, TN 38506		
Title 951-48 Enova Due		
Size: NTS	Drawing Number: 67853	Drawn By:
Date:	Sheet	1 of 1