



CLASSIC 42" SHAMPOO BULKHEAD

SKU:645-42



This Classic Shampoo Bulkhead is a salon essential and comes equipped with a bulkhead surface for mounting a shampoo bowl. Featuring an upper cabinet with sliding doors for clean towel storage, and a lower cabinet with a tilt-out soiled towel bin and laminated bottle well. This station also features a full backsplash and comes in a variety of laminate colors.

TECHNICAL INFORMATION

- Measures: 42"W x 12"D x 72"H
- Full width laminated shampoo well
- Upper towel cabinet w/ sliding doors
- Tip-out soiled towel hamper w/ plastic bin
- Bowl ordered separately

SHIPPING INFORMATION

Item generally ships via Freight(Truck) service

- Weight: 248 lbs
- Dimensions: 48"L x 32"W x 48"H

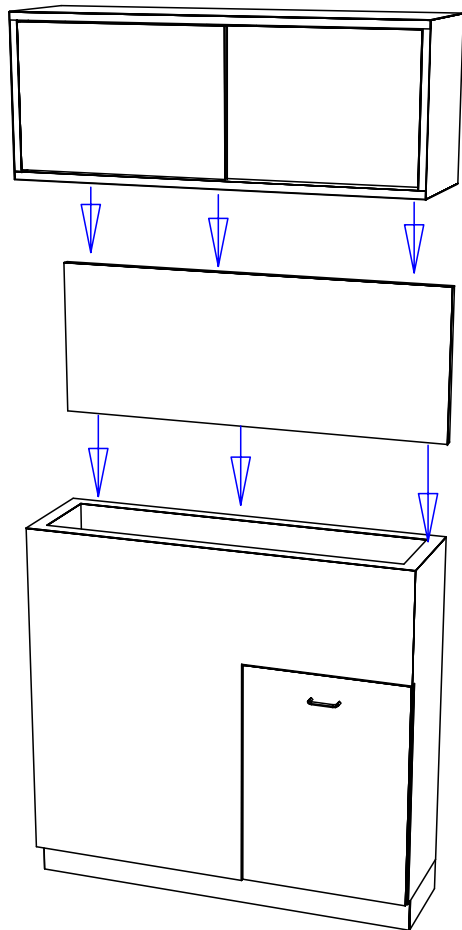
WARRANTY

3 Years:

- Ball-Bearing Drawer Slides
- Cabinet hinges

1 Year:

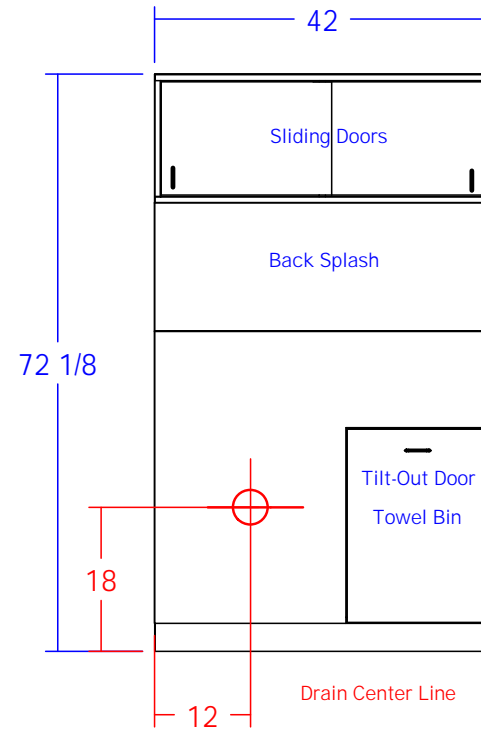
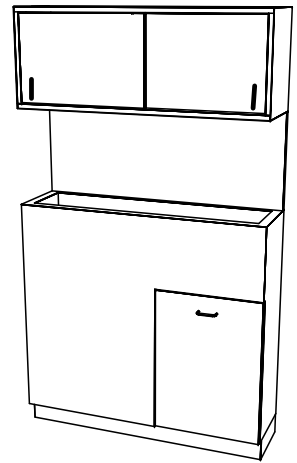
- All remaining components, unless noted otherwise, are guaranteed for a period of one year from the date of purchase.



This item is attached to the wall with wood screws. 3" wood screws and decorative washers are provided for wood framed walls. Fasteners for other wall types are to be obtained locally. Screw through the back panel in locations which will be inconspicuous after installation. Suggested locations include: under shelves, behind drawers, and locations hidden by products or supplies.

Counter top joints and seams in proximity of sinks, shampoo bowls, or pedicure basins are to be sealed on-site with clear silicone caulk to prevent water intrusion and damage.

Front of cabinet is 12" from wall.



Quantity -

Finish Schedule - 645-42-1

Face Color -
 Top Color -
 Toe Color -
 Reveal / Accent Color -
 Hardware - Chrome Wire
 Interior - White Melamine
 Other (Specify) -

General Notes:

1. All counter tops are to be made removable wherever possible.
2. Items must be broken into manageable sections For Shipping. Mark For Ease Of Reassembly.
3. Install Shipping Cleats Wherever Possible To Prevent Shipping Damage.
4. Purchased items Must Be Trial Fit Before Shipping.

collins Collins Manufacturing 2000 Bowser Road Cookeville, TN 38506		
Title:		
Size: NTS	Drawing Number: Job	Drawn By:
Date: 12/04/07	Sheet 4 of 5	