



CLASSIC 48" SHAMPOO BULKHEAD

SKU:645-48



This Classic Shampoo Bulkhead is a salon essential and comes equipped with a bulkhead surface for mounting a shampoo bowl. Slightly larger than our Classic 45", featuring an upper cabinet with sliding doors for clean towel storage, and a lower cabinet with a tilt-out soiled towel bin and laminated bottle well. This station also features a full backsplash and comes in a variety of laminate colors.

TECHNICAL INFORMATION

- Measures: 48"W x 12"D x 72"H
- Bowl ordered separately

SHIPPING INFORMATION

Item generally ships via Freight(Truck) service

- Weight: 272 lbs
- Dimensions: 54"L x 32"W x 48"H

WARRANTY

3 Years:

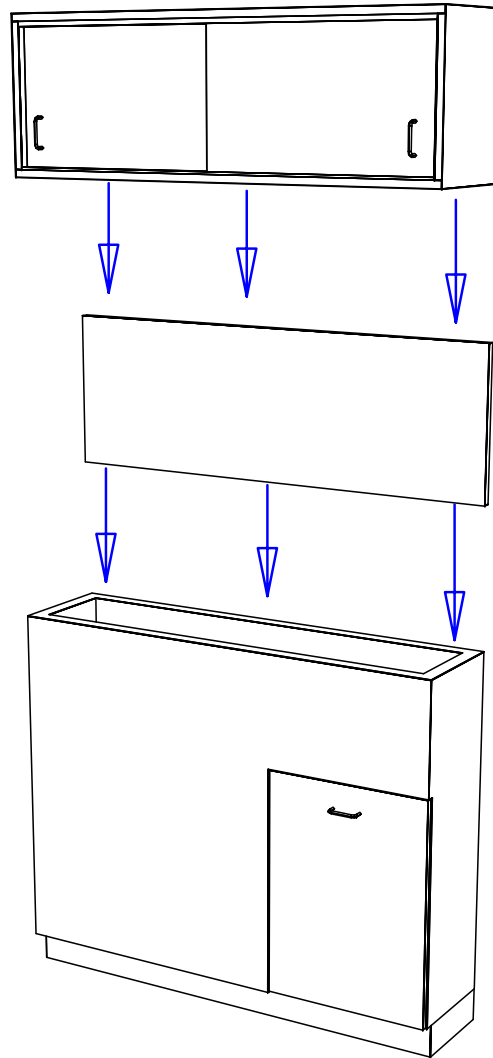
- Ball-Bearing Drawer Slides
- Cabinet hinges

1 Year:

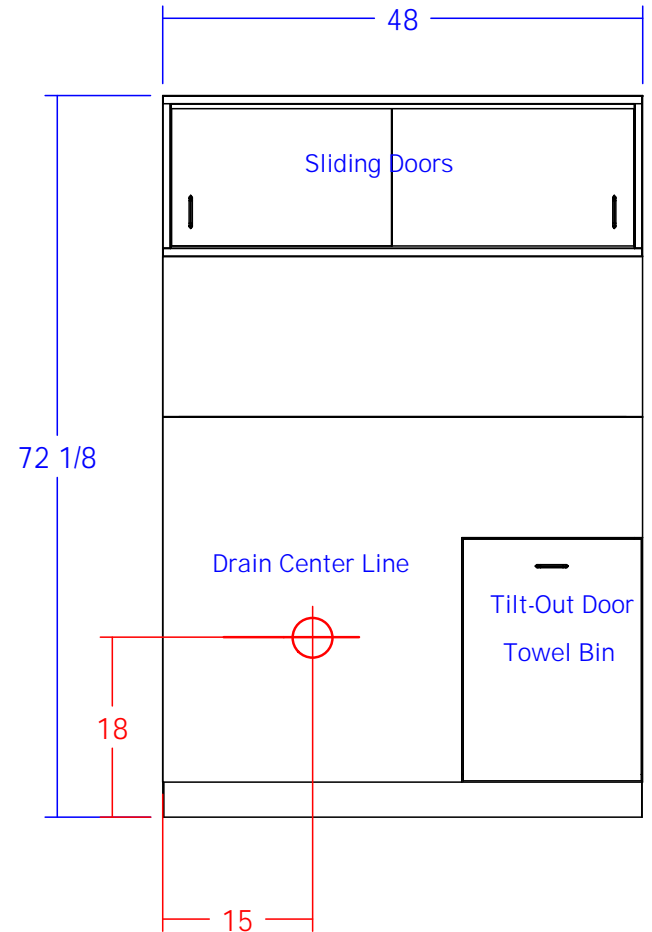
- All remaining components, unless noted otherwise, are guaranteed for a period of one year from the date of purchase.

This item is attached to the wall with wood screws. 3" wood screws and decorative washers are provided for wood framed walls. Fasteners for other wall types are to be obtained locally. Screw through the back panel in locations which will be inconspicuous after installation. Suggested locations include: under shelves, behind drawers, and locations hidden by products or supplies.

Back splash is to be attached to the wall with screws and/or construction adhesive depending upon the wall type and finish. If screws are used, locate them in inconspicuous locations if possible. Seal any joints between the counter top, splash, and wall with clear silicone.



All plumbing work is to be performed by a licensed plumbing contractor and to be performed in accordance with all applicable state and local codes.



Front of cabinet in 12" from finished wall.

Quantity -

Finish Schedule - 645-48-1

Face Color -
 Top Color -
 Toe Color -
 Reveal / Accent Color -
 Hardware -
 Interior -
 Other (Specify) -

General Notes:

1. All counter tops are to be made removable wherever possible.
2. Items must be broken into manageable sections For Shipping. Mark For Ease Of Reassembly.
3. Install Shipping Cleats Wherever Possible To Prevent Shipping Damage.
4. Purchased items Must Be Trial Fit Before Shipping.

collins		Collins Manufacturing 2000 Bowser Road Cookeville, TN 38506
Title:		
Size: NTS	Drawing Number: Job	Drawn By:
Date: 02/02/08	Sheet 5 of 5	