



## BRADFORD DENTIL MANICURE TABLE

SKU:886-48-4



With the Bradford Dentil Manicure Table you can design the perfect space. Create a classic and stylish accent in your salon or spa with crown molding details that enrich the space by forming an eye-catching transition between the walls and floor. The Dentil molding detail and Claw & Ball legs make this a timeless piece that will not go out of style. This traditional style can fit into any decor with just the change of the laminate color.

### TECHNICAL INFORMATION

- Measures: 48"W x 20"D x 30"H
- Queen Anne legs & molding
- 3 Full extension drawers
- Lamp
- Padded rest
- Can be ordered with optional #10633 Powered Vent

### SHIPPING INFORMATION

Item generally ships via Freight(Truck) service

- Weight: 158 lbs
- Dimensions: 54"L x 32"W x 37"H

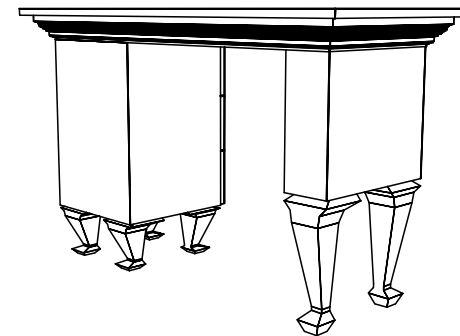
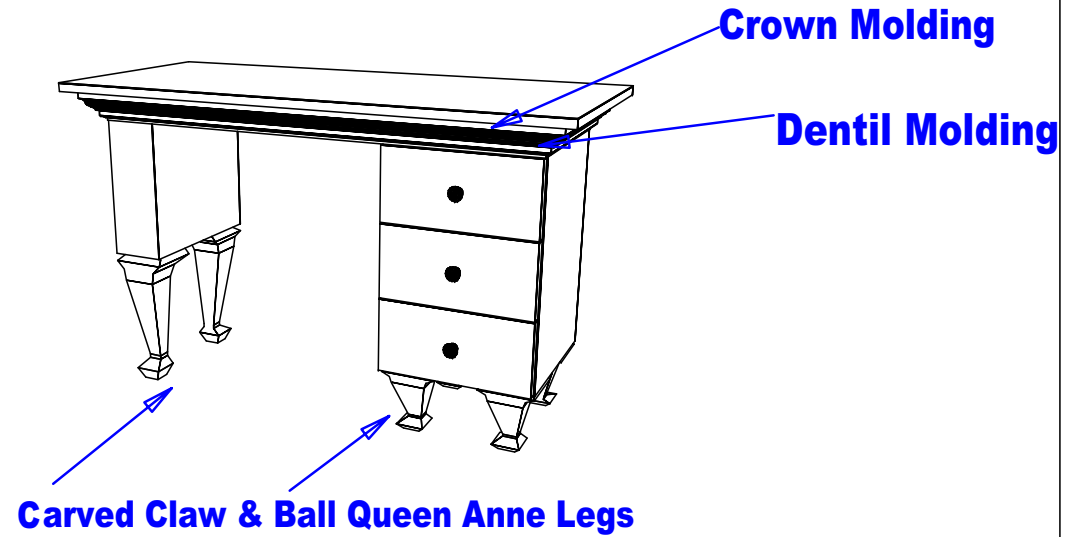
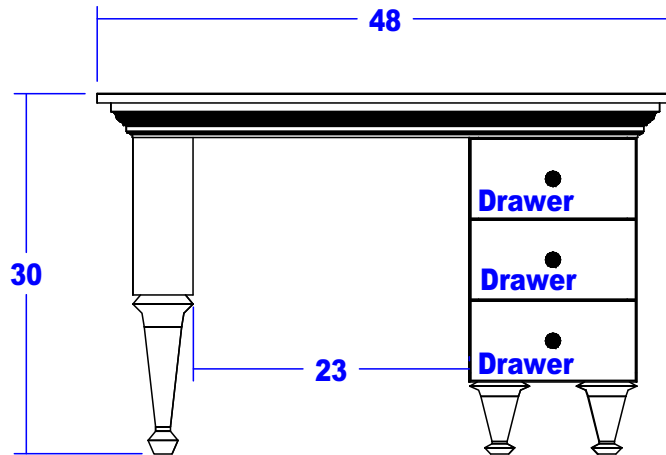
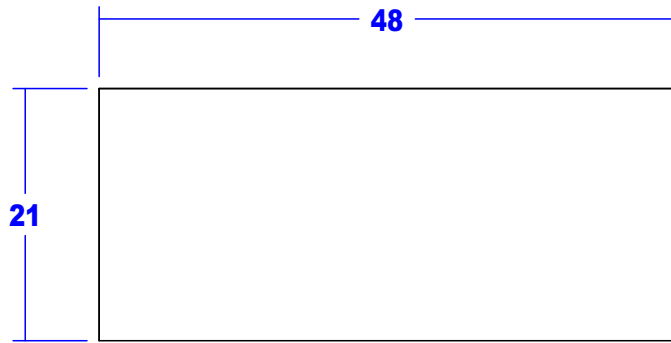
### WARRANTY

#### 3 Years:

- Ball-Bearing Drawer Slides
- Cabinet hinges

#### 1 Year:

- All remaining components, unless noted otherwise, are guaranteed for a period of one year from the date of purchase.



**Finish Schedule - 886-48-4**

Face Color -  
 Top Color -  
 Toe Color -  
 Reveal / Accent Color -  
 Hardware -  
 Interior -  
 Other (Specify) -

**Black lamp & arm pad not shown but are included.**

Preliminary  
 Not For Construction

This drawing is the property of Collins Manufacturing Company and is protected under copyright law.

<b>collins</b>		Collins Manufacturing 2000 Bowser Road Cookeville, TN 38506	
Title: <b>886-48-4 Bradford Dentil</b>			
Size: <b>NTS</b>	Drawing Number: <b>Job</b>	Drawn By:	
Date: <b>12/04/07</b>	Sheet	<b>1 of 5</b>	