



BRADFORD VANITY

SKU:916-48



This beautiful Bradford Vanity is designed for private/in-room usage in spas, salons. The beautiful Queen Anne legs and molding detail add a classic touch of elegance to the space. The two drawers and cabinets are equipped with satin nickel hardware and provides additional storage space for all your extra product and supplies. The stainless steel round sink has enough room to wash your hands or clean up small bowls after a spa treatment.

TECHNICAL INFORMATION

- Measures: 48"W x 24"D x 36"H
- Round stainless steel sink
- Paddle fixtures
- 2 Drawers
- Storage cabinets
- 3" backsplash

SHIPPING INFORMATION

Item generally ships via Freight(Truck) service

- Weight: 253 lbs
- Dimensions: 60"L x 30"W x 44"H

WARRANTY

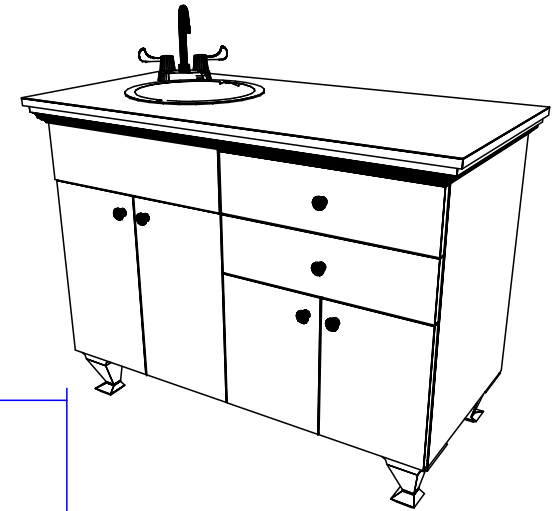
3 Years:

- Ball-Bearing Drawer Slides
- Cabinet hinges

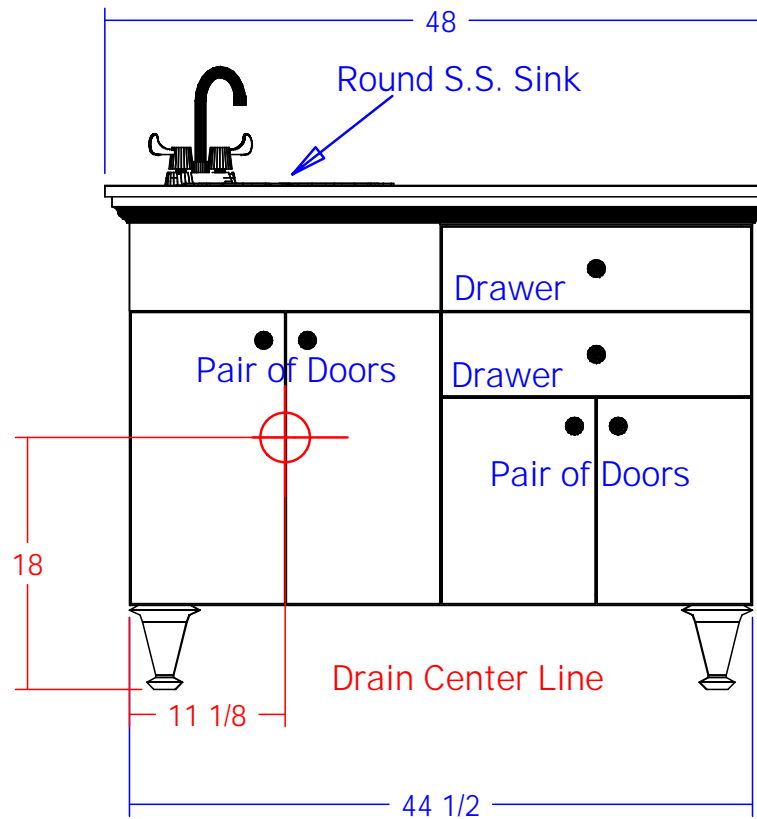
1 Year:

- All remaining components, unless noted otherwise, are guaranteed for a period of one year from the date of purchase.

Plumber to Cut holes for faucet in the desired location.
 Follow the manufactures instructions for installing the
 sink and faucet. Instructions should be packed in the
 same box as faucet and sink.



All plumbing work is to be performed by a
 licensed plumbing contractor and to be
 performed in accordance with all
 applicable state and local codes.



Quantity - 1

Finish Schedule - 916-48-1

Face Color -
 Top Color -
 Toe Color -
 Reveal / Accent Color -
 Hardware -
 Interior -
 Other (Specify) -

General Notes:

1. All counter tops are to be made removable wherever possible.
2. Items must be broken into managable sections For Shipping. Mark For Ease Of Reassembly.
3. Install Shipping Cleats Wherever Possible To Prevent Shipping Damage.
4. Purchased items Must Be Trial Fit Before Shipping.

collins Collins Manufacturing
 2000 Bowser Road
 Cookeville, TN 38506

Title:		
Size: NTS	Drawing Number: Job	Drawn By:
Date: 12/05/07	Sheet 4 of 4	