



AMATI 45 NAIL TABLE

SKU:947-45

Beautifully crafted, this Amati 45 Nail Table with a storage cabinet is the perfect addition to your salon. With its modern style, the steel leg accents and space saving design provides a beautiful custom table for your nail area.



TECHNICAL INFORMATION

- Measures: 45"W x 20"D x 30"H x 32"H
- 2 Full extension drawers
- Storage cabinet
- Lamp
- Padded rest
- Amati steel legs
- Can be ordered with locking twin-wheel casters at no extra charge.
- Can be ordered with optional #10633 Powered Vent.

SHIPPING INFORMATION

Item generally ships via Freight(Truck) service

- Weight: 168 lbs
- Dimensions: 54"L x 32"W x 42"H

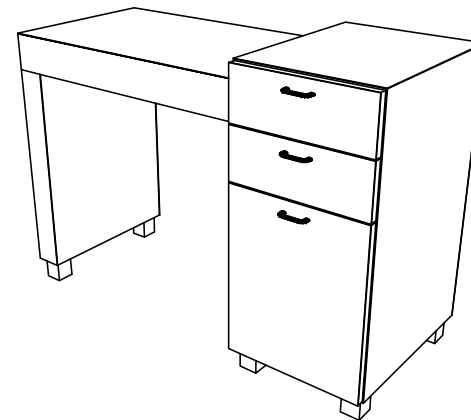
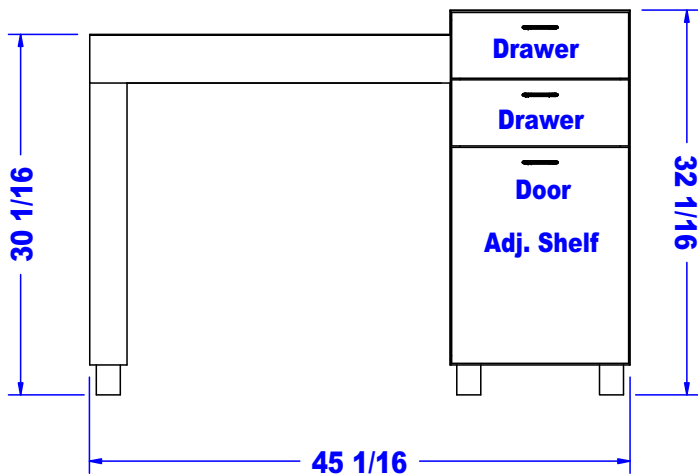
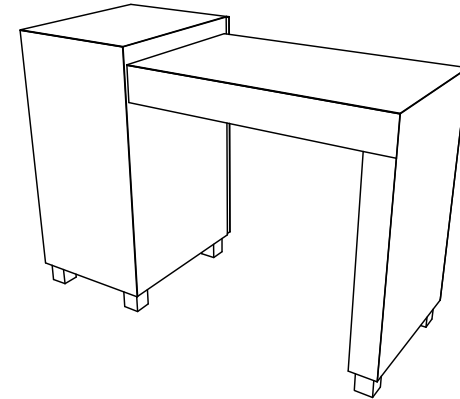
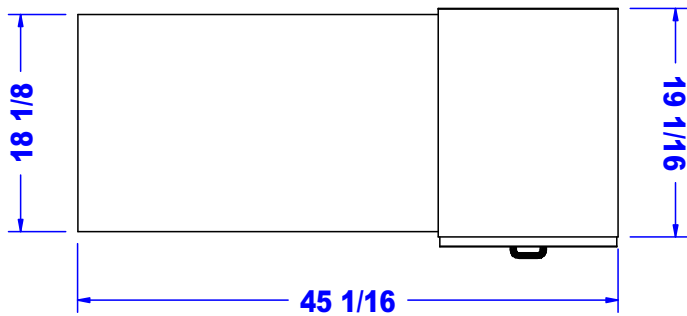
WARRANTY

3 Years:

- Ball-Bearing Drawer Slides
- Cabinet hinges

1 Year:

- All remaining components, unless noted otherwise, are guaranteed for a period of one year from the date of purchase.



Finish Schedule - 947-45-1

Face Color -
 Top Color -
 Toe Color - Silver Legs
 Reveal / Accent Color - Black Nail Pad
 Hardware - Amati Pulls
 Interior - Black
 Other (Specify) -

Lamp & Padded Upholstered Rest included, not shown

Preliminary
 Not For Construction

This drawing is the property of Collins Manufacturing Company and is protected under copyright law.

collins Collins Manufacturing
 2000 Bowser Road
 Cookeville, TN 38506

Title: **947-45 Amati Nail Table**

Size: NTS	Drawing Number:	Drawn By: Eng
Date:	Sheet	