



AMATI 57 NAIL TABLE

SKU:948-57

This Amati 57 Nail Table is designed for a comfortable height and good ergonomic posture. With two storage cabinets, slightly taller than the work area, you have plenty of room to keep your nail products organized.



TECHNICAL INFORMATION

- Measures: 57"W x 20"D x 30"H x 32"H
- 2 Full extension drawers
- 2 Storage cabinets
- Lamp
- Padded rest
- Can be ordered with locking twin-wheel casters at no extra charge
- Can also be ordered with optional #10633 Vent

SHIPPING INFORMATION

Item generally ships via Freight(Truck) service

- Weight: 209 lbs
- Dimensions: 66"L x 32"W x 42"H

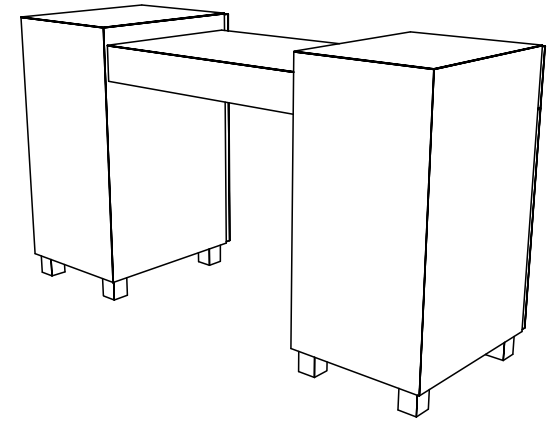
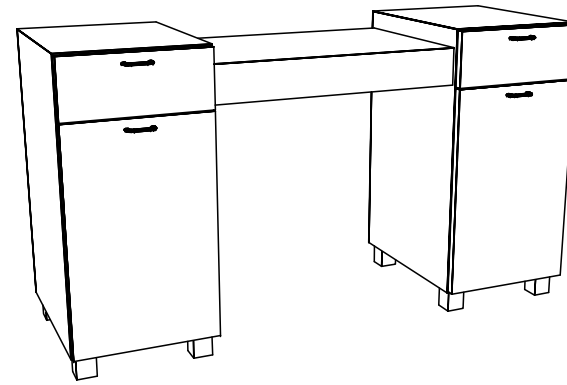
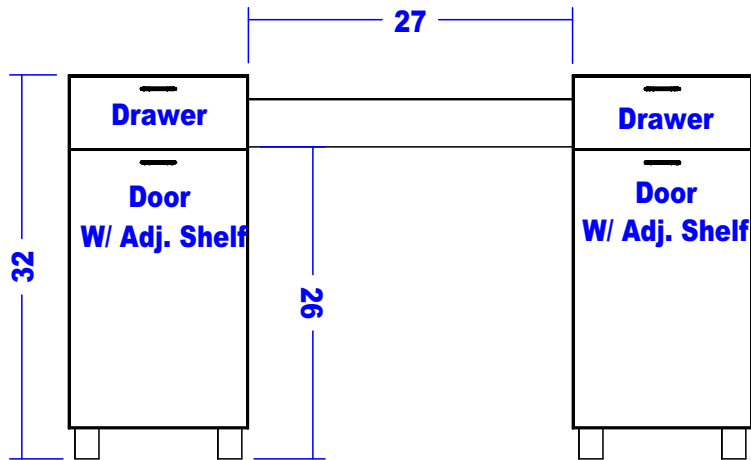
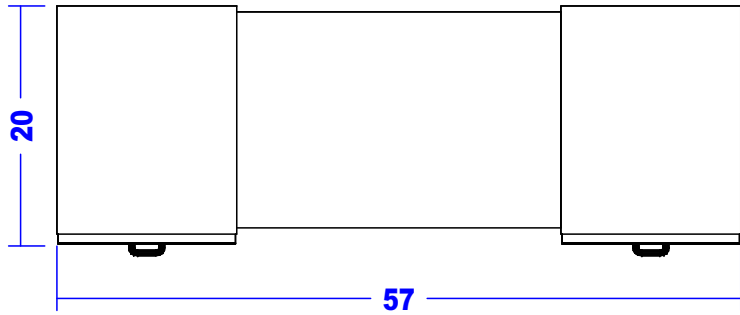
WARRANTY

3 Years:

- Ball-Bearing Drawer Slides
- Cabinet hinges

1 Year:

- All remaining components, unless noted otherwise, are guaranteed for a period of one year from the date of purchase.



Finish Schedule – 948-57-1

Face Color -
 Top Color -
 Toe Color -
 Reveal / Accent Color - Silver Steel Legs
 Hardware - Amati Pulls
 Interior - Black Melamine
 Other (Specify) -

Included Lamp and Nail Pad Not Pictured

Preliminary
 Not For Construction

This drawing is the property of Collins Manufacturing Company and is protected under copyright law.

collins Collins Manufacturing 2000 Bowser Road Cookeville, TN 38506		
Title: 948-57 Amati Nail Table		
Size: NTS	Drawing Number: Job	Drawn By: Eng
Date:	Sheet	