



## CIELO TRIPLE-BASIN PEDICURE UNIT

SKU:62478

Cielo Triple-Basin Pipeless Pedicure Bench features a removable magnetic-drive impeller creates whirlpool action without external pumps and pipes. Makes for quick-easy sanitation between clients, reduces uncertainty.

[Click here for Specification Sheet](#)

### TECHNICAL INFORMATION

- Measures: 118"W x 50"D
- White radius-front 12" deep acrylic whirlpool tub
- Removable magnetic-drive impeller
- Safe on-off controls
- Faucet
- Vacuum breaker
- Whiz-spray
- Remotely controlled drain assembly
- Comfortable and accommodating sofa seating

### SHIPPING INFORMATION

Item generally ships via Freight(Truck) service

- 2 Skids
- Weight: 160 lbs each
- Dimensions: 32"W x 54"L x 52"H
- 1 Skid
- 32"W x 48"L x 52"H
- 120 lbs
- 1 Skid
- 32"W x 66"L x 32"H
- 140 lbs
- 1 Skid
- 32"W x 54"L x 32"H
- 130 lbs

### WARRANTY

#### 7.5 Years:

- Models 3500, 4500, 5550 Foot Operated Hydraulic Pumps

#### 5 years:

- Collins Comfort Zone anti-fatigue mats
- All purpose and shampoo chair back reclining mechanisms

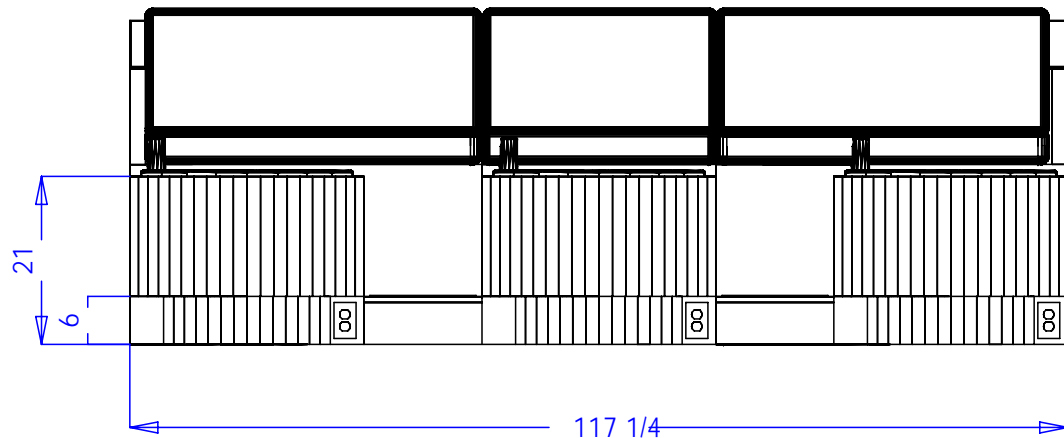
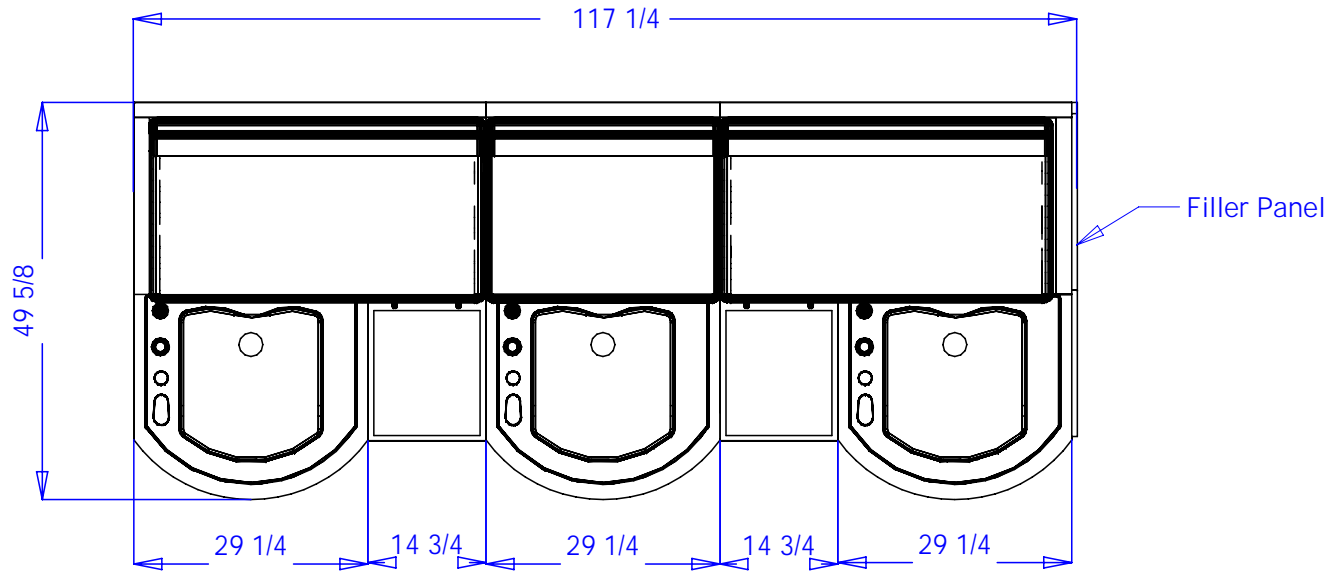
#### 3 Years:

- BKB Electric Base
- Molded urethane arms
- Upholstery
- Ball-Bearing Drawer Slides
- Cabinet hinges

#### 1 year:

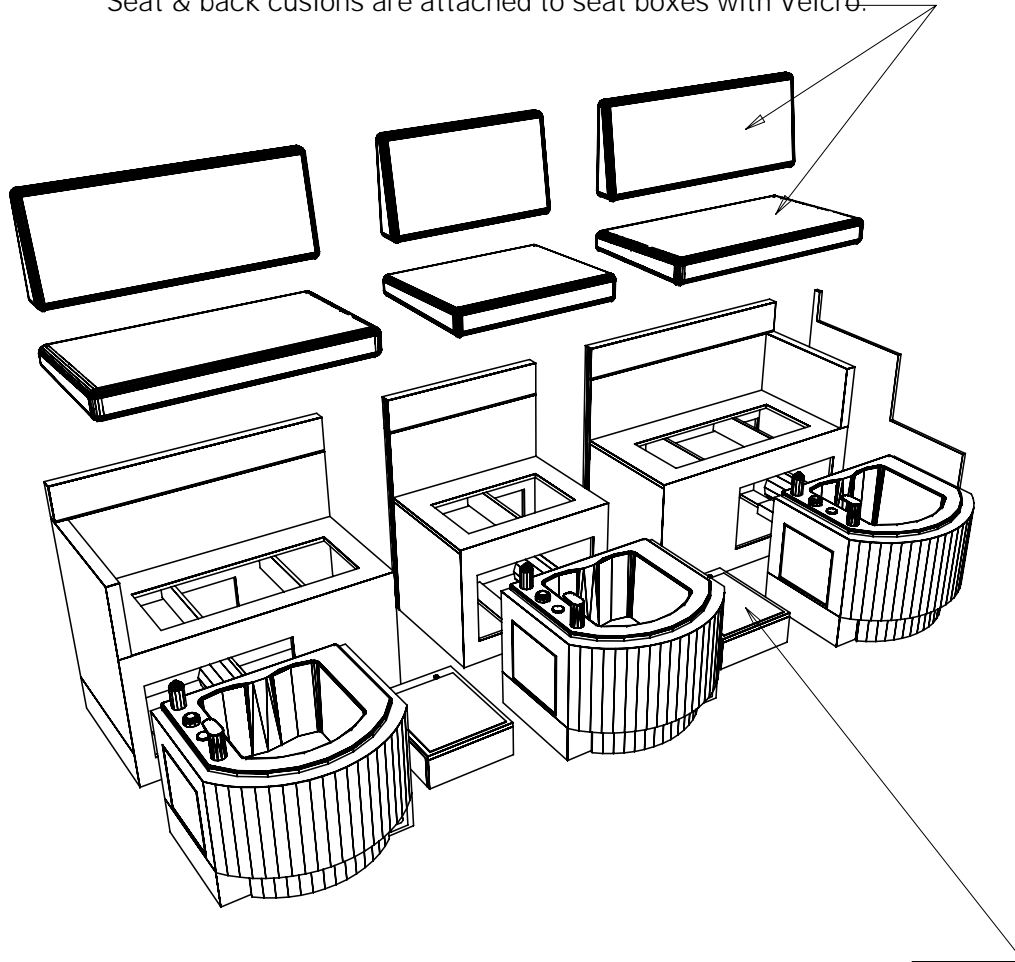
- All remaining components, unless otherwise noted





<b>collins</b>		Collins Manufacturing 2000 Bowser Rd. Cookeville TN 38506
Title: 62478.98 Triple Pedicure		
Size:		Drawn By: Mike
Date:		Sheet #:

Seat & back cushions are attached to seat boxes with Velcro.



The tops of the steps are removable for leveling and attachment.

Seat boxes should be attached to wood framed walls by screwing through the interior back panel into wall studs or blocking. Fasteners for wood framed walls are provided. The fasteners for other wall types are not provided.

Adjacent cabinets and components should be assembled by fastening through the interior panels with the screws or bolts provided. Tighten securely.

Filler should be attached to right seat box by screwing through the filler into the side of the seat box and basin cabinet with the screws provided.

Components are marked for ease of assembly. Match up like markings for both vertical and horizontal sections. Markings will be on the backs or other surfaces that are inconspicuous after installation.

Seams and joints in proximity of sinks, shampoo bowls, or pedicure basins are to be sealed on-site with a clear silicone caulk to prevent water damage.

<b>collins</b> Collins Manufacturing 2000 Bowser Rd. Cookeville TN 38506	
Title: 62478.98 Assembly	
Size:	Drawn By: Mike
Date:	Sheet #: