



## HAIR TRAP

SKU:1701

This universal hair trap will work for any brand or model shampoo bowl.

Prevents hair from clogging the shampoo bowl drain and has clean-out.

### TECHNICAL INFORMATION

---

- Molded plastic hair trap

### SHIPPING INFORMATION

---

Item generally ships via Parcel (Fedex/UPS) service

- Weight: 3 lbs
- Dimensions: 10"L x 12"W x 10"H

### WARRANTY

---

#### 5 YEARS:

- Collins ABS Shampoo Bowls

#### 2 YEARS:

- Collins-Jeffco faucets and Porcelain Shampoo Bowls

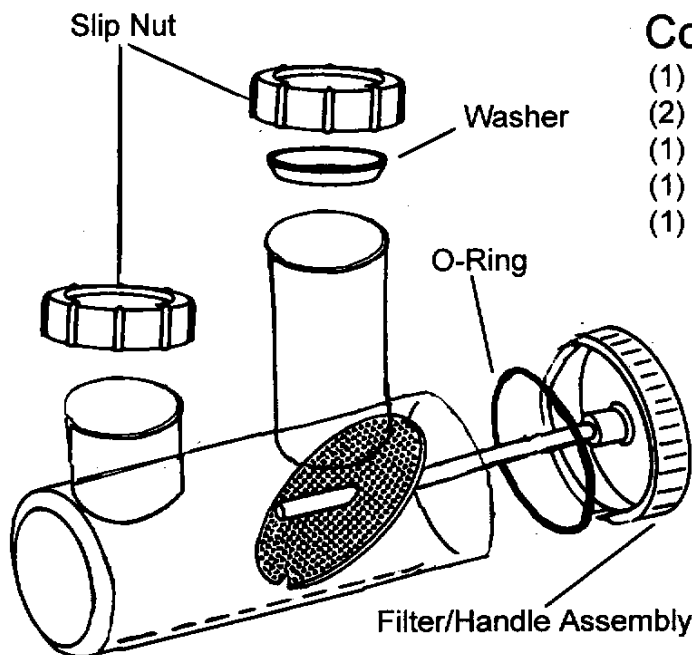
#### 1 YEAR:

- All remaining components, unless noted otherwise, are guaranteed for a period of one year from the date of purchase.



# Installation Instructions

## No. 1701 "CATCH-ALL" HAIR TRAP



### Contents

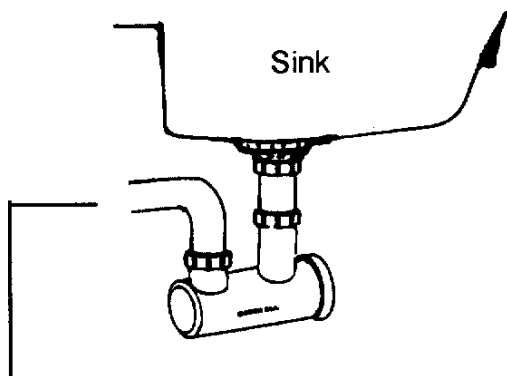
- (1) - Hair Trap
- (2) - Slip Nuts
- (1) - 1½" Washer
- (1) - Filter/Handle Assembly
- (1) - O-Ring

### To Install

1. Place slip nut and washer over 1½" tail piece.
2. Place slip nut over flange of elbow pipe (not included).
3. Install Hair Trap and tighten slip nuts.
4. Run water and check for leaks.

### To Clean

1. Unscrew filter/handle assembly.
2. Remove all debris.
3. Make sure o-ring is in position in the handle cap.
4. Replace by aligning slot in filter over the guide inside hair trap and tighten firmly by hand.
5. Run water and check for leaks.



One-piece flanged elbow pipe required for installation

