



## WALL-MOUNTED PORCELAIN SHAMPOO BOWL

SKU:CB80

The standard Porcelain Shampoo Bowl is the traditional sidewash shampoo bowl. The square porcelain bowl features an integrated handle faucet and spray hose. Wall-mounting brackets are included for wall installation.

### TECHNICAL INFORMATION

- Measures: Large 19"W x 20"D x 10"H
- 570 Faucet
- Spray hose
- Vacuum breaker
- Drain assembly
- UPC approved
- Shown w/ optional neck rest in second picture

### SHIPPING INFORMATION

Item generally ships via Freight(Truck) service

- Weight: 62 lbs
- Dimensions: 26"L x 26"W x 25"H

### WARRANTY

#### 5 YEARS:

- Collins ABS Shampoo Bowls

#### 2 YEARS:

- Collins-Jeffco faucets and Porcelain Shampoo Bowls

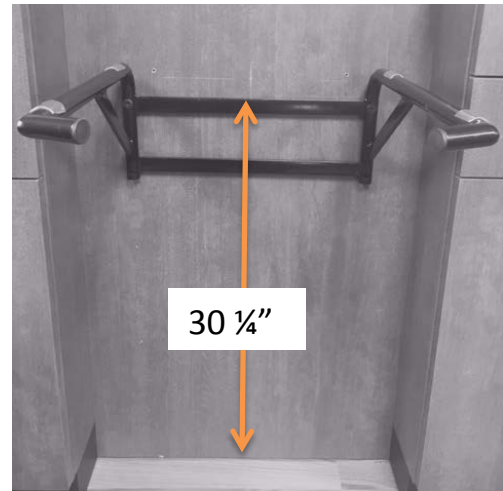
#### 1 YEAR:

- All remaining components, unless noted otherwise, are guaranteed for a period of one year from the date of purchase.

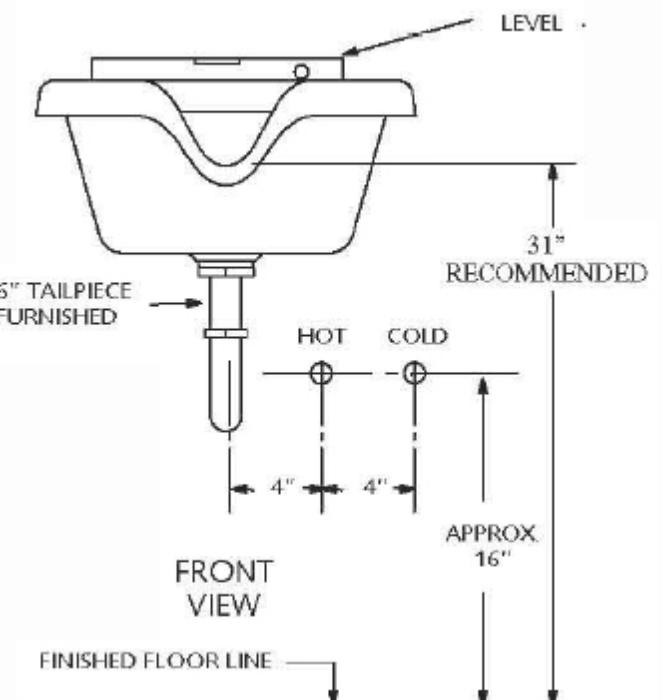


# CB80-B / CB80-W Shampoo Bowl Installation

Install the wall bracket so that the top edge (cross bar) is 30 ¼" from the finished floor. This bracket height is suggested to obtain the most common neckrest height. However, the bracket height may be varied to accommodate personal preference and/or height needed for shampoo/AP chair to be used with bowl.

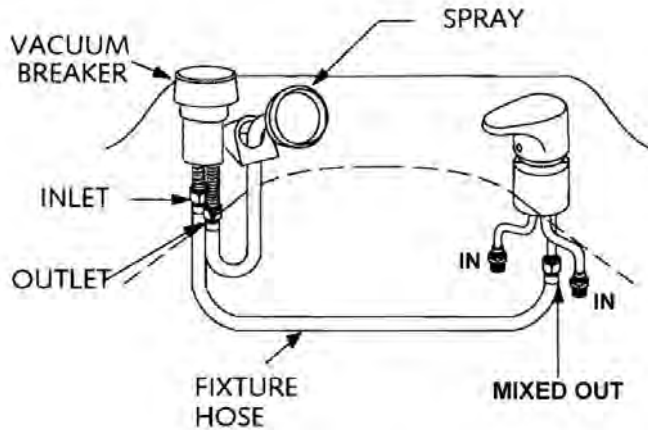


Place bowl into bracket to ensure location is adequate. Be sure bowl is level side to side. If so, peel the top coat of the double-sided tape on the bracket, and place bowl into place. Apply small bead of silicone to the back edge of the bowl (as well as to the sides of bowl for in-cabinet mounting).



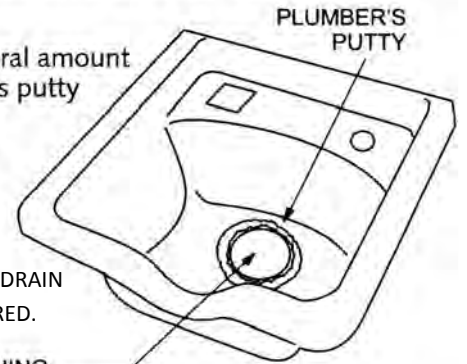
## HOSE CONNECTIONS

If your Bowl is equipped with a Vacuum Breaker, connect one end of the Fixture Hose to the inlet side of the Vacuum Breaker. Connect the other end to the Fixture Tailpiece. Attach the Spray Hose connector to the Vacuum Breaker outlet.



## INSTALL THE DRAIN ASSEMBLY

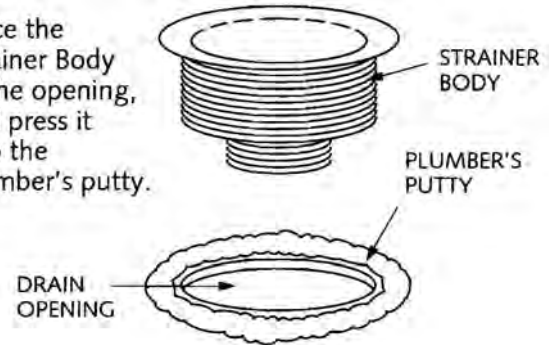
Apply a liberal amount of plumber's putty around the top of the drain opening.



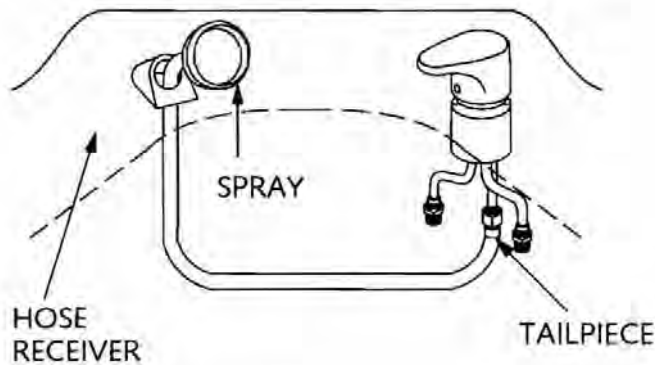
3 1/2" APPROVED DRAIN ASSEMBLY REQUIRED.

DRAIN OPENING

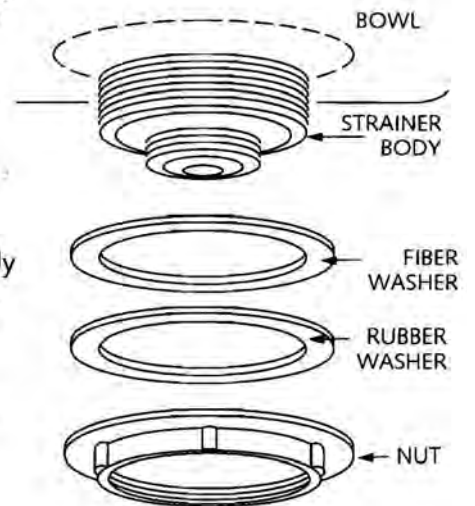
Place the Strainer Body in the opening, and press it into the plumber's putty.



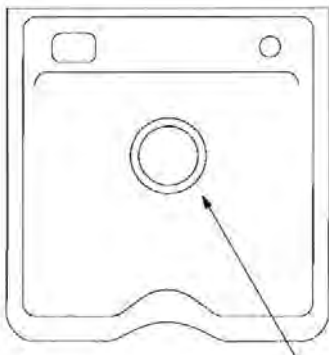
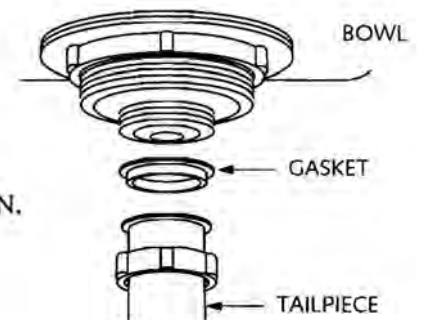
If your Bowl is *not* equipped with a Vacuum Breaker attach the Spray Hose connector to the fixture tailpiece.



From the underside of the Bowl, place the Fiber and Rubber Washers over the Strainer Body. Secure the Strainer Body with the Nut. **DO NOT OVERTIGHTEN.** When the Strainer Body is tightened securely to the Bowl, clean off any excess plumber's putty.



Attach the Gasket and Tailpiece to the Strainer Body. **DO NOT OVERTIGHTEN.**



**IMPORTANT!**  
**DO NOT OVERTIGHTEN**  
**DRAIN ASSEMBLY!**

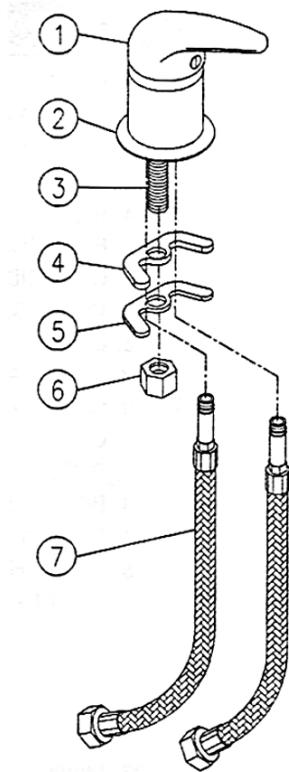
3 1/2" BASKET STRAINER

# INSTALLATION INSTRUCTIONS

MODEL NUMBER : 570

## CHROME LEVER-HANDLE FAUCET

### INSTALLATION GUIDELINES



#### ENGLISH

1. Unscrew the fixed parts ( such as (#6) fix nut, (#5) brass washer, (#4) rubber washer ) from the faucet.
2. Have the two (#7) flexible hoses screwed to the hot/cold water outlet accordingly.
3. Put the (#1) Main body and (#2) Base of the main body from the top to line up with the reserved hole on basin.
4. From the bottom, secure the (#4) rubber washer, (#5) brass washer in the order by screwing the (#6) fix nut to the (#3) retaining mounting tube.

#### ESPAÑOL

1. Desatorille las partes que contengan roscas (como por ejemplo #6, atornillador de cobre #5 y atornillador de plástico #4) de la llave.
2. Conecte las dos mangueras (parte #7) a la conexión de el agua caliente/fría como sea necesario.
3. Ponga la llave principal (parte #1) y la base (parte #2) en el hoyo de arriba designado específicamente para este uso.
4. De la parte de abajo del lavado, apriete en orden el atornillador de plástico (parte #4) luego el atornillador de cobre (parte #5) reforzándolos con la rosca #6 en el tubo de montaje (parte #3).

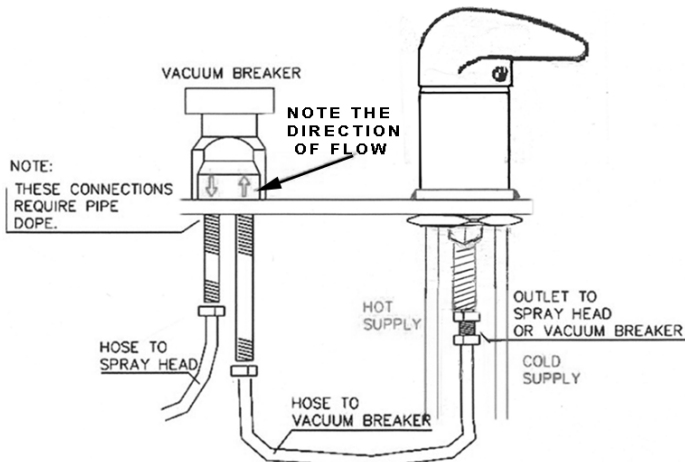
#### FRANCAIS

1. Dévissez les pièces fixes (telles que l'écrou de difficulté #6, la rondelle #5 en laiton, et la rondelle #4 en caoutchouc) du robinet.
2. Ayez les deux tuyaux #7 flexibles vissés à la sortie eau chaude/froide en conséquence.
3. Mettez le corps #1 principal et la base #2 du corps principal à partir du dessus pour aligner avec le trou réservé en bassin.
4. Du fond, fixez la rondelle #4 en caoutchouc et la rondelle #5 en laiton dans l'ordre en vissant l'écrou de la difficulté #6 au #3 maintenant le tube de support.

### CORRECT HOSE CONNECTIONS FOR VACUUM BREAKER

ESPAÑOL: CONEXIONES CORRECTAS de la MANGUERA para el TRITURADOR del VACÍO

FRANCAIS: RACCORDEMENTS CORRECTS de TUYAU pour le BRISEUR de VIDE



ENGLISH: Arrows on the vacuum breaker indicate directional flow of water. Device will leak and not work properly if installed with water flow reversed.

ESPAÑOL: Las flechas en el triturador del vacío indican el flujo direccional de agua. El dispositivo se escapará y no funcionará correctamente si está instalado con la corriente invertida.

FRANCAIS: Les flèches sur le briseur de vide indiquent l'écoulement directionnel de l'eau. Le dispositif coulera et ne fonctionnera pas correctement s'installé avec l'écoulement d'eau a renversé.

### VACUUM BREAKER WILL LEAK IF WATER FLOW IS REVERSED

**collins**



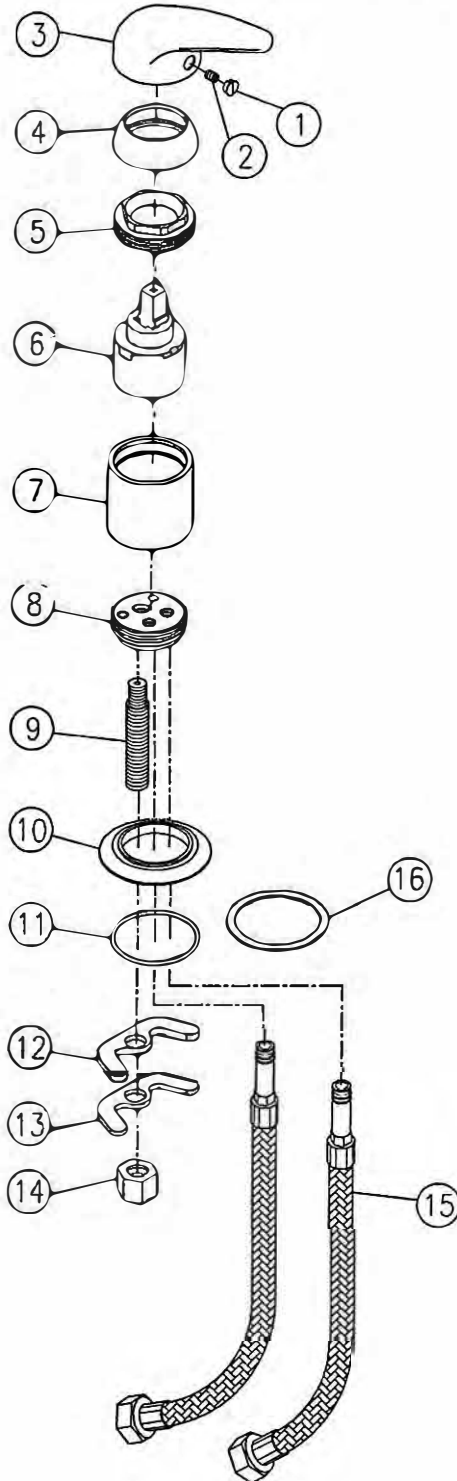
Jeffco Salon Equipment, LLC  
2000 Bowser Road  
Cookeville, TN 38506  
www.jeffcosalonequipment.com

# INSTALLATION INSTRUCTIONS

MODEL NUMBER : 570

CHROME LEVER-HANDLE FAUCET

## ILLUSTRATED PARTS LIST



### ENGLISH:

01. INDEX BUTTON
02. HANDLE SCREW
03. HANDLE
04. ESCUTCHEON
05. ESCUTCHEON NUT
06. CARTRIDGE: VALVE
07. VALVE SLEEVE
08. DRAIN
09. SPOUT ADAPTER
10. SPOUT BASE
11. O-RING
12. RUBBER WASHER
13. BRASS WASHER
14. SUPPLY NUT
15. STEEL HOSE
16. RUBBER WASHER

### ESPAÑOL:

01. Tornillo de Seguridad
02. Tornillo de Ajuste
03. Manija
04. Abrazadera
05. Abrazadera con Ajuste
06. Valvula de Soporte
07. Valvula Cobertora
08. Destape
09. Adaptador de Destape
10. Base de Destape
11. Anillo "O"
12. Abrazadera de Plastico
13. Abrazadera de Cobre
14. Tuerca
15. Manguera de Acero
16. Arandela de gome

### FRANCAIS:

01. BOUTON D'INDEX
02. VIS DE POIGNEE
03. POIGNEE
04. CACHE
05. ÉCROU DE CACHE
06. CARTOUCHE - VALVE
07. DOUILLE DE VALVE
08. DRAIN
09. ADAPTEUR DE BEC
10. BASE DE BEC
11. JOINT CIRCULAIRE
12. RONDELLE EN CAOUTCHOUC
13. RONDELLE EN LAITON
14. ÉCROU D'APPROVISIONNEMENT
15. TUYAU EN ACIER
16. RONDELLE EN CAOUTCHOUC