



STANDARD PORCELAIN SHAMPOO BOWL

SKU:CB81



Experience the best classic look with a modern twist in our standard porcelain bowl. This timeless wall-mounted model is produced from high quality ceramic, ensuring years of durability and elegance. The single handle faucet is made for reliable operation, and the side spray option offers increased functionality.

TECHNICAL INFORMATION

- Measures: 23"W x 20"D x 10"H
- Traditional side-wash bowl
- 570 Faucet
- Spray hose
- Vacuum breaker
- Drain assembly
- Hair strainer
- Mounting bracket
- UPC approved
- Shown w/ optional neck rest in second picture

SHIPPING INFORMATION

Item generally ships via Freight(Truck) service

- Weight: 75 lbs
- Dimensions: 26"L x 26"W x 25"H

WARRANTY

5 YEARS:

- Collins ABS Shampoo Bowls

2 YEARS:

- Collins-Jeffco faucets and Porcelain Shampoo Bowls

1 YEAR:

- All remaining components, unless noted otherwise, are guaranteed for a period of one year from the date of purchase.





CB-81 Installation

Installation of the CB-81 Bowl to the wall bracket is a two person operation.

Install the wall bracket so that the top edge is 28 ¼" from the finished floor (this bracket height is suggested to obtain the most suitable neckrest height of 31"; however, the bracket height may be varied to suit personal preference).

Be sure the bracket is securely fastened to a structural member in the wall and is able to support sixty (60) pounds.

Be sure the bracket is level.



Place inserts into the four holes on the bottom of the bowl.



Place washer and nut on each insert and tighten to pull inserts tight to hold in place. Remove nut, but leave washer on each insert.



As a team, carefully place bowl onto bracket ensuring inserts set into holes in bracket. Place washer and nut onto each insert bolt and tighten.

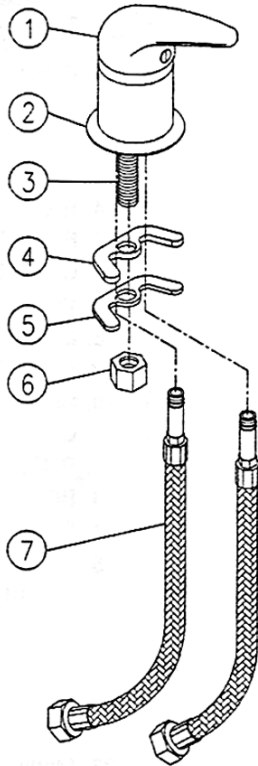


INSTALLATION INSTRUCTIONS

MODEL NUMBER : 570

CHROME LEVER-HANDLE FAUCET

INSTALLATION GUIDELINES



ENGLISH

1. Unscrew the fixed parts (such as (#6) fix nut, (#5) brass washer, (#4) rubber washer) from the faucet.
2. Have the two (#7) flexible hoses screwed to the hot/cold water outlet accordingly.
3. Put the (#1) Main body and (#2) Base of the main body from the top to line up with the reserved hole on basin.
4. From the bottom, secure the (#4) rubber washer, (#5) brass washer in the order by screwing the (#6) fix nut to the (#3) retaining mounting tube.

ESPAÑOL

1. Desatornille las partes que contengan roscas (como por ejemplo #6, atornillador de cobre #5 y atornillador de plástico #4) de la llave.
2. Conecte las dos mangueras (parte #7) a la conexión de el agua caliente/fría como sea necesario.
3. Ponga la llave principal (parte #1) y la base (parte #2) en el hoyo de arriba designado específicamente para este uso.
4. De la parte de abajo del lavado, apriete en orden el atornillador de plástico (parte #4) luego el atornillador de cobre (parte #5) reforzándolos con la rosca #6 en el tubo de montaje (parte #3).

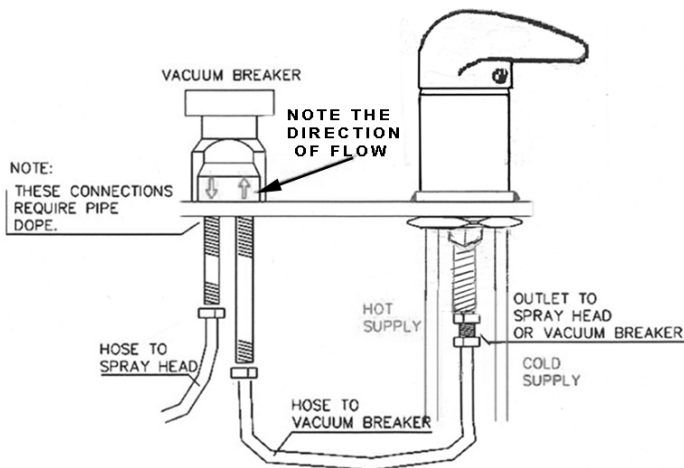
FRANCAIS

1. Dévissez les pièces fixes (telles que l'écrou de difficulté #6, la rondelle #5 en laiton, et la rondelle #4 en caoutchouc) du robinet.
2. Ayez les deux tuyaux #7 flexibles vissés à la sortie eau chaude/froide en conséquence.
3. Mettez le corps #1 principal et la base #2 du corps principal à partir du dessus pour aligner avec le trou réservé en bassin.
4. Du fond, fixez la rondelle #4 en caoutchouc et la rondelle #5 en laiton dans l'ordre en vissant l'écrou de la difficulté #6 au #3 maintenant le tube de support.

CORRECT HOSE CONNECTIONS FOR VACUUM BREAKER

ESPAÑOL: CONEXIONES CORRECTAS de la MANGUERA para el TRITURADOR del VACÍO

FRANCAIS: RACCORDEMENTS CORRECTS de TUYAU pour le BRISEUR de VIDE



ENGLISH: Arrows on the vacuum breaker indicate directional flow of water. Device will leak and not work properly if installed with water flow reversed.

ESPAÑOL: Las flechas en el triturador del vacío indican el flujo direccional de agua. El dispositivo se escapará y no funcionará correctamente si está instalado con la corriente invertida.

FRANCAIS: Les flèches sur le briseur de vide indiquent l'écoulement directionnel de l'eau. Le dispositif coulera et ne fonctionnera pas correctement s'installé avec l'écoulement d'eau a renversé.

VACUUM BREAKER WILL LEAK IF WATER FLOW IS REVERSED

collins



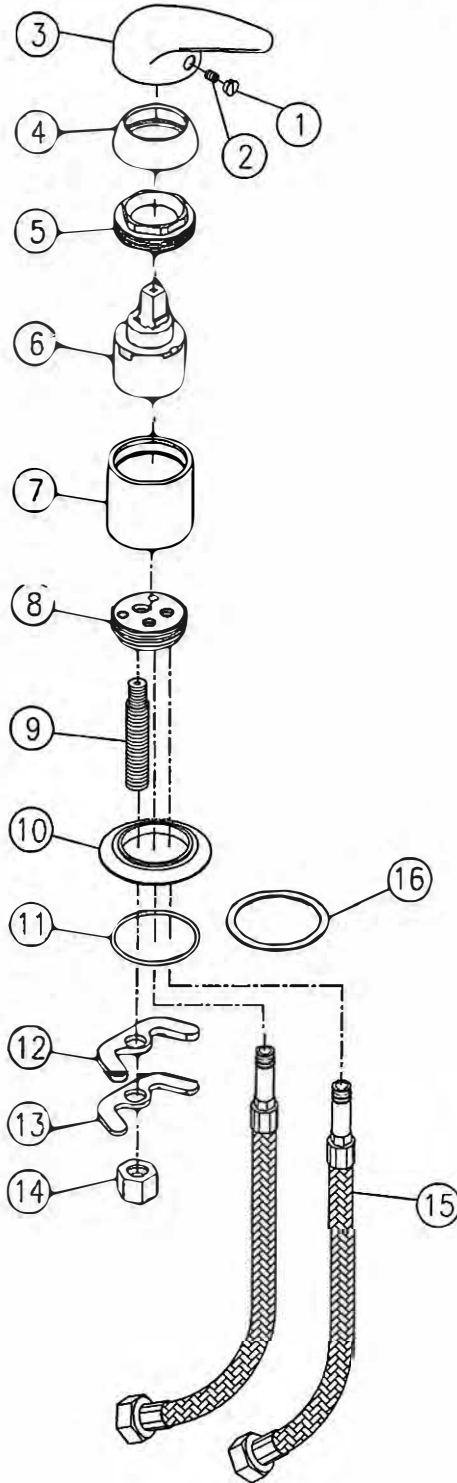
Jeffco Salon Equipment, LLC
2000 Bowser Road
Cookeville, TN 38506
www.jeffcosalonequipment.com

INSTALLATION INSTRUCTIONS

MODEL NUMBER : 570

CHROME LEVER-HANDLE FAUCET

ILLUSTRATED PARTS LIST



ENGLISH:

01. INDEX BUTTON
02. HANDLE SCREW
03. HANDLE
04. ESCUTCHEON
05. ESCUTCHEON NUT
06. CARTRIDGE: VALVE
07. VALVE SLEEVE
08. DRAIN
09. SPOUT ADAPTER
10. SPOUT BASE
11. O-RING
12. RUBBER WASHER
13. BRASS WASHER
14. SUPPLY NUT
15. STEEL HOSE
16. RUBBER WASHER

ESPAÑOL:

01. Tornillo de Seguridad
02. Tornillo de Ajuste
03. Manija
04. Abrazadera
05. Abrazadera con Ajuste
06. Valvula de Soporte
07. Valvula Cobertora
08. Destape
09. Adaptador de Destape
10. Base de Destape
11. Anillo "O"
12. Abrazadera de Plastico
13. Abrazadera de Cobre
14. Tuerca
15. Manguera de Acero
16. Arandela de gome

FRANCAIS:

01. BOUTON D'INDEX
02. VIS DE POIGNEE
03. POIGNEE
04. CACHE
05. ÉCROU DE CACHE
06. CARTOUCHE - VALVE
07. DOUILLE DE VALVE
08. DRAIN
09. ADAPTEUR DE BEC
10. BASE DE BEC
11. JOINT CIRCULAIRE
12. RONDELLE EN CAOUTCHOUC
13. RONDELLE EN LAITON
14. ECROU D'APPROVISIONNEMENT
15. TUYAU EN ACIER
16. RONDELLE EN CAOUTCHOUC



Cleaning & Maintaining Porcelain Shampoo Bowls

CARE & CLEANING INSTRUCTIONS

You will find your shampoo bowl requires very little effort to maintain. By following the care and cleaning instructions below, you will ensure its lasting beauty.

1. It is recommended that a good grade of paste wax such as KIT auto-wax, or comparable, be applied to the bowl's surface monthly. This will help preserve the luster as well as protect against small abrasions. Liquid auto waxes may also be used, but these do not last like the paste.
2. Under normal conditions, cleaning with detergents and liquid cleaners such as Cinch, Mr. Clean, and 409 will do the job. We have found Cinch to work the best. Abrasive cleansers such as Bon Ami, Comet, and soft Scrub can be used. However, these cleaners contain abrasive materials and should only be used for the most stubborn areas.
3. Solvents, such as acetone, can be effective and will not damage the surface of a fiberglass or cultured marble bowl ... but acetone will damage acrylic shampoo bowls and the clear-acrylic on-off control.

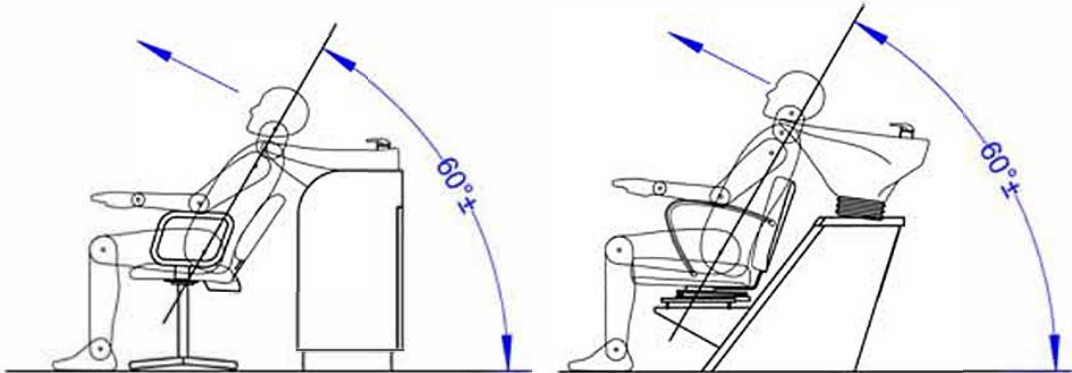
IMPORTANT

Under normal conditions, the above cleaning procedures will prove satisfactory. However, there is no way to foresee the many unusual conditions that might exist. Listed below are a few problems that could occur in some salon environments and suggested or recommended procedures for handling them.

1. **HARD WATER SCALE:** Use citric acid, vinegar, lemon juice, and in some cases liquid glass cleaners.
2. **GREASE STAINS or OIL RESIDUE:** Use strong solutions of a liquid detergent such as 409 or Mr. Clean.
3. **HAIR DYE or COLOR:** These products should not stain the gel-coated surface of your shampoo bowl. Occasionally, certain colors will leave a coating on the surface only. This should be removed as soon as possible using one of the liquid cleaners recommended earlier. If the coating of hair color persists, use Bon Ami or comparable.
4. **DRAIN CLEANERS:** These cleaners are highly alkaline or caustic chemicals and prolonged contact is harmful to the bowl's gel coated surface. Make sure the bowl has been thoroughly rinsed after use of these chemicals.
5. **CIGARETTE BURN STAINS:** Use Bon Ami, or in some cases, wet-sand lightly with a 600 grit wet/dry sandpaper. Then polish and buff with a light-duty polish-cleaner. Recommend Turtle Wax or Dupont #7 White Polishing Compound. These are not rubbing compounds.
6. **LIGHT SCRATCHES:** Depending on the severity, they can frequently be polished out following the procedure for cigarette burn stains.

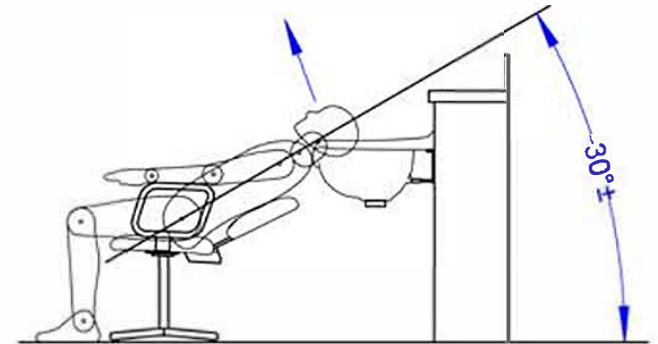
These polishing compounds & procedures are an excellent way to maintain or restore your bowl's original luster.

Comparing Backwash & Sidewash Shampoo Positions



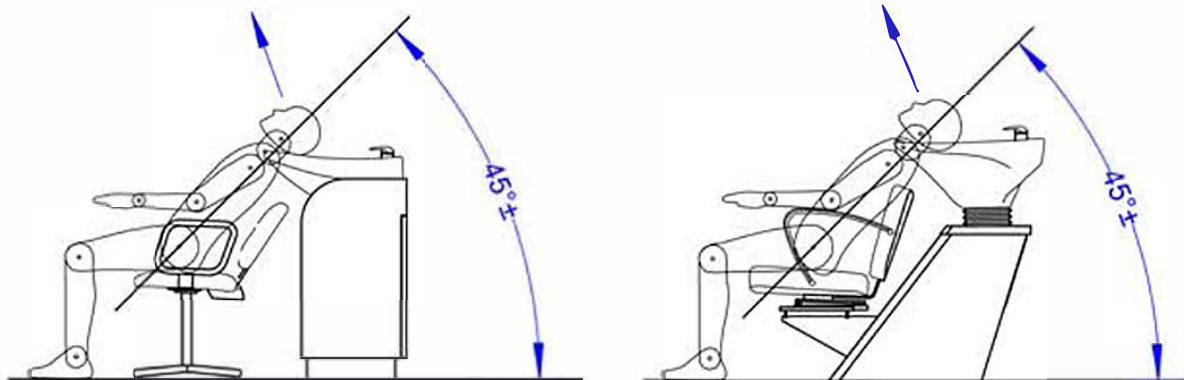
Correct Backwash Position:

Client is sitting upright & her lower back is against the seat back.
Neck rest height is 34" +/- and her neck is sealed against the neck rest.



Correct Sidewash Position:

Client is reclined with her lower back against the seat back.
Neck rest height is 30" +/- and her neck is cradled in the neck rest.



Incorrect Backwash Positions:

Client's back is arched, her lower back is not against the seat back & her neck is bent to mimic the reclined position of the sidewash. Water is likely to run down the client's back.
The neck rest is forced downward and the shampoo bowl "horns" contact the client's shoulders causing her neck not to seal against the neck rest.

