



ROUND TILTING PORCELAIN SHAMPOO BOWL

SKU:CB82

The Round Tilting Porcelain Shampoo Bowl is the perfect addition to your salon, with a reliable tilt mechanism that allows guests extra comfort. The porcelain construction ensures durability and aesthetics. Includes handle faucet, spray hose.

TECHNICAL INFORMATION

- Measures: Large 23 1/2"W x 21 1/2"D x 9"H
- Good for backwash or side-wash
- Reliable tilt mechanism that allows 6" of adjustment
- 570 Faucet
- Spray hose
- Vacuum breaker
- Drain assembly
- Hair strainer
- Flexible tail stock
- UPC approved

SHIPPING INFORMATION

Item generally ships via Freight(Truck) service

- Weight: 72 lbs
- Dimensions: 26"L x 26"W x 25"H

WARRANTY

5 YEARS:

- Collins ABS Shampoo Bowls

2 YEARS:

- Collins-Jeffco faucets and Porcelain Shampoo Bowls

1 YEAR:

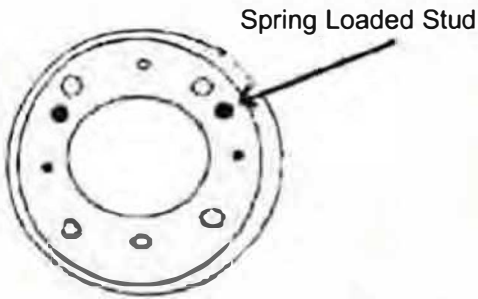
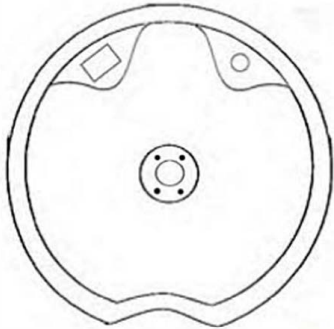
- All remaining components, unless noted otherwise, are guaranteed for a period of one year from the date of purchase.



Collins CB82-B / CB82-W Owner Instructions

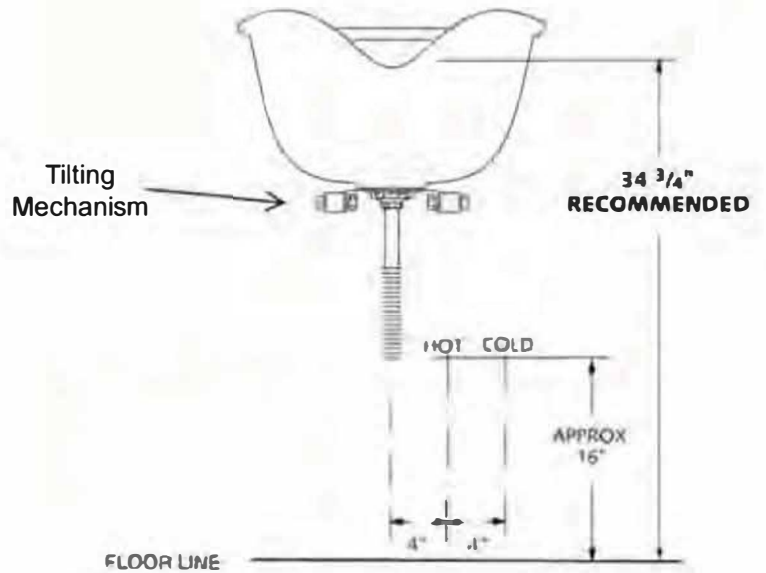
Parts List:

1. Tilting mechanism
2. Bolts & lock washert to attach the tilt
3. Faucet
4. Spray Hose
5. Vacuum Breaker



Note the orientation of the tilt mechanism. The spring-loaded studs must be toward the front of the bowl.

ROUGH-IN PLUMBING



Drain assembly and flexible tail stock not provided.

If used in wall-mounted system, ensure structural support is affixed to wall studs and capable of supporting 60 (sixty) pounds.



FULLY ASSEMBLED TILT MECHANISM

INTERIOR VIEW

Join to shampoo bowl w/ provided fasteners --- note the orientation..

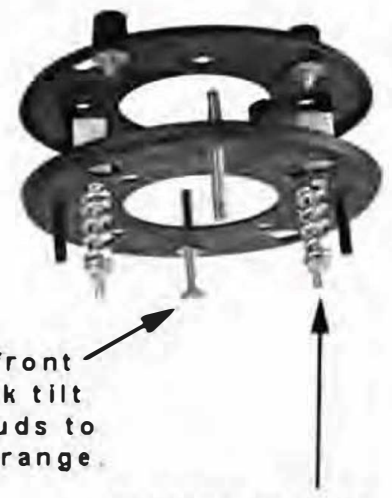


TOP VIEW w/ BOOT

BOTTOM VIEW w/ BOOT



Join to cabinet w/ the two side bolts & nuts.

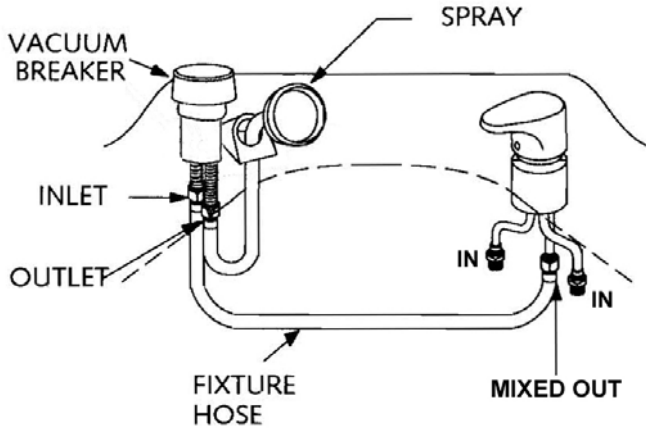


Adjust front and back tilt limit studs to set tilt range.

Tighten nuts to increase amount of tilt tension.

HOSE CONNECTIONS

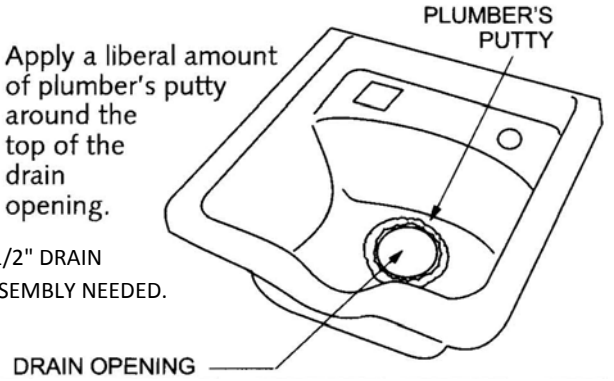
If your Bowl is equipped with a Vacuum Breaker, connect one end of the Fixture Hose to the inlet side of the Vacuum Breaker. Connect the other end to the Fixture Tailpiece. Attach the Spray Hose connector to the Vacuum Breaker outlet.



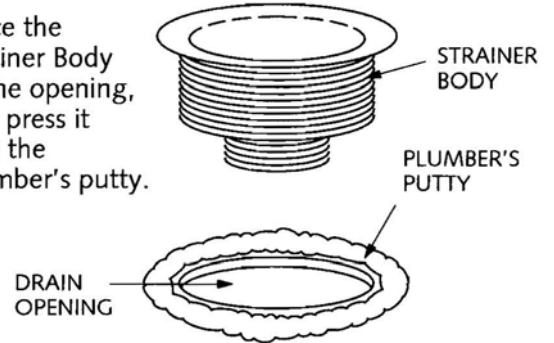
INSTALL THE DRAIN ASSEMBLY

Apply a liberal amount of plumber's putty around the top of the drain opening.

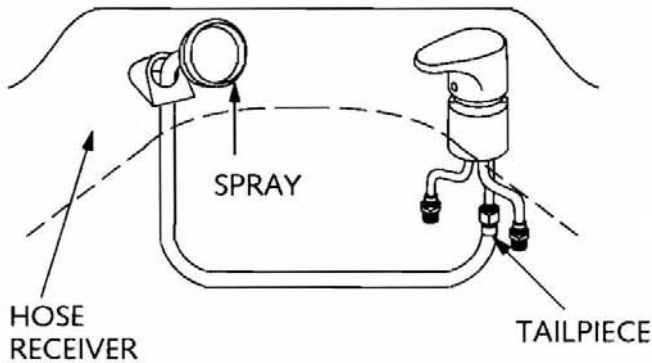
3 1/2" DRAIN ASSEMBLY NEEDED.



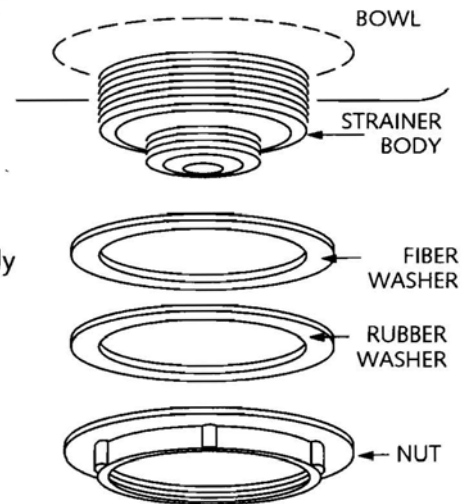
Place the Strainer Body in the opening, and press it into the plumber's putty.



If your Bowl is not equipped with a Vacuum Breaker attach the Spray Hose connector to the fixture tailpiece.

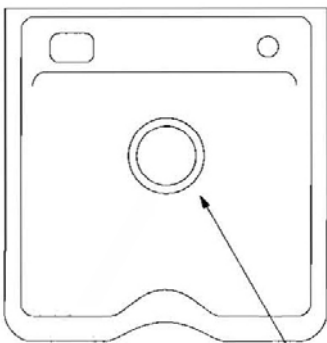
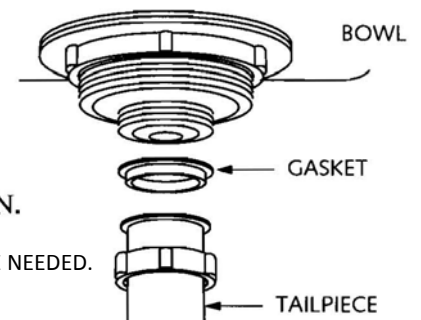


From the underside of the Bowl, place the Fiber and Rubber Washers over the Strainer Body. Secure the Strainer Body with the Nut. DO NOT OVERTIGHTEN. When the Strainer Body is tightened securely to the Bowl, clean off any excess plumber's putty.



Attach the Gasket and Tailpiece to the Strainer Body. DO NOT OVERTIGHTEN.

FLEXIBLE TAIL PIECE NEEDED.



IMPORTANT!
DO NOT OVERTIGHTEN
DRAIN ASSEMBLY!

3 1/2" BASKET STRAINER