



OVERSIZED TILTING PORCELAIN SHAMPOO BOWL

SKU:CB87



This beautiful and functional Oversized Tilting Shampoo Bowl is designed for extra guest comfort. The reliable tilting mechanism, wide round bowl and porcelain surface are combined in this bowl to provide an optimal experience for guest and technician.

TECHNICAL INFORMATION

- Measures: Large 21"W x 24"D x 11"H
- Reliable tilt mechanism that allows 6" of adjustment
- 570 Faucet
- Spray hose
- Vacuum breaker
- Drain assembly
- Hair strainer
- Flexible tail stock
- UPC approved

SHIPPING INFORMATION

Item generally ships via Freight(Truck) service

- Weight: 72 lbs
- Dimensions: 26"L x 26"W x 25"H

WARRANTY

5 YEARS:

- Collins ABS Shampoo Bowls

2 YEARS:

- Collins-Jeffco faucets and Porcelain Shampoo Bowls

1 YEAR:

- All remaining components, unless noted otherwise, are guaranteed for a period of one year from the date of purchase.

Part #: CB87
Description: Collins Large Tilting Backwash Porcelain Bowl

Standard Features:

- Reliable tilt mechanism that allows 6" of adjustment
- 570 faucet
- Spray hose
- Vacuum breaker
- Drain assembly
- Hair strainer
- Flexible tail stock



Specifications:

Collins Large Backwash Porcelain Bowl w/ 570 single-handle faucet, spray hose, vacuum breaker, drain assembly, fixed and flexible tail-stock. INCLUDES tilt mechanism with 6" range. Large 21"W x 24"D x 11"H. Black or White.

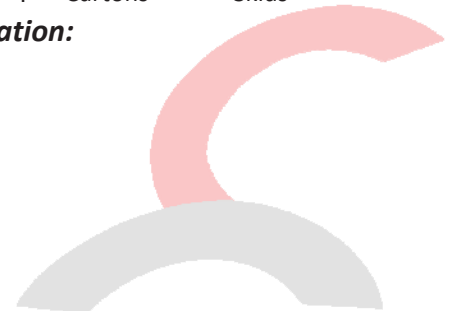
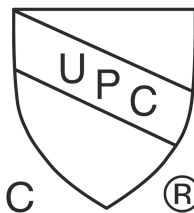
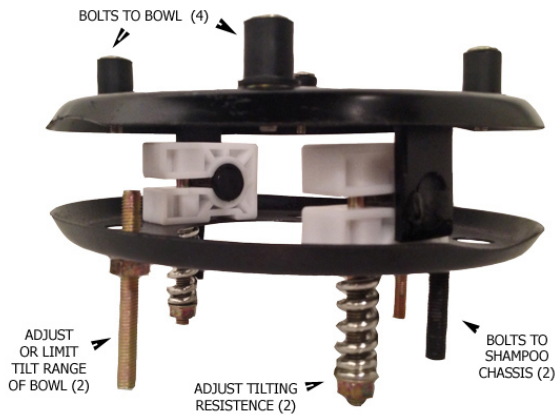
Optional Features:

- Available in black or white
-
-
-

Shipping and Assembly/Installation Information

Assembly Required:	<input checked="" type="checkbox"/>	Yes	<input type="checkbox"/>	No
Electrical Required:	<input type="checkbox"/>	Yes	<input checked="" type="checkbox"/>	No
Plumbing Required:	<input checked="" type="checkbox"/>	Yes	<input type="checkbox"/>	No
Ship Dimensions	24	"W x 28	"D x 15	"H
Total Ship Weight	50	LBS		
# of Ship Pieces	1	Cartons		Skids

Additional Information:



Collins CB87 PORCELAIN Shampoo Bowl w/ 570 Faucet & 388 vacuum breaker, 24" x 21" x 10"



FULLY ASSEMBLED TILT MECHANISM

INTERIOR VIEW

Join to shampoo bowl w/ provided fasteners --- note the orientation..



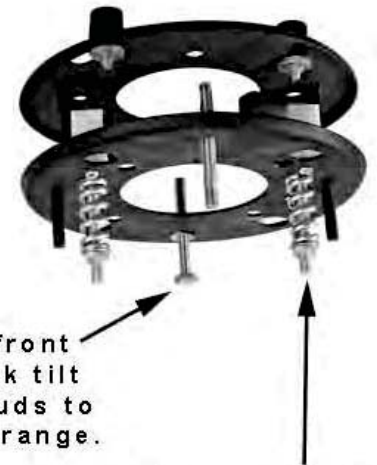
TOP VIEW w/ BOOT

BOTTOM VIEW w/ BOOT



Join to cabinet w/ the two side bolts & nuts.

Adjust front and back tilt limit studs to set tilt range.



Tighten nuts to increase amount of tilt tension.



Collins CB87 PORCELAIN Bowl - Included Accessories



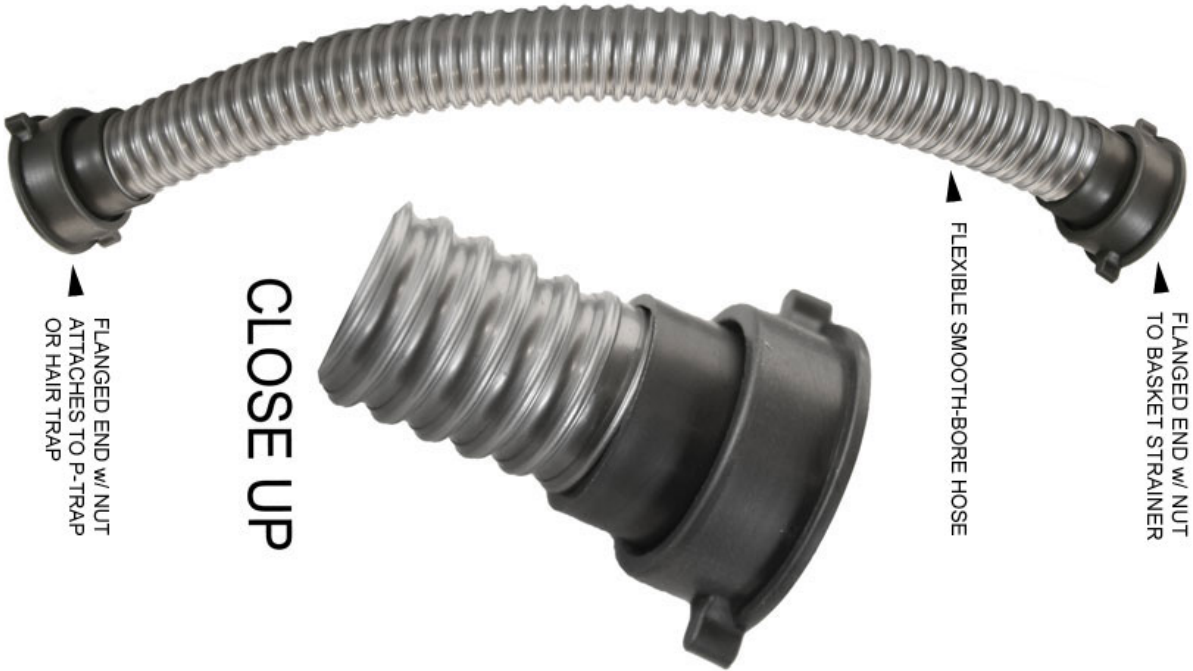
662S Drain Assembly

Strainer basket assembly for Tilting bowls. Heavy-duty construction, premium gaskets, center tightening bolt that clamps bowl, metal hair strainer, metal tail stock.

Fits all brand shampoo bowls with standard 3 1/2" hole for drain.

zoom image

Item#	Description	MSRP	Salon Price*
662S	662S Drain Assembly for Tilting Bowls	\$62.50	\$31.25



FLANGED END w/ NUT
ATTACHES TO P-TRAP
OR HAIR TRAP

CLOSE UP

FLEXIBLE SMOOTH-BORE HOSE

FLANGED END w/ NUT
TO BASKET STRAINER

Flexible Drain Line
P/N 20129



Collins CB87 PORCELAIN Bowl - Included Accessories



[+ zoom image](#)

388-ASC VB

Anti-Siphon Vacuum Breaker for Jeffco Bowls, but fits most brands.

Frequently required by code, the 388-ASC vacuum breaker prevents the back-flow of unwanted water into the drinking water supply.

The chrome-body vacuum breaker comes with gasket, 1/4" brass nipples, and 20" EDPM connecting hose.

ASSE Listed 1001; CSA Certified; IAPMO listed.



Item#	Description	MSRP	Salon Price*
388-ASC	Vacuum Breaker Anti-Siphoning Back-Flow Preventer	\$125.00	\$62.95



[+ zoom image](#)

561 Spray Hose

48" Jeffco Spray & Hose.

Unaffected by water, soap solution, or dyes, the black hose delivers a concentrated needle-point non-splash spray.

The Jeffco 561 Spray Hose can be used with all Jeffco bowls & fixtures and as replacements for other brands.

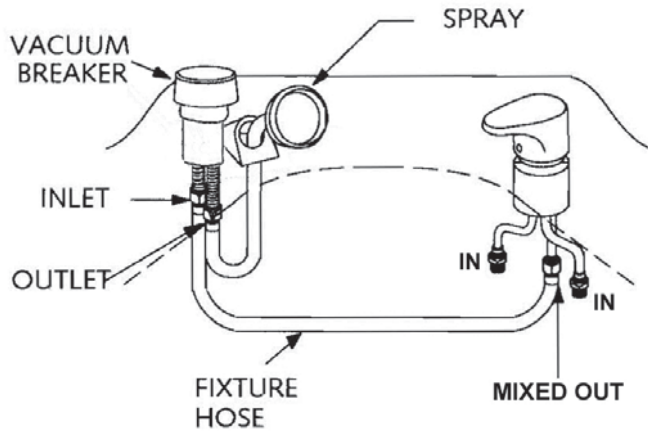
Available in black only.

Item#	Description	MSRP	Salon Price*
561	Universal Whiz Spray Hose, 48 inch	\$18.75	\$9.95



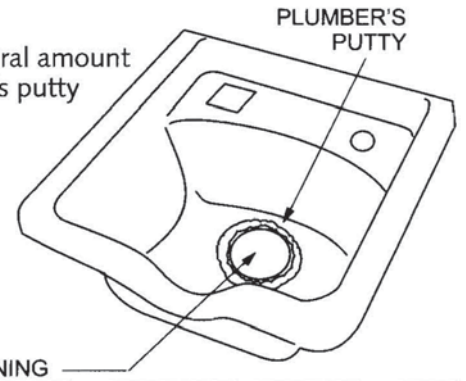
HOSE CONNECTIONS

If your Bowl is equipped with a Vacuum Breaker, connect one end of the Fixture Hose to the inlet side of the Vacuum Breaker. Connect the other end to the Fixture Tailpiece. Attach the Spray Hose connector to the Vacuum Breaker outlet.

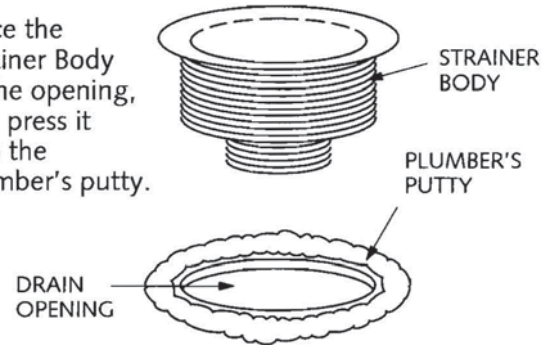


INSTALL THE DRAIN ASSEMBLY

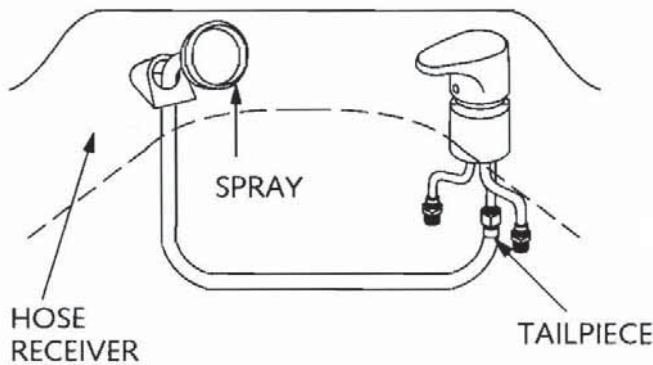
Apply a liberal amount of plumber's putty around the top of the drain opening.



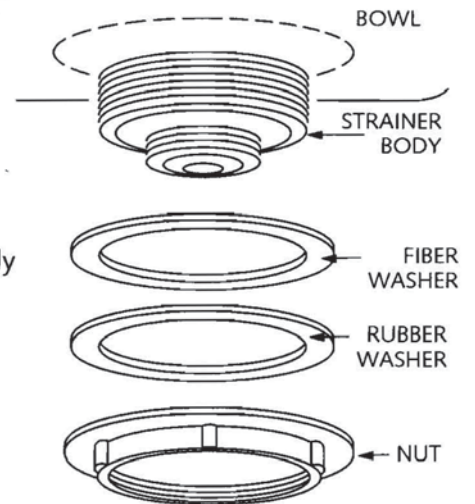
Place the Strainer Body in the opening, and press it into the plumber's putty.



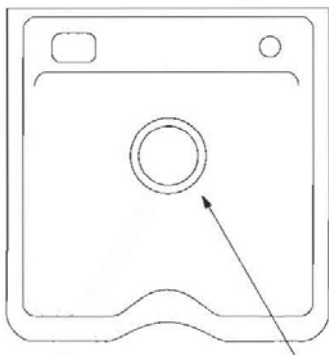
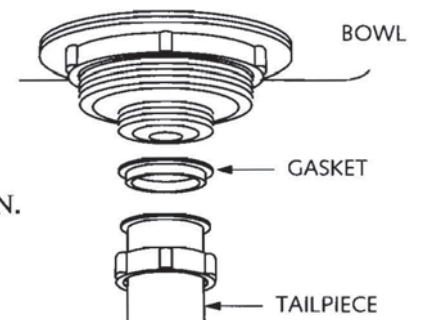
If your Bowl is *not* equipped with a Vacuum Breaker attach the Spray Hose connector to the fixture tailpiece.



From the underside of the Bowl, place the Fiber and Rubber Washers over the Strainer Body. Secure the Strainer Body with the Nut. **DO NOT OVERTIGHTEN.** When the Strainer Body is tightened securely to the Bowl, clean off any excess plumber's putty.



Attach the Gasket and Tailpiece to the Strainer Body. **DO NOT OVERTIGHTEN.**



IMPORTANT!
DO NOT OVERTIGHTEN
DRAIN ASSEMBLY!

3 1/2" BASKET STRAINER

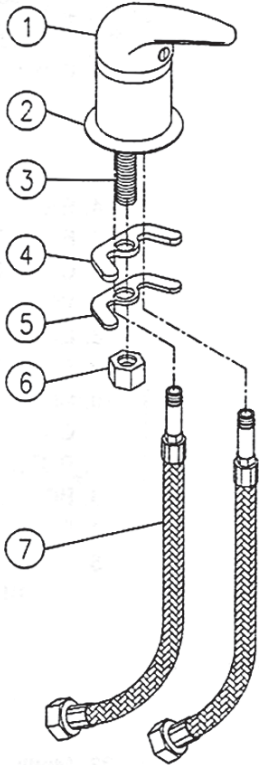
INSTALLATION INSTRUCTIONS

MODEL NUMBER : 570

CHROME LEVER-HANDLE FAUCET



INSTALLATION GUIDELINES



ENGLISH

1. Unscrew the fixed parts (such as (#6) fix nut, (#5) brass washer, (#4) rubber washer) from the faucet.
2. Have the two (#7) flexible hoses screwed to the hot/cold water outlet accordingly.
3. Put the (#1) Main body and (#2) Base of the main body from the top to line up with the reserved hole on basin.
4. From the bottom, secure the (#4) rubber washer, (#5) brass washer in the order by screwing the (#6) fix nut to the (#3) retaining mounting tube.

ESPAÑOL

1. Desatorille las partes que contengan roscas (como por ejemplo #6, atornillador de cobre #5 y atornillador de plástico #4) de la llave.
2. Conecte las dos mangueras (parte #7) a la conexión de el agua caliente/fría como sea necesario.
3. Ponga la llave principal (parte #1) y la base (parte #2) en el hoyo de arriba designado específicamente para este uso.
4. De la parte de abajo del lavado, apriete en orden el atornillador de plástico (parte #4) luego el atornillador de cobre (parte #5) reforzándolos con la rosca #6 en el tubo de montaje (parte #3).

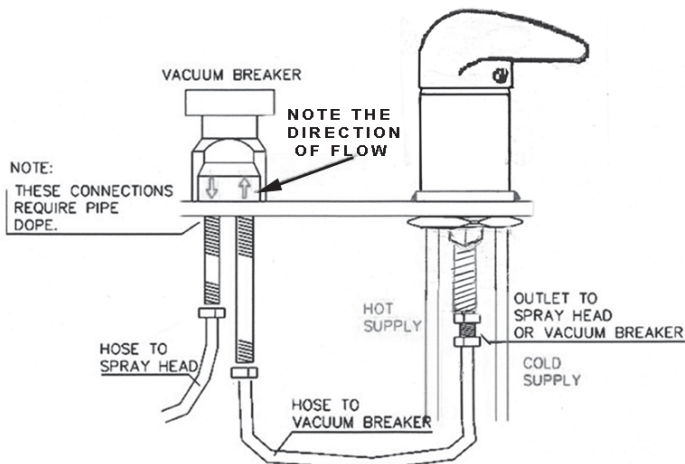
FRANCAIS

1. Dévissez les pièces fixes (telles que l'écrou de difficulté #6, la rondelle #5 en laiton, et la rondelle #4 en caoutchouc) du robinet
2. Ayez les deux tuyaux #7 flexibles vissés à la sortie eau chaude/froide en conséquence.
3. Mettez le corps #1 principal et la base #2 du corps principal à partir du dessus pour aligner avec le trou réservé en bassin.
4. Du fond, fixez la rondelle #4 en caoutchouc et la rondelle #5 en laiton dans l'ordre en vissant l'écrou de la difficulté #6 au #3 maintenant le tube de support.

CORRECT HOSE CONNECTIONS FOR VACUUM BREAKER

ESPAÑOL: CONEXIONES CORRECTAS de la MANGUERA para el TRITURADOR del VACÍO

FRANCAIS: RACCORDEMENTS CORRECTS de TUYAU pour le BRISEUR de VIDE



ENGLISH: Arrows on the vacuum breaker indicate directional flow of water. Device will leak and not work properly if installed with water flow reversed.

ESPAÑOL: Las flechas en el triturador del vacío indican el flujo direccional de agua. El dispositivo se escapará y no funcionará correctamente si está instalado con la corriente invertida.

FRANCAIS: Les flèches sur le briseur de vide indiquent l'écoulement directionnel de l'eau. Le dispositif coulera et ne fonctionnera pas correctement s'installé avec l'écoulement d'eau a renversé.

VACUUM BREAKER WILL LEAK IF WATER FLOW IS REVERSED



Jeffco Salon Equipment, LLC
2000 Bowser Road
Cookeville, TN 38506
www.jeffcosalonequipment.com

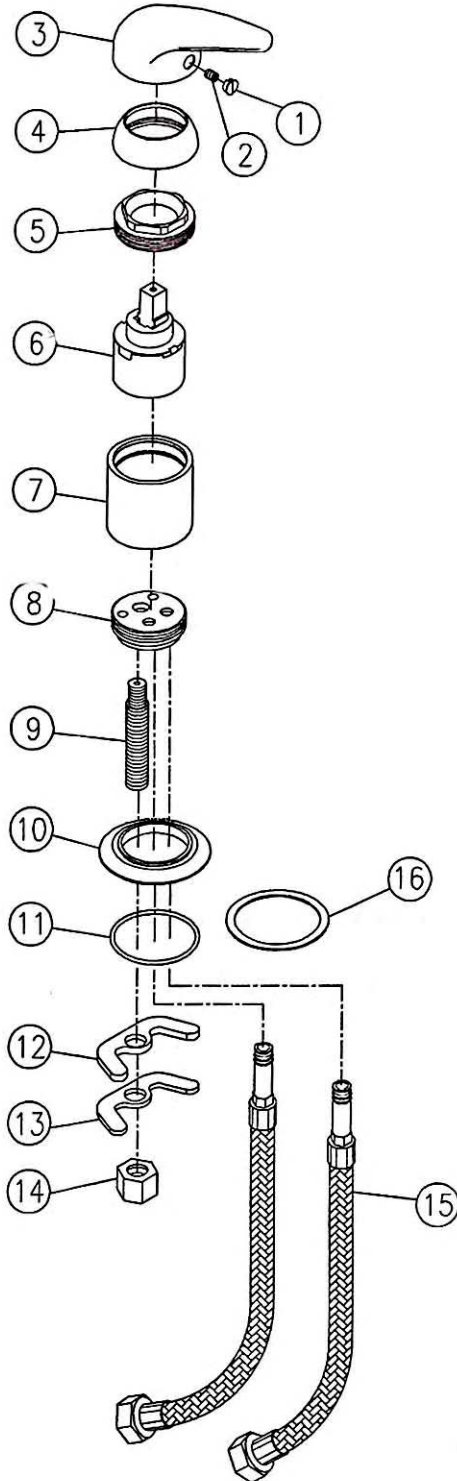
INSTALLATION INSTRUCTIONS

MODEL NUMBER : 570

CHROME LEVER-HANDLE FAUCET



ILLUSTRATED PARTS LIST



ENGLISH:

- 01. INDEX BUTTON
- 02. HANDLE SCREW
- 03. HANDLE
- 04. ESCUTCHEON
- 05. ESCUTCHEON NUT
- 06. CARTRIDGE: VALVE
- 07. VALVE SLEEVE
- 08. DRAIN
- 09. SPOUT ADAPTER
- 10. SPOUT BASE
- 11. O-RING
- 12. RUBBER WASHER
- 13. BRASS WASHER
- 14. SUPPLY NUT
- 15. STEEL HOSE
- 16. RUBBER WASHER

ESPAÑOL:

- 01. Tornillo de Seguridad
- 02. Tornillo de Ajuste
- 03. Manija
- 04. Abrazadera
- 05. Abrazadera con Ajuste
- 06. Valvula de Soporte
- 07. Valvula Cobertora
- 08. Destape
- 09. Adaptador de Destape
- 10. Base de Destape
- 11. Anillo "O"
- 12. Abrazadera de Plastico
- 13. Abrazadera de Cobre
- 14. Tuerca
- 15. Manguera de Acero
- 16. Arandela de gome

FRANCAIS:

- 01. BOUTON D'INDEX
- 02. VIS DE POIGNÉE
- 03. POIGNÉE
- 04. CACHE
- 05. ÉCROU DE CACHE
- 06. CARTOUCHE - VALVE
- 07. DOUILLE DE VALVE
- 08. DRAIN
- 09. ADAPTEUR DE BEC
- 10. BASE DE BEC
- 11. JOINT CIRCULAIRE
- 12. RONDELLE EN CAOUTCHOUC
- 13. RONDELLE EN LAITON
- 14. ÉCROU D'APPROVISIONNEMENT
- 15. TUYAU EN ACIER
- 16. RONDELLE EN CAOUTCHOUC



www.jeffcosalonequipment.com



Jeffco Salon Equipment, LLC
2000 Bowser Road
Cookeville, TN 38506



Collins CB-87 Tilting Shampoo Bowl

CARE & MAINTENANCE

GENERAL CLEANING: Harsh chemicals and disinfectants may damage your new 8700 Shampoo Bowl. For the best results, use soap and water and/or non-abrasive cleaners. Review the instructions on the bottle before applying any cleaner to the surface. For best results, we recommend the following cleaners be used:

WINDEX, GLASS PLUS, FORMULA 409, MR. CLEAN, SPIC & SPAN, CLOROX

The following cleaners are not recommended for use and may even damage your shampoo bowl:

LYSOL DISINFECTANT SPRAY, LESTOIL, INESOL, WHITECAP, or
DOW DISINFECTANT BATHROOM CLEANER,

ABRASIONS & SCRATCHES: Light abrasions and scratches may be removed and the original gloss substantially restored by using the following materials:

NOVUS PLASTIC POLISH, PERMATEX PLASTIC CLEANER #430D, TURTLEWAX
POLISHING COMPUND, J-WAX AUTOMOTIVE CLEANER/WAX.

FOR MORE STUBBORN STAINS: The following agents may be effective with more stubborn stains, but these agents must be removed quickly and the bowl then be thoroughly cleaned with soap & water to avoid permanent damage.

KEROSENE, RUBBING ALCOHOL mixed with 50% water, TRIALENE SOAP, GASOLINE.

WIPE OFF COLOR and CHEMICALS IMMEDIATELY! PROLONGED EXPOSURE TO THESE CHEMICALS CAN PERMANENTLY DISCOLOR OR DAMAGE THE 8700 BOWL'S FINISH. DO NOT PUT NAIL CARE PRODUCTS, ACETONES, KETONES, ESTERS, OR AROMATIC HYDROCARBONS IN THE SHAMPOO BOWL.

Failure to follow the above instructions, or use of cleaning products not listed above will void the factory warranty.