



## 43522.1 EMPIRE ISLAND

SKU:43522.1

Designed by and built for Empire Beauty Schools is an Island station made for two students.

### TECHNICAL INFORMATION

---

- Measures: 42"W x 34"D x 84"H
- Stainless steel mirror frame
- Stainless steel base
- Holder
  - Blow dryer
  - Curling iron
  - Clippers

### SHIPPING INFORMATION

---

- 1 Skid
- 30"W x 60"L x 28"H
- 175 lbs
- 1 Skid
- 32"W x 48"L x 48"H
- 250 lbs

### WARRANTY

---

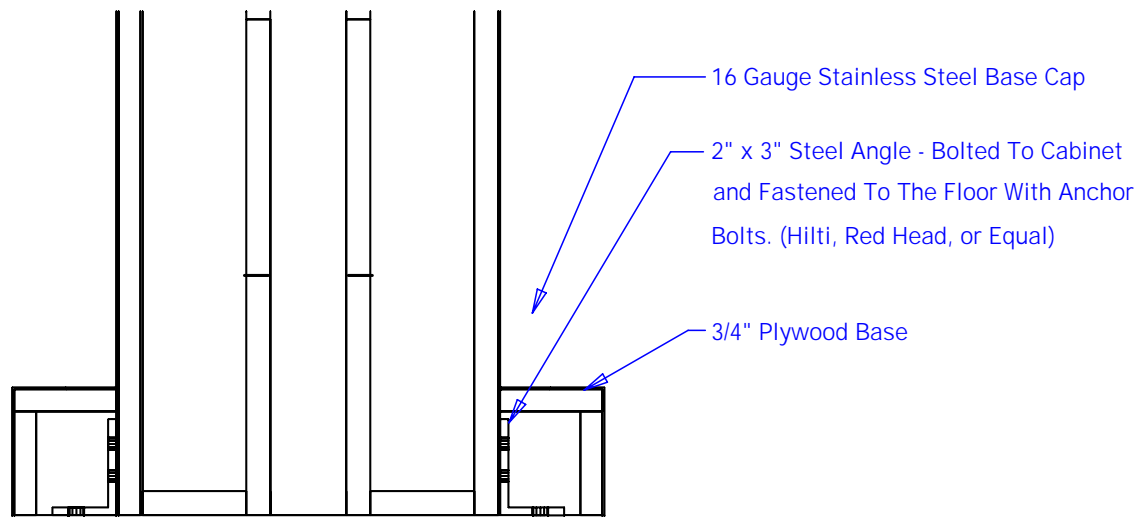
#### 3 Years:

- Ball-Bearing Drawer Slides
- Cabinet hinges

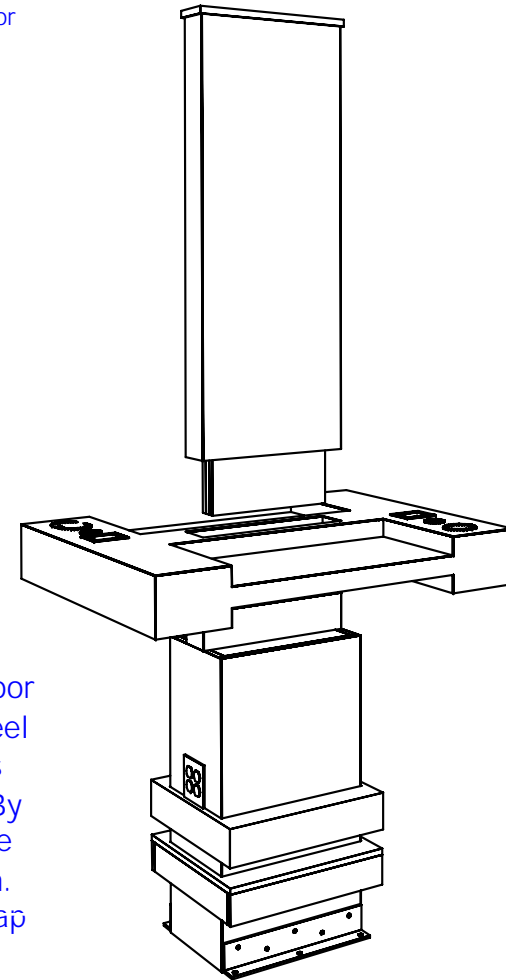
#### 1 Year:

- All remaining components, unless noted otherwise, are guaranteed for a period of one year from the date of purchase.





Mirror (Not Shown) Are Attached To Column With French Cleats.



The Work Surface Is Attached To The Lower Column and Fastened With Screws. The Upper Column Is Then Attached To The Lower Base And Work Surface With Screws.

Lower Column Is Fastened To Floor By Anchor Bolts Through The Steel Angle. Then The Plywood Base Is Attached To The Lower Column By Screwing Through The End Of The Base Cap Into The Lower Column. Then The Stainless Steel Base Cap Is Screwed To The Base.

### Finish Schedule - EBS.01

Face Color -  
 Top Color -  
 Toe Color - Stainless Steel  
 Pulls - N/A  
 Interior - N/A  
 Quad Outlets - White Receptacles -

### General Notes:

1. All counter tops are to be made removable wherever possible.
2. Items must be broken into manageable sections For Shipping. Mark For Ease Of Reassembly.
3. Install Shipping Cleats Wherever Possible To Prevent Shipping Damage.
4. Purchased items Must Be Trial Fit Before Shipping.

<b>collins</b>		Collins Manufacturing 809 E 20th Street Cookeville TN 38501	
Title: 43522.1 Student Island			
Size:	#: EBS.01	Drawn By: Mike	
Date:			Sheet #: 2