



SANN COMFORT WASH

SKU:2875



For the ultimate in backwash experience, the Sann Comfort Wash is as comfortable and functional as it is beautiful. Featuring expertly tailored cushions, motorized front to back adjustment to accommodate different height individuals with controls at the touch of the stylist or clients left hand, motorized footrest for the most relaxing positioning at the clients right hand, and tilting shampoo bowl mounted to solid surface counter top, the Sann Comfort Wash has it all - not to mention the "dialed-in" ergonomic dimensions that are tried and true with all Collins backwash units.

Specify shampoo bowl color, laminated chassis color, and upholstery color when ordering. Solid surface top available in Designer White only.

TECHNICAL INFORMATION

- Width between the arms 23"
- Width outside the arms 29"
- Height to the top of the back 33"
- Height to top of seat 18.5"
- Depth of seat 20.5"
- Overall depth 46"
- Overall depth w/ footrest & chair completely extended 69"
- 2Amps - Power requirement that plugs into standard 120V receptacle

SHIPPING INFORMATION

- Weight 250 lbs
- Dimensions: 32"W x 48"D x 42"H
- Bowl weight 72 lbs
- Bowl dimensions 26"L x 26"W x 25"H

WARRANTY

3 Year:

- Molded urethane arms
- Cabinet drawer-slides

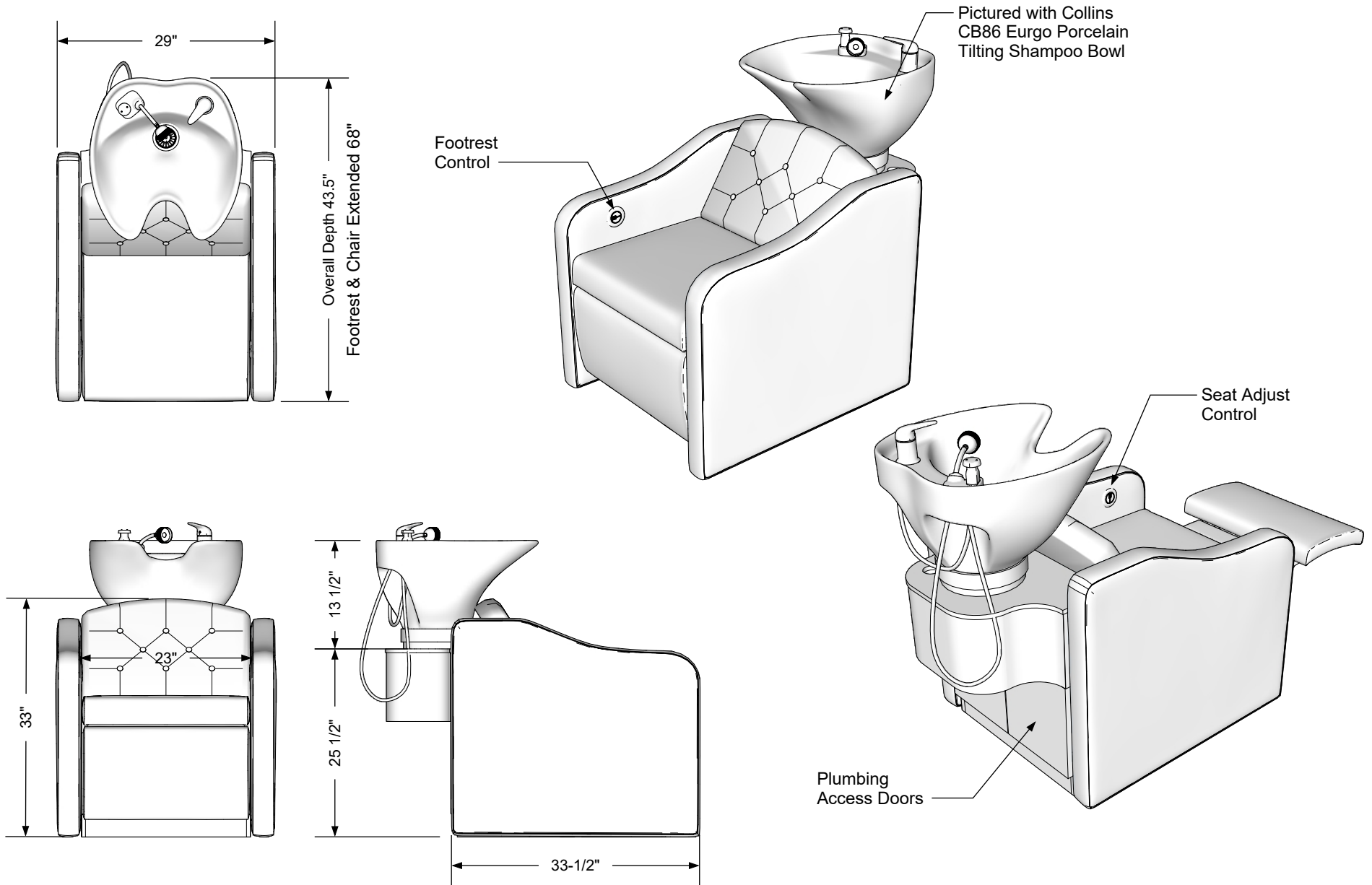
2 Year:

- All Shampoo Bowls
- Vacuum breakers

1 Year:

- All remaining components, unless noted otherwise






Additional Information

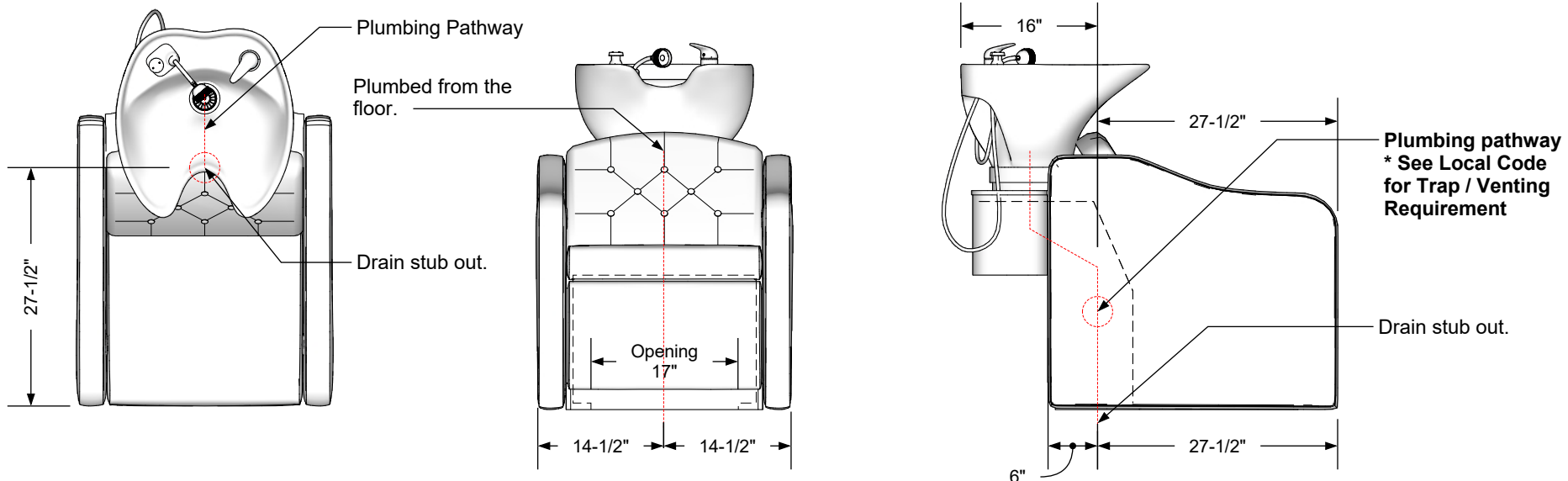
Assembly required - yes
 Electrical required - yes
 Plumbing required - yes
 Wall blocking required - no
 Other (specify) - n/a
 Other (specify) - n/a
 Other (specify) - n/a
 Other (specify) - n/a

Specification Drawing

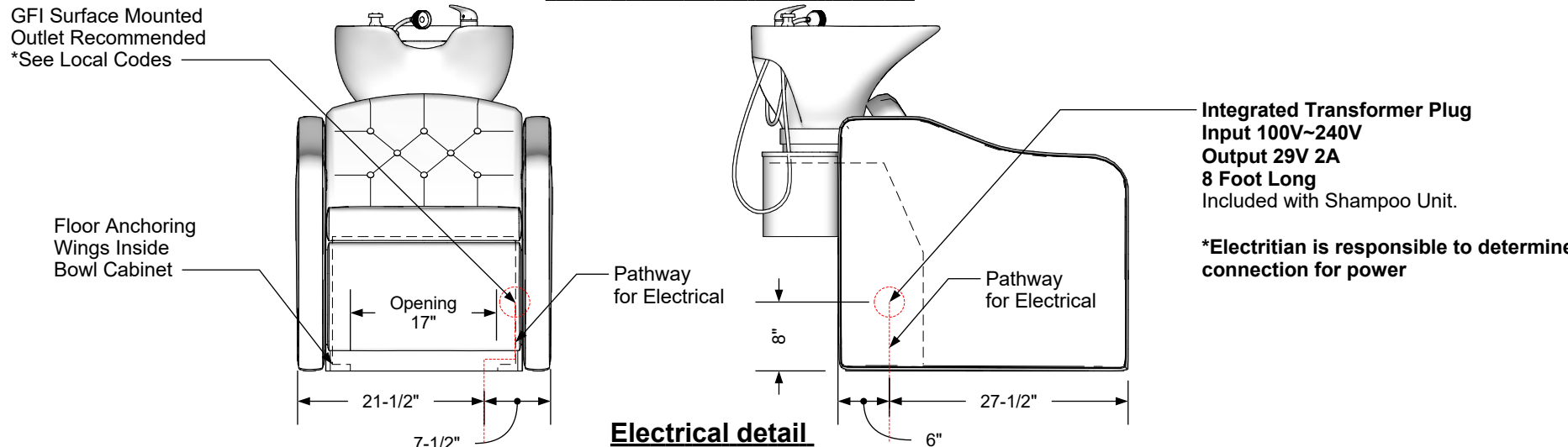
This **Specification Drawing** is intended for communicating the basic description, function, appearance, dimensions, features, and installation of an item as manufactured by Collins Manufacturing Company. Because this drawing does not contain project specific information such as quantities, finishes, or options, it is not an approval drawing and does not require a signature. This drawing remains the property of Collins Manufacturing Company and must not be used against the interests of Collins Manufacturing Company.

Product Information

		Collins Manufacturing 2000 Bowser Road Cookeville, TN 38506	
Name: Sann Comfort Wash			
Size: NTS	Part Number: 2875	Drawn By: Eng	
Prepared Date: 2/17/21	Revision Date: 2/18/21	Revision Number: REV1	Sheet: 1 of 3



Plumbing stub out detail
*Please Consult Local Codes



Electrical detail
*Please Consult Local Codes

Additional Information

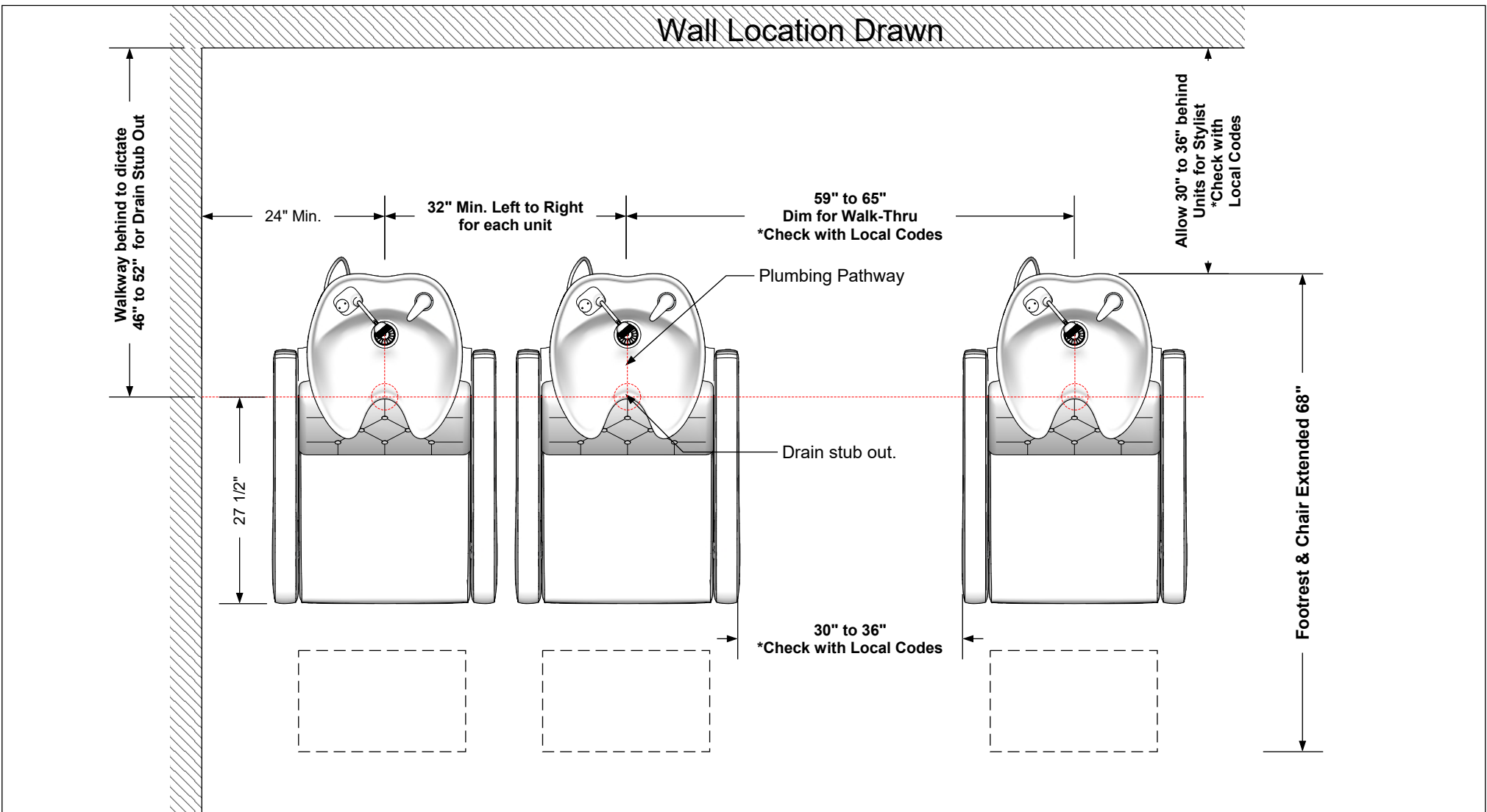
- Assembly required - yes
- Electrical required - yes
- Plumbing required - yes
- Wall blocking required - no
- Other (specify) - n/a
- Other (specify) - n/a
- Other (specify) - n/a
- Other (specify) - n/a

Specification Drawing

This **Specification Drawing** is intended for communicating the basic description, function, appearance, dimensions, features, and installation of an item as manufactured by Collins Manufacturing Company. Because this drawing does not contain project specific information such as quantities, finishes, or options, it is not an approval drawing and does not require a signature. This drawing remains the property of Collins Manufacturing Company and must not be used against the interests of Collins Manufacturing Company.

Product Information

		Collins Manufacturing 2000 Bowser Road Cookeville, TN 38506	
Name: Sann Comfort Wash			
Size: NTS	Part Number: 2875	Drawn By: Eng	
Prepared Date: 2/17/21	Revision Date: 2/18/21	Revision Number: REV1	Sheet: 2 of 3



Multi Unit Recommended Spacing Configuration
***Please Consult Local Codes**

Additional Information

Assembly required - yes
 Electrical required - yes
 Plumbing required - yes
 Wall blocking required - no
 Other (specify) - n/a
 Other (specify) - n/a
 Other (specify) - n/a
 Other (specify) - n/a

Specification Drawing

This **Specification Drawing** is intended for communicating the basic description, function, appearance, dimensions, features, and installation of an item as manufactured by Collins Manufacturing Company. Because this drawing does not contain project specific information such as quantities, finishes, or options, it is not an approval drawing and does not require a signature. This drawing remains the property of Collins Manufacturing Company and must not be used against the interests of Collins Manufacturing Company.

Product Information

collins		Collins Manufacturing 2000 Bowser Road Cookeville, TN 38506	
Name: Sann Comfort Wash			
Size: NTS	Part Number: 2875	Drawn By: Eng	
Prepared Date: 2/17/21	Revision Date: 2/18/21	Revision Number: REV1	Sheet: 3 of 3