



COAT RACK

SKU:2071-48



This stylish wall mounted Coat Rack features a sturdy metal bar for convenient storage. A great alternative to bulky, space-hogging standing coat racks, this compact wall mounted design makes it easy to store coats off the floor and keep your entryway clutter free.

TECHNICAL INFORMATION

- 48"W x 26"D x 16"H
- Wall-mounted with metal bar for coat storage
- Available in a wide ADA version featuring long coat storage and an ADA compliant coat rack - p/n 2072-72

SHIPPING INFORMATION

Item generally ships via Freight(Truck) service

- Weight: 90 lbs
- Dimensions: 54"L x 32"W x 24"H

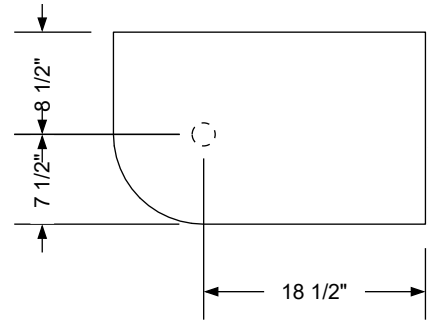
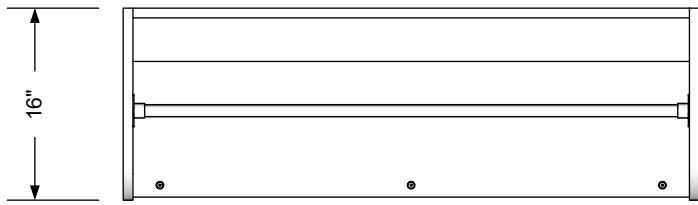
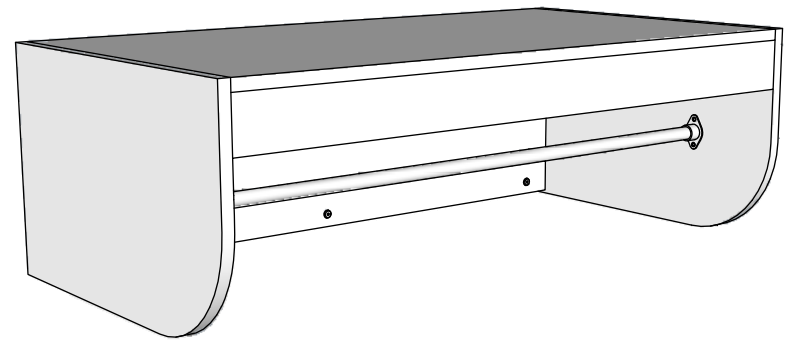
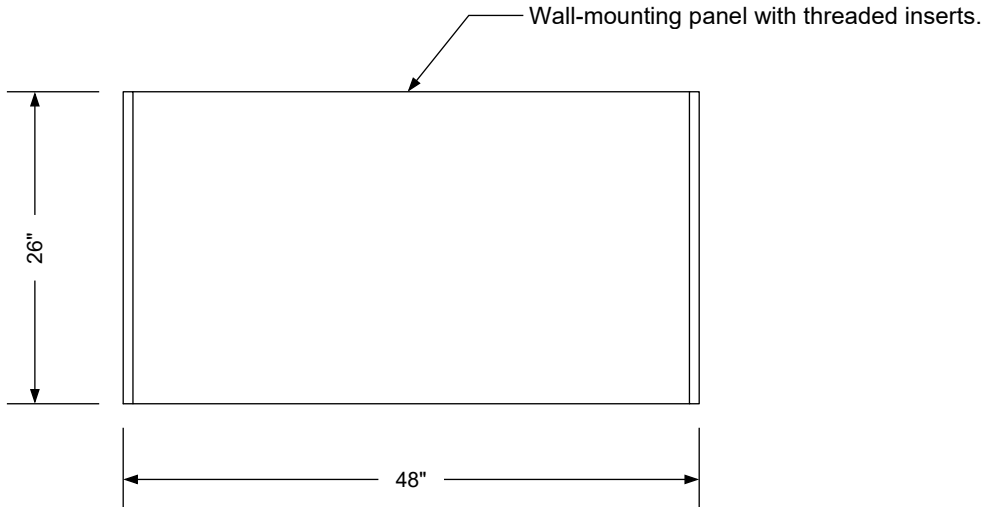
WARRANTY

Warranty

Collins Beauty & Barber Equipment is carefully manufactured, thoroughly inspected, and guaranteed against defects in material or workmanship for 1 year unless otherwise stated.

Tech-Support:
Toll-free: 855-757-6877
Email: techsupport@collins.co

On-site diagnosis is not available.



Additional Information

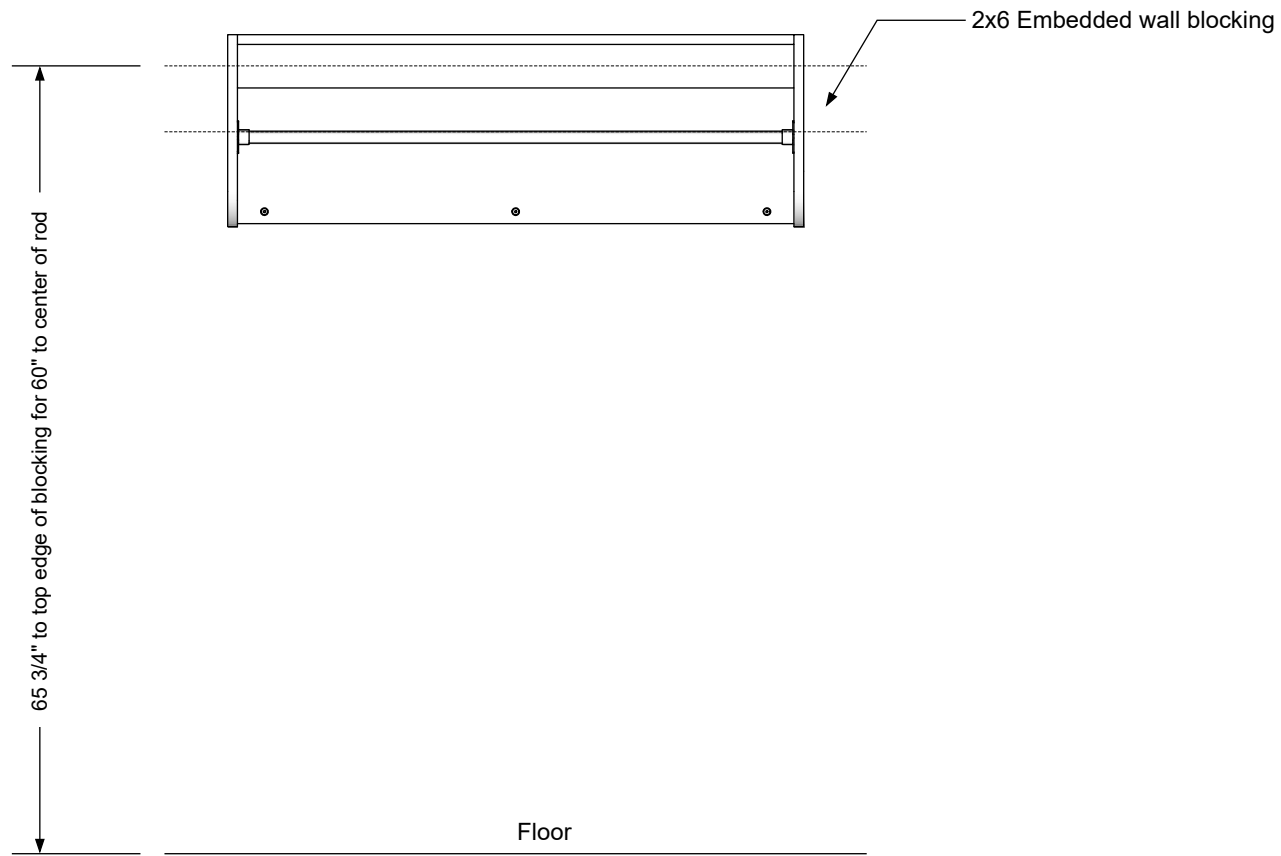
Assembly required - no
 Electrical required - no
 Plumbing required - no
 Wall blocking required - yes
 COM yardage/laminate usage - 42 sf
 Wall mounted - height to be determined
 Other (specify) - n/a
 Other (specify) - n/a

Specification Drawing

This **Specification Drawing** is intended for communicating the basic description, function, appearance, dimensions, and features of an item as manufactured by Collins Manufacturing Company. Because this drawing does not contain project specific information such as quantities, finishes, or options, it is not an approval drawing and does not require a signature. This drawing remains the property of Collins Manufacturing Company and must not be used against the interests of Collins Manufacturing Company.

Product Information

		Collins Manufacturing 2000 Bowser Road Cookeville, TN 38506	
Name: Coat Rack			
Size: NTS	Part Number: 2071-48	Drawn By: Eng	
Prepared Date: 4/13/20	Revision Date: 10/16/20	Revision Number: Rev #1	Sheet: 1 of 2



Wall blocking detail


Additional Information

Assembly required - no
 Electrical required - no
 Plumbing required - no
 Wall blocking required - yes
 COM yardage/laminate usage - 42 sf
 Wall mounted - height to be determined
 Other (specify) - n/a
 Other (specify) - n/a

Specification Drawing

This **Specification Drawing** is intended for communicating the basic description, function, appearance, dimensions, and features of an item as manufactured by Collins Manufacturing Company. Because this drawing does not contain project specific information such as quantities, finishes, or options, it is not an approval drawing and does not require a signature. This drawing remains the property of Collins Manufacturing Company and must not be used against the interests of Collins Manufacturing Company.

Product Information

		Collins Manufacturing 2000 Bowser Road Cookeville, TN 38506	
Name: Coat Rack			
Size: NTS	Part Number: 2071-48	Drawn By: Eng	
Prepared Date: 4/13/20	Revision Date: 10/16/20	Revision Number: Rev #1	Sheet: 2 of 2