



MILLENNIUM CURVED DESK

SKU:2034-85



The Millennium Curved Reception Desk features all the essential components of a beautiful and functional reception desk shelving, a locking drawer, and a built in storage cabinet. Hand-made, this stunning piece can be customized to function exceptionally well in your space and give your receptionist an ideal location to keep your salon running efficiently.

TECHNICAL INFORMATION

- 85"W x 35"D x 42"H
- Ticket slots
- Locking drawer
- Built in storage cabinet

SHIPPING INFORMATION

Item generally ships via Freight(Truck) service

- Weight: 560 lbs
- Dimensions: 96"L x 42"W x 50"H

WARRANTY

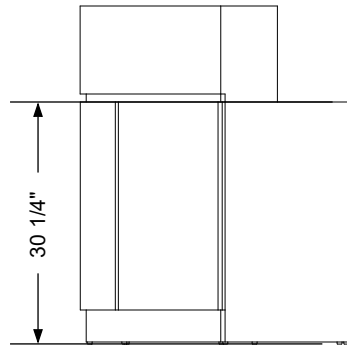
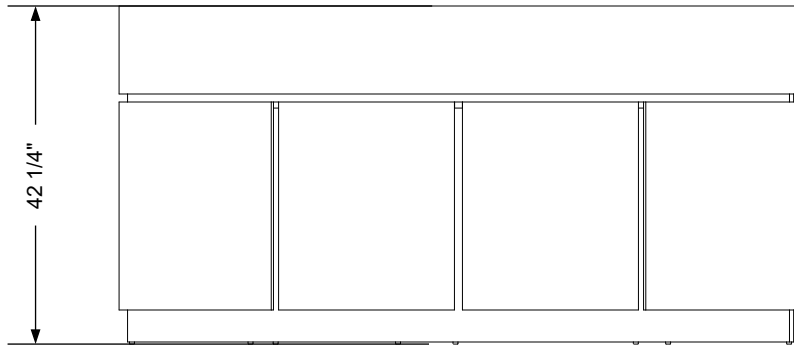
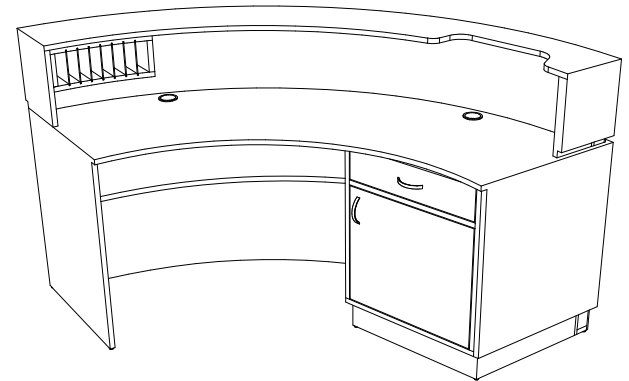
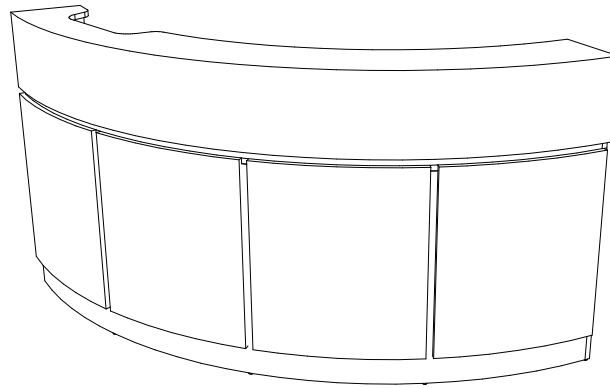
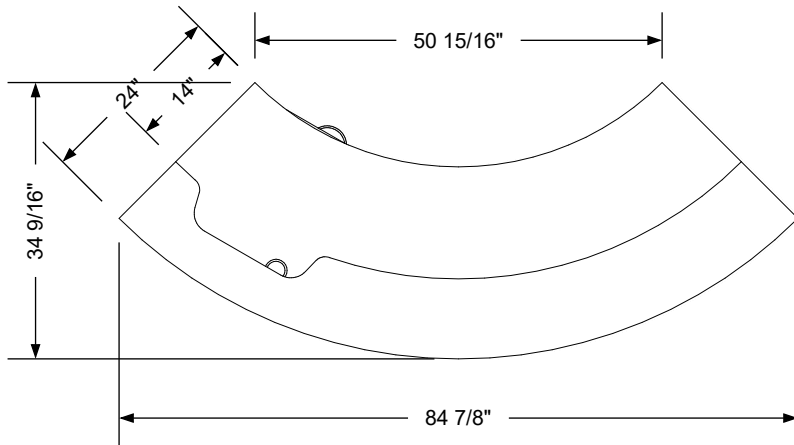
3 Years:

- Ball-Bearing Drawer Slides
- Cabinet hinges

1 Year:

- All remaining components, unless noted otherwise, are guaranteed for a period of one year from the date of purchase.






Additional Information

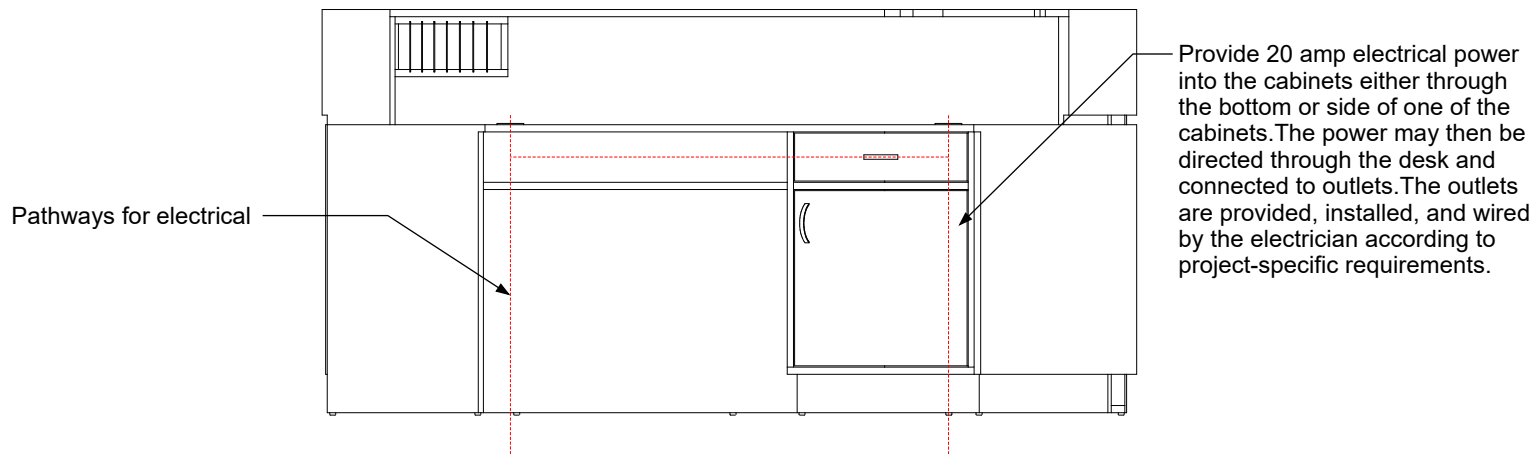
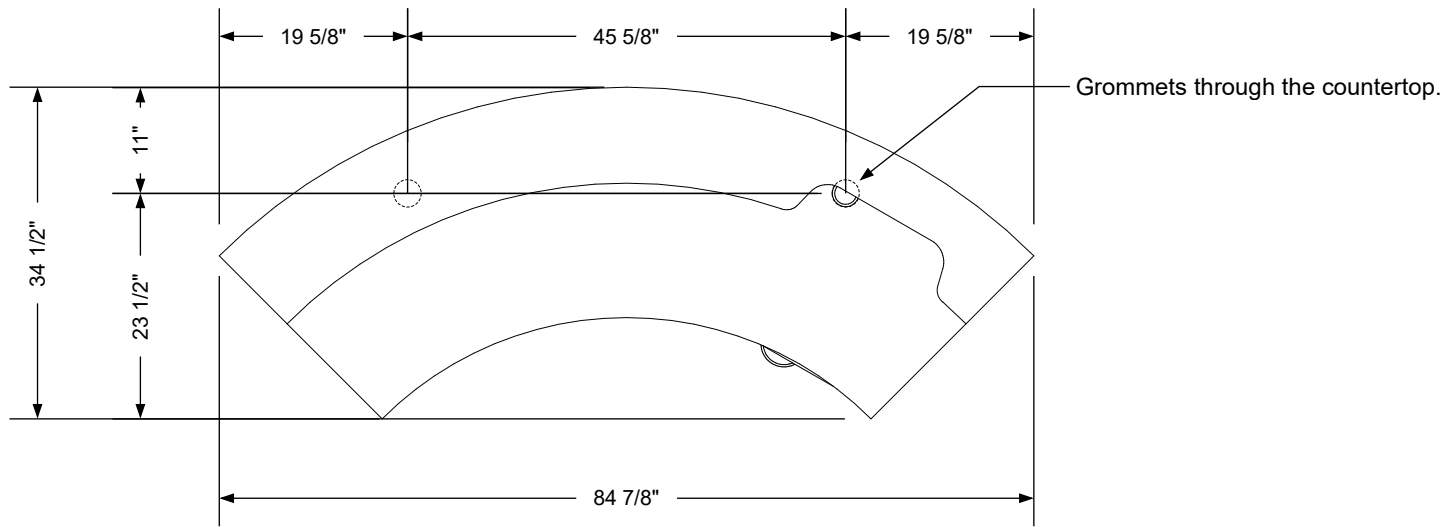
Assembly required - no
 Electrical required - yes
 Plumbing required - no
 Wall blocking required - no
 COM yardage/laminate usage - 110 sf
 4" h laminated plywood toe + 1/4" h glides
 Other (specify) - n/a
 Other (specify) - n/a

Specification Drawing

This **Specification Drawing** is intended for communicating the basic description, function, appearance, dimensions, features, and installation of an item as manufactured by Collins Manufacturing Company. Because this drawing does not contain project specific information such as quantities, finishes, or options, it is not an approval drawing and does not require a signature. This drawing remains the property of Collins Manufacturing Company and must not be used against the interests of Collins Manufacturing Company.

Product Information

		Collins Manufacturing 2000 Bowser Road Cookeville, TN 38506	
Name: Millennium Curved Desk			
Size: NTS	Part Number: 2034-85	Drawn By: Eng	
Prepared Date: 4/21/20	Revision Date: Date	Revision Number: Rev #	Sheet: 1 of 2



Electrical stub out detail

Additional Information

Assembly required - no
 Electrical required - yes
 Plumbing required - no
 Wall blocking required - no
 COM yardage/laminate usage - 110 sf
 4" h laminated plywood toe + 1/4" h glides
 Other (specify) - n/a
 Other (specify) - n/a

Specification Drawing

This **Specification Drawing** is intended for communicating the basic description, function, appearance, dimensions, features, and installation of an item as manufactured by Collins Manufacturing Company. Because this drawing does not contain project specific information such as quantities, finishes, or options, it is not an approval drawing and does not require a signature. This drawing remains the property of Collins Manufacturing Company and must not be used against the interests of Collins Manufacturing Company.

Product Information

		Collins Manufacturing 2000 Bowser Road Cookeville, TN 38506	
Name: Millennium Curved Desk			
Size: NTS	Part Number: 2034-85	Drawn By: Eng	
Prepared Date: 4/21/20	Revision Date: Date	Revision Number: Rev #	Sheet: 2 of 2