



## IMALE ASYMMETRICAL DESK

SKU:2034-48

Clean lines and sleek modern style are hallmarks of our beautiful Asymmetrical Reception Desk. This design will beautifully complement your salon or spa decor, while also providing a private enclosure for your workstation. With an adjustable sliding keyboard shelf and wire management grommets to keep cords organized, this desk is perfect for any workspace.

### TECHNICAL INFORMATION

---

- 48"W x 24"D x 42"H
- Asymmetrical look
- Keyboard shelf
- Grommets
- Cabinet with drawer and storage below

### SHIPPING INFORMATION

---

Item generally ships via Freight(Truck) service

- Weight: 290 lbs
- Dimensions: 54"L x 32"W x 52"H

### WARRANTY

---

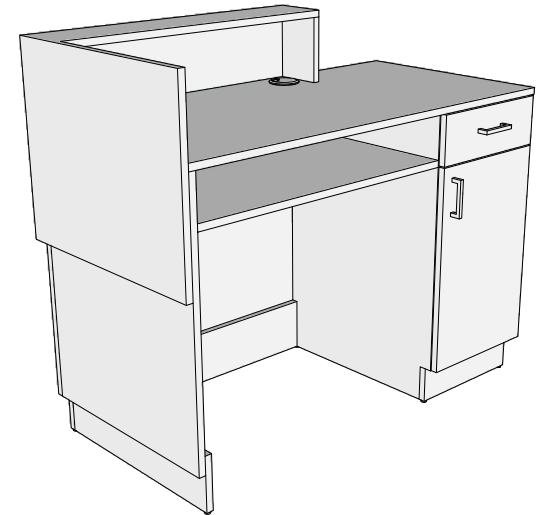
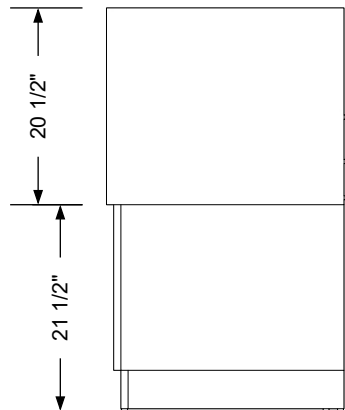
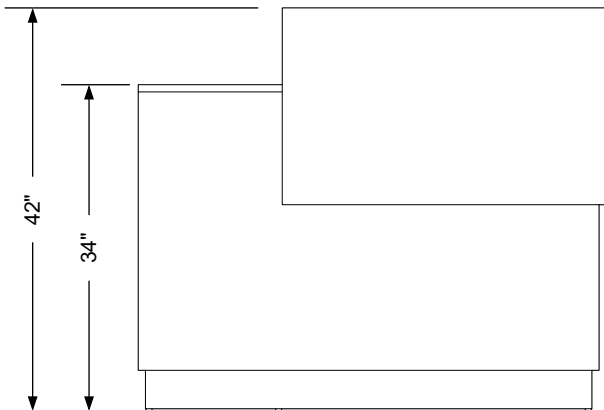
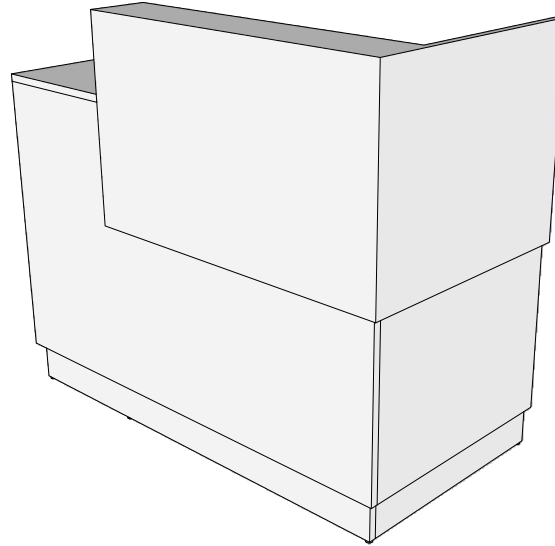
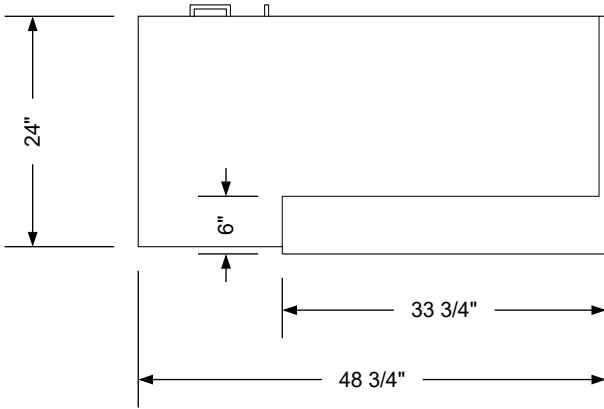
#### 3 Years:

- Ball-Bearing Drawer Slides
- Cabinet hinges

#### 1 Year:

- All remaining components, unless noted otherwise, are guaranteed for a period of one year from the date of purchase.





**Additional Information**

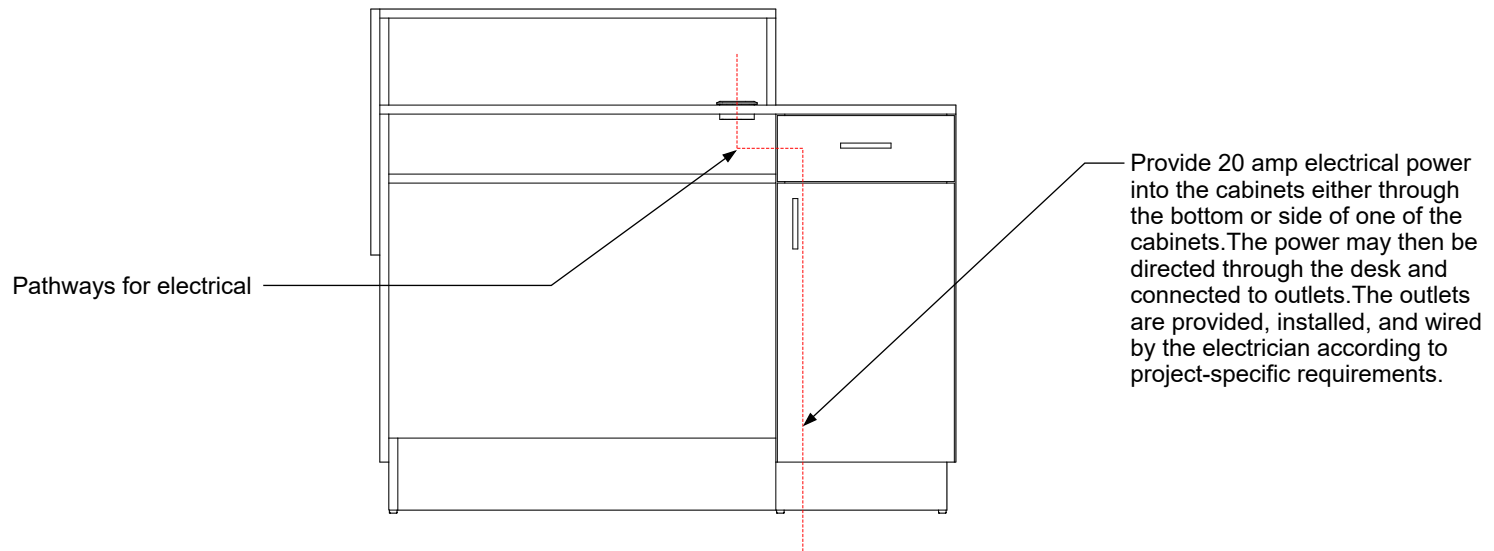
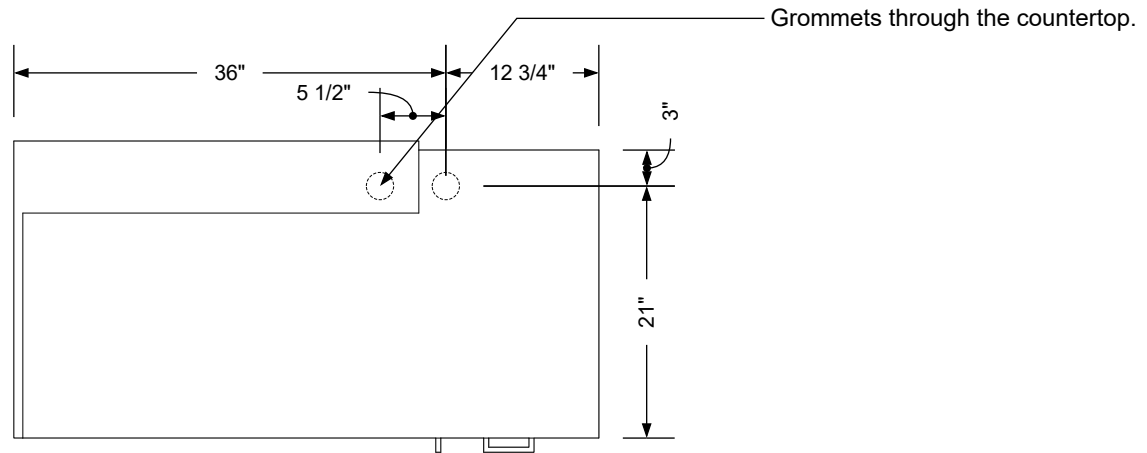
Assembly required - no  
 Electrical required -yes  
 Plumbing required - no  
 Wall blocking required - no  
 COM yardage/laminate usage - 64 sf  
 4" h laminated plywood toe + 1/4" h glides  
 Other (specify) - n/a  
 Other (specify) - n/a

**Specification Drawing**

This **Specification Drawing** is intended for communicating the basic description, function, appearance, dimensions, features, and installation of an item as manufactured by Collins Manufacturing Company. Because this drawing does not contain project specific information such as quantities, finishes, or options, it is not an approval drawing and does not require a signature. This drawing remains the property of Collins Manufacturing Company and must not be used against the interests of Collins Manufacturing Company.

**Product Information**

<b>collins</b>		Collins Manufacturing 2000 Bowser Road Cookeville, TN 38506	
Name: <b>iMale Asymmetrical Desk</b>			
Size: <b>NTS</b>	Part Number: <b>2034-48</b>	Drawn By: <b>Eng</b>	
Prepared Date: <b>4/28/20</b>	Revision Date: <b>Date</b>	Revision Number: <b>Rev #</b>	Sheet: <b>1 of 2</b>



**Electrical stub out detail**

**Additional Information**

Assembly required - no  
 Electrical required -yes  
 Plumbing required - no  
 Wall blocking required - no  
 COM yardage/laminate usage - 64 sf  
 4"h laminated plywood toe + 1/4"h glides  
 Other (specify) - n/a  
 Other (specify) - n/a

**Specification Drawing**

This **Specification Drawing** is intended for communicating the basic description, function, appearance, dimensions, features, and installation of an item as manufactured by Collins Manufacturing Company. Because this drawing does not contain project specific information such as quantities, finishes, or options, it is not an approval drawing and does not require a signature. This drawing remains the property of Collins Manufacturing Company and must not be used against the interests of Collins Manufacturing Company.

**Product Information**

		Collins Manufacturing 2000 Bowser Road Cookeville, TN 38506	
Name: iMale Asymmetrical Desk			
Size: NTS	Part Number: 2034-48	Drawn By: Eng	
Prepared Date: 4/28/20	Revision Date: Date	Revision Number: Rev #	Sheet: 2 of 2