



## PACIFIC STATION

SKU:2106-48



Designed to be a useful space-saving unit, our styling station doubles as a workstation for students. The stainless steel countertop and self-assist fold up mirrors allow students to work on their hair technique in confidence, while the lockable storage cabinet provides a safe place to store personal items during school sessions.

### TECHNICAL INFORMATION

---

- 48"W x 32"D x 36.75"H
- Stainless steel counter top
- Wood cabinet base
- Self-assist fold-up mirrors on both sides
- 20-amp power strips
- Two lockable storage cabinets per stylist

### SHIPPING INFORMATION

---

Item generally ships via Freight(Truck) service

- Weight: 425 lbs
- Dimensions: 60"L x 36"W x 48"H

### WARRANTY

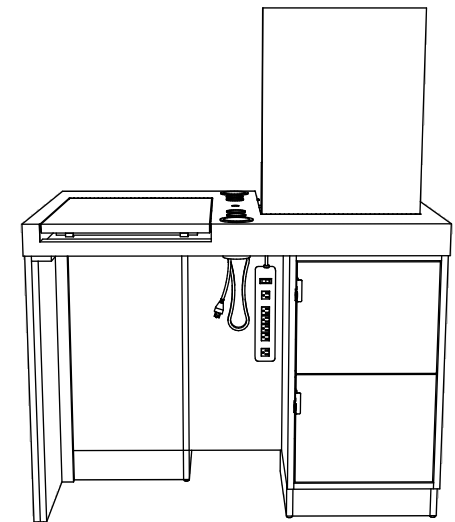
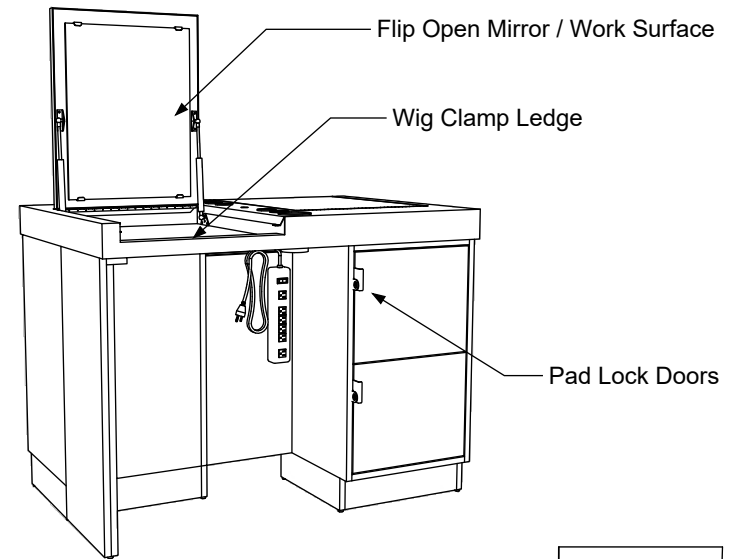
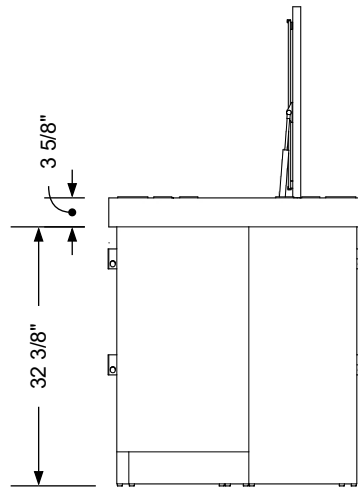
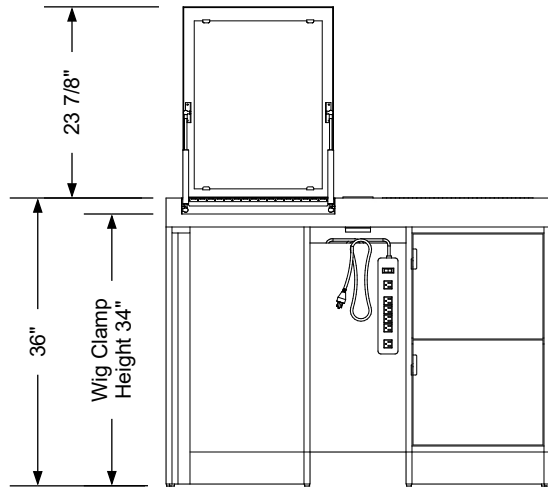
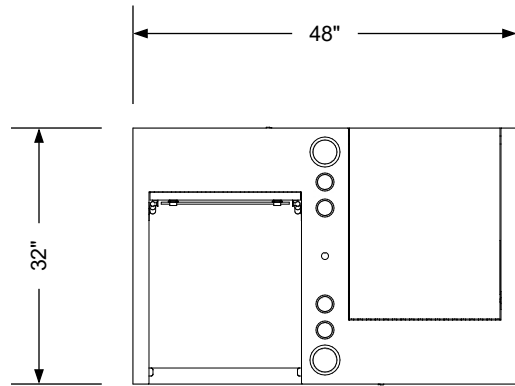
---

#### 3 Years:

- Ball-Bearing Drawer Slides
- Cabinet hinges

#### 1 Year:

- All remaining components, unless noted otherwise, are guaranteed for a period of one year from the date of purchase.




**Additional Information**

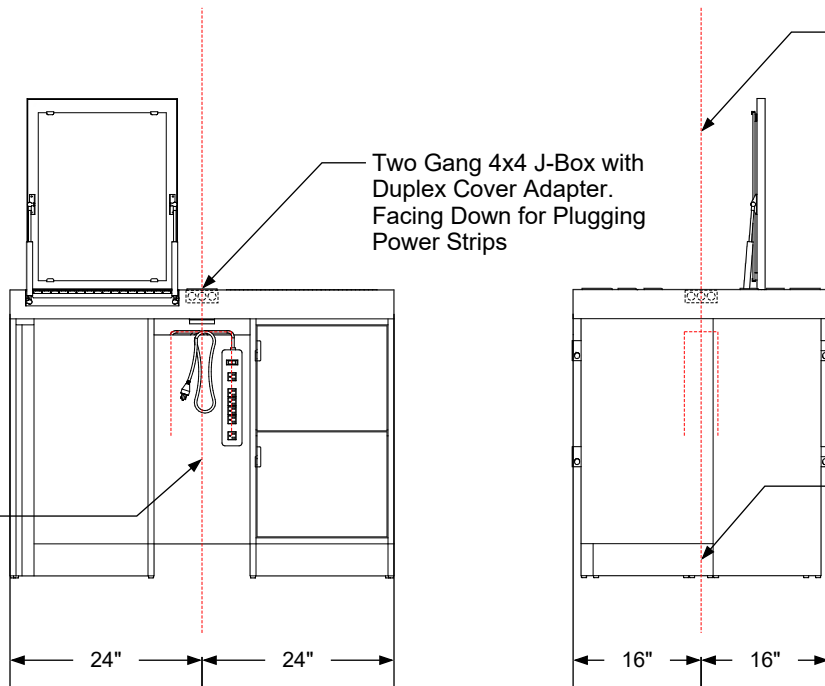
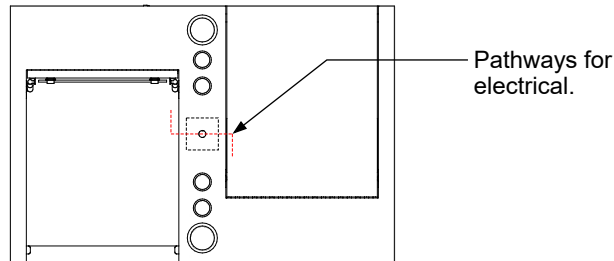
Assembly required - yes  
 Electrical required - yes  
 Plumbing required - no  
 Wall blocking required - no  
 COM yardage/laminate usage - 57 sf  
 4" h laminated plywood toe + 1/4" h glides  
 Other (specify) - n/a  
 Other (specify) - n/a

**Specification Drawing**

This **Specification Drawing** is intended for communicating the basic description, function, appearance, dimensions, features, and installation of an item as manufactured by Collins Manufacturing Company. Because this drawing does not contain project specific information such as quantities, finishes, or options, it is not an approval drawing and does not require a signature. This drawing remains the property of Collins Manufacturing Company and must not be used against the interests of Collins Manufacturing Company.

**Product Information**

		Collins Manufacturing 2000 Bowser Road Cookeville, TN 38506	
		Name: Pacific Station	
Size: <b>NTS</b>	Part Number: <b>2106-48</b>	Drawn By: <b>Eng</b>	
Prepared Date: <b>6/22/20</b>	Revision Date: <b>Date</b>	Revision Number: <b>Rev #</b>	Sheet: <b>1 of 2</b>



When Power is required from the ceiling, Electrician is responsible to wire and Punch Open the Designated Two Gang 4x4 Junction Box and Provide a Duplex Outlet for The Power Strip on the indicated path.

**\* Unit is sold with two 15 Amp 6 Plex Powder Strip.**

The electrician is responsible for power to the Provided Power Strips.

Pathways for electrical When Plugging Power Strips to the Floor

Pathways for electrical When Plugging Power Strips to the Floor

**Electrical stub out detail**

**Additional Information**

Assembly required - yes  
 Electrical required - yes  
 Plumbing required - no  
 Wall blocking required - no  
 COM yardage/laminate usage - 57 sf  
 4"h laminated plywood toe + 1/4"h glides  
 Other (specify) - n/a  
 Other (specify) - n/a

**Specification Drawing**

This **Specification Drawing** is intended for communicating the basic description, function, appearance, dimensions, features, and installation of an item as manufactured by Collins Manufacturing Company. Because this drawing does not contain project specific information such as quantities, finishes, or options, it is not an approval drawing and does not require a signature. This drawing remains the property of Collins Manufacturing Company and must not be used against the interests of Collins Manufacturing Company.

**Product Information**

		Collins Manufacturing 2000 Bowser Road Cookeville, TN 38506	
Name: Pacific Station			
Size: NTS	Part Number: 2106-48	Drawn By: Eng	
Prepared Date: 6/22/20	Revision Date: Date	Revision Number: Rev #	Sheet: 2 of 2