



LEHIGH SINGLE

SKU:2160-48

Create an inspiring work space for your students with this Lehigh Single Styling Station. Made for one student, this design will give them all the space and tools they need to become a professional stylist.

TECHNICAL INFORMATION

- 48"W x 22"D x 87"H
- Tool holders
- Mannequin head clamp strip
- Mannequin head storage cubby
- Fourplex outlet
- Student kit storage
- Mirror

SHIPPING INFORMATION

Item generally ships via Freight(Truck) service

- Weight: 280 lbs
- Dimensions: 2 pallets

WARRANTY

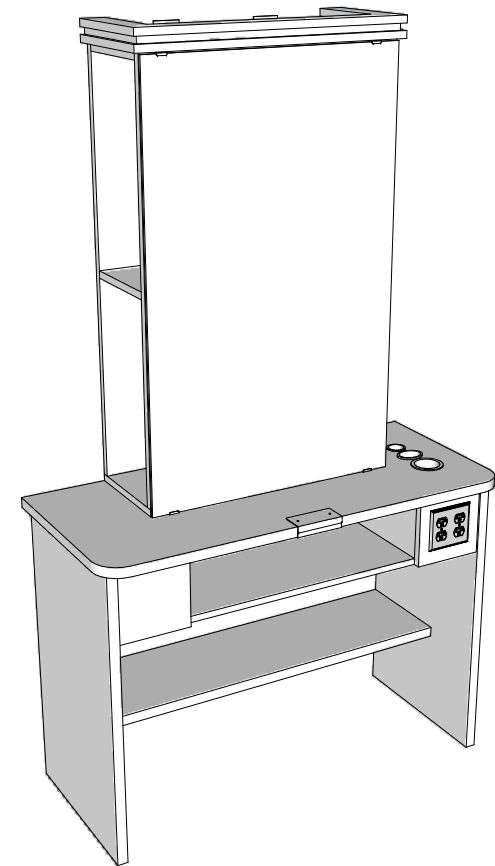
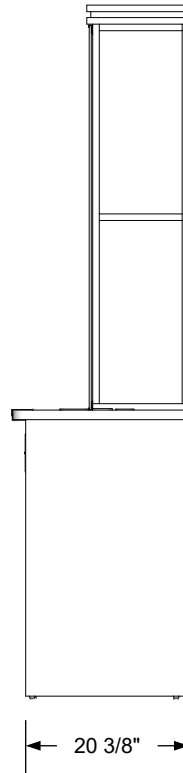
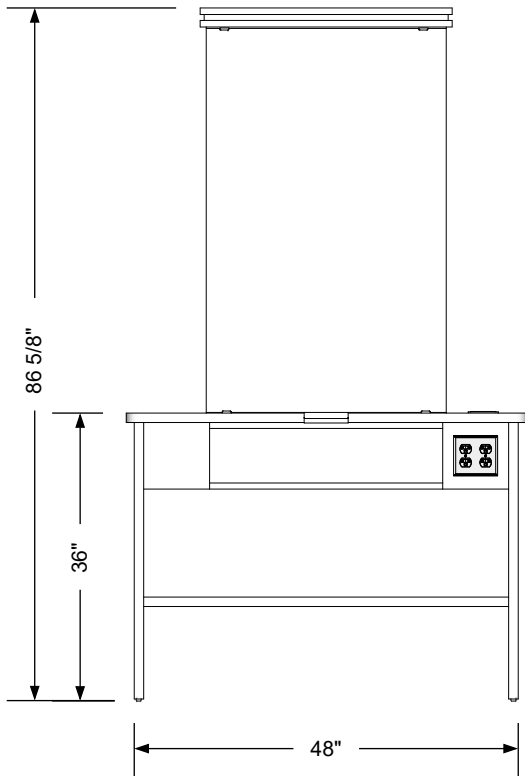
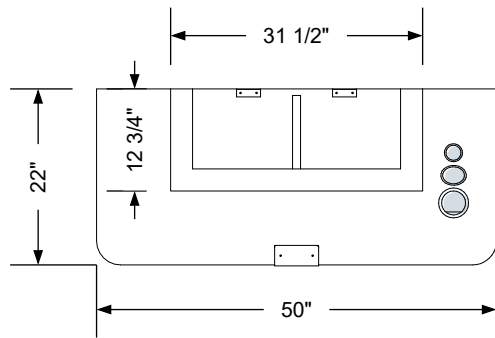
3 Years:

- Ball-Bearing Drawer Slides
- Cabinet hinges

1 Year:

- All remaining components, unless noted otherwise, are guaranteed for a period of one year from the date of purchase.





Additional Information

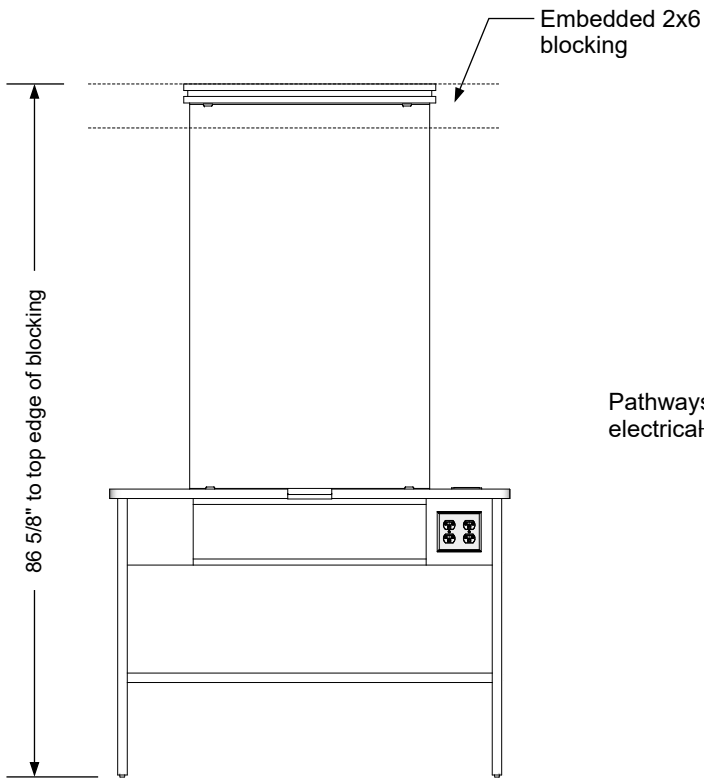
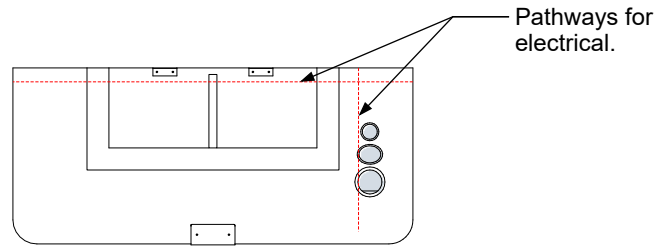
Assembly required - yes
 Electrical required - yes
 Plumbing required - no
 Wall blocking required - yes
 COM yardage/laminate usage - 86 sf
 Laminated support legs + 1/4" h glides
 Other (specify) - n/a
 Other (specify) - n/a

Specification Drawing

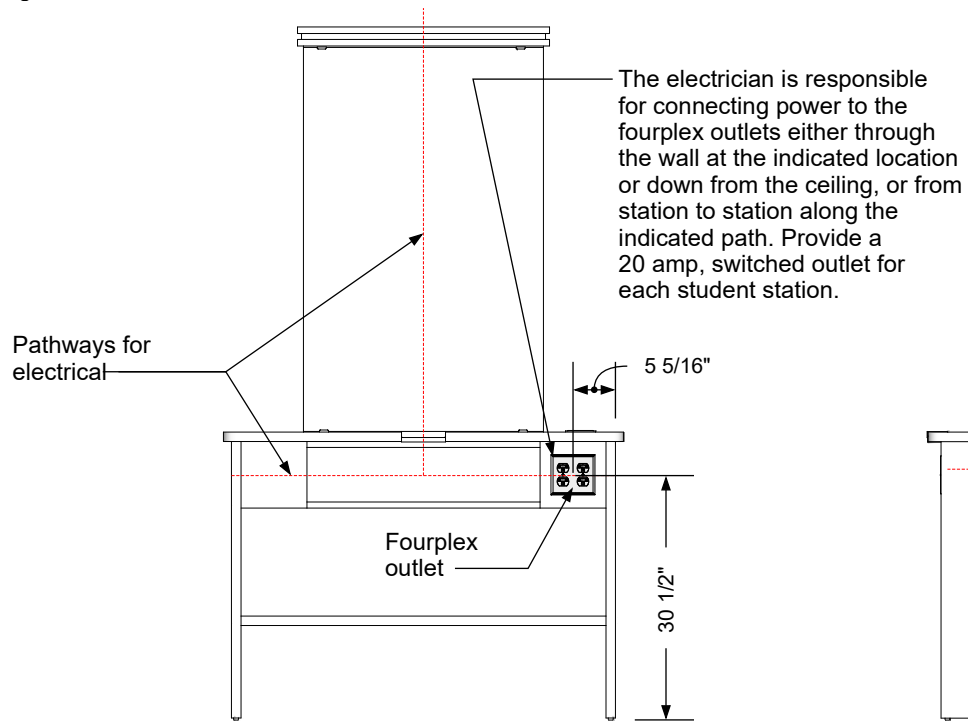
This **Specification Drawing** is intended for communicating the basic description, function, appearance, dimensions, features, and installation of an item as manufactured by Collins Manufacturing Company. Because this drawing does not contain project specific information such as quantities, finishes, or options, it is not an approval drawing and does not require a signature. This drawing remains the property of Collins Manufacturing Company and must not be used against the interests of Collins Manufacturing Company.

Product Information

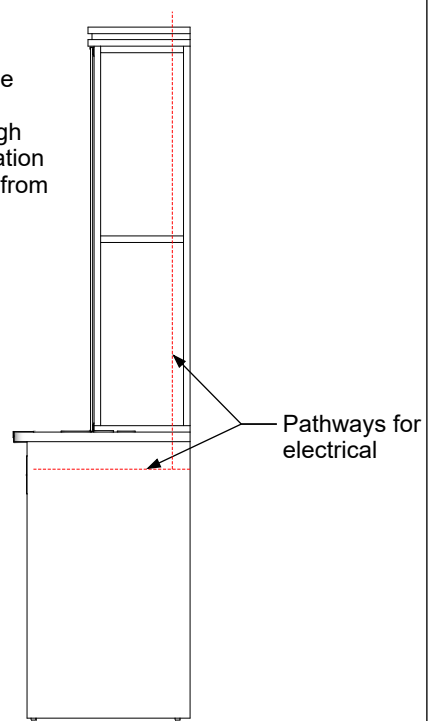
		Collins Manufacturing 2000 Bowser Road Cookeville, TN 38506	
Name: Lehigh Single			
Size: NTS	Part Number: 2160-48	Drawn By: Eng	
Prepared Date: 5/4/20	Revision Date: Date	Revision Number: Rev #	Sheet: 1 of 2



Wall blocking detail



Electrical stub out detail



Additional Information

Assembly required - yes
 Electrical required - yes
 Plumbing required - no
 Wall blocking required - yes
 COM yardage/laminate usage - 86 sf
 Laminated support legs + 1/4" h glides
 Other (specify) - n/a
 Other (specify) - n/a

Specification Drawing

This **Specification Drawing** is intended for communicating the basic description, function, appearance, dimensions, features, and installation of an item as manufactured by Collins Manufacturing Company. Because this drawing does not contain project specific information such as quantities, finishes, or options, it is not an approval drawing and does not require a signature. This drawing remains the property of Collins Manufacturing Company and must not be used against the interests of Collins Manufacturing Company.

Product Information

		Collins Manufacturing 2000 Bowser Road Cookeville, TN 38506	
		Name: Lehigh Single	
Size: NTS	Part Number: 2160-48	Drawn By: Eng	
Prepared Date: 5/4/20	Revision Date: Date	Revision Number: Rev #	Sheet: 2 of 2