



EUROPEAN BACKWASH- EDU

SKU:2204-32

Elegant and timeless, our European Backwash unit features clean lines and soft curves. The #3000 marble shampoo bowl and bottle well combined with the overall look, make this unit both a beautiful and functional piece to add to your salon.

TECHNICAL INFORMATION

- 32"W x 18"D x 34"H
- Classic model featuring fixed mount porcelain shampoo bowl
- Bottle well
- Rear storage
- Water-shed radius front
- Multiple units can be assembled in a row with continuous supply and drain lines

SHIPPING INFORMATION

Item generally ships via Freight(Truck) service

- Weight: 160 lbs
- Dimensions: 54"L x 32"W x 42"H

WARRANTY

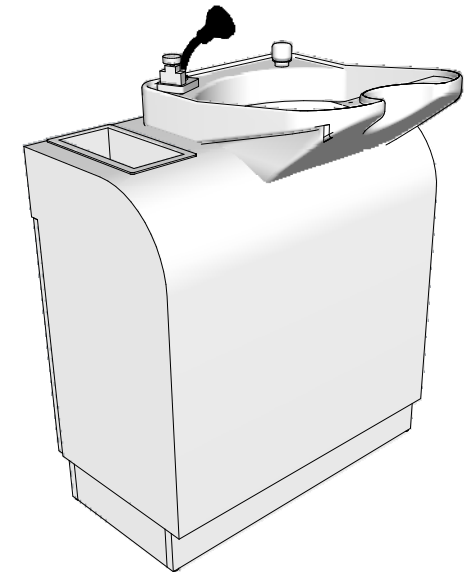
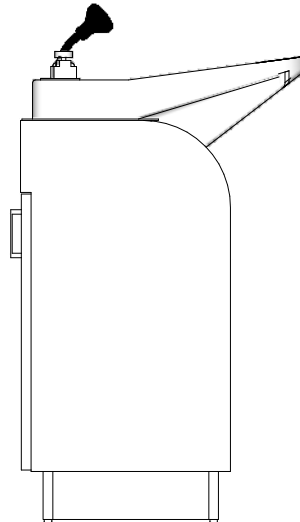
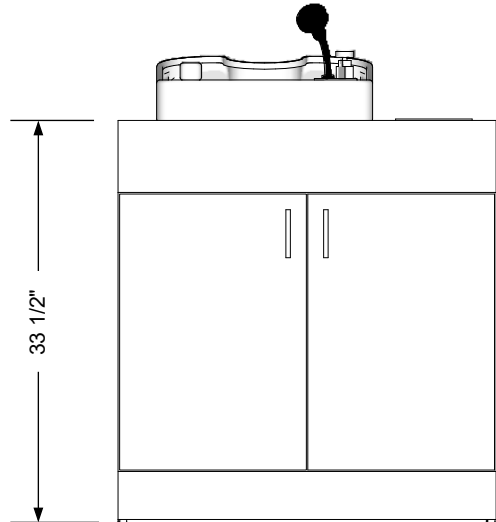
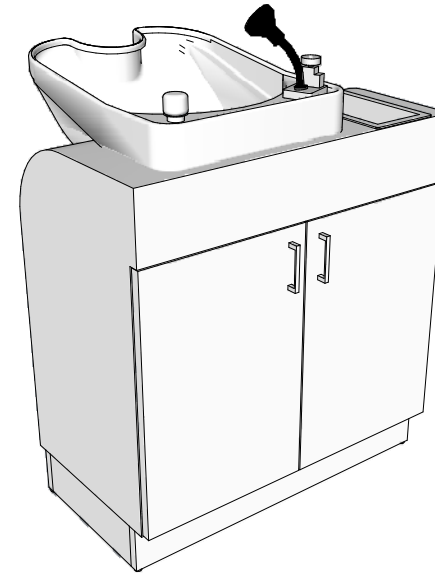
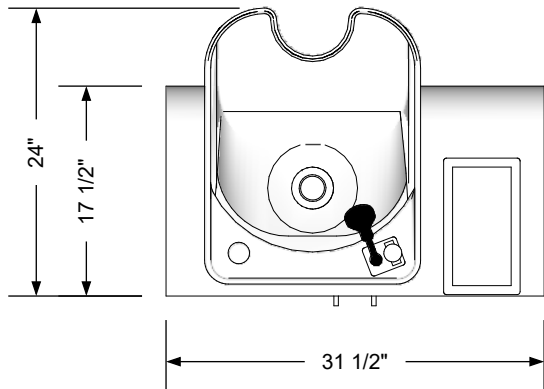
3 Years:

- Ball-Bearing Drawer Slides
- Cabinet hinges

1 Year:

- All remaining components, unless noted otherwise, are guaranteed for a period of one year from the date of purchase.






Additional Information

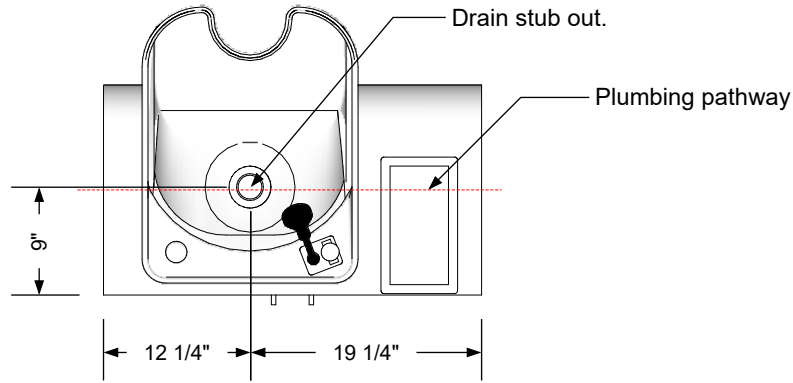
Assembly required - yes
 Electrical required - no
 Plumbing required - yes
 Wall blocking required - no
 COM yardage/laminate usage - 42 sf
 4"h laminated plywood toe + 1/4"h glides
 Other (specify) - n/a
 Other (specify) - n/a

Specification Drawing

This **Specification Drawing** is intended for communicating the basic description, function, appearance, dimensions, features, and installation of an item as manufactured by Collins Manufacturing Company. Because this drawing does not contain project specific information such as quantities, finishes, or options, it is not an approval drawing and does not require a signature. This drawing remains the property of Collins Manufacturing Company and must not be used against the interests of Collins Manufacturing Company.

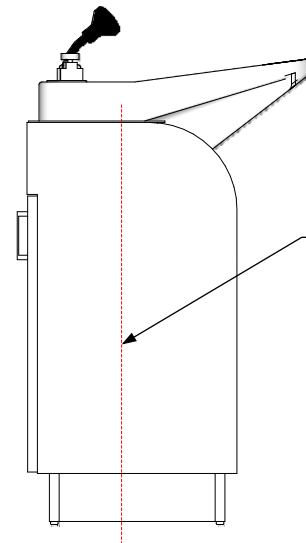
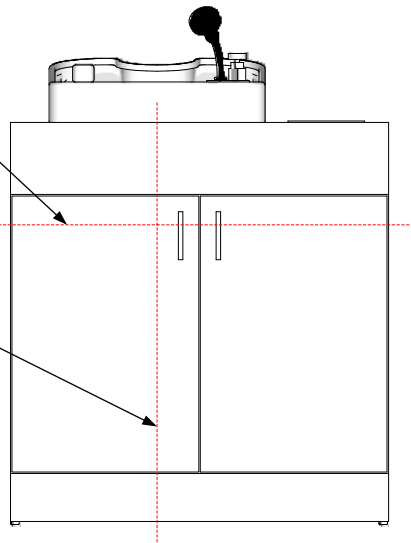
Product Information

		Collins Manufacturing 2000 Bowser Road Cookeville, TN 38506	
Name: European Backwash			
Size: NTS	Part Number: 2204-32	Drawn By: Eng	
Prepared Date: 5/19/20	Revision Date: Date	Revision Number: Rev #	Sheet: 1 of 2



Multiple units may be plumbed through the ends and connected through units to either side.

Single units may be plumbed from the floor.



Plumbing pathway

Plumbing stub out detail


Additional Information

Assembly required - yes
 Electrical required - no
 Plumbing required - yes
 Wall blocking required - no
 COM yardage/laminate usage - 42 sf
 4" h laminated plywood toe + 1/4" h glides
 Other (specify) - n/a
 Other (specify) - n/a

Specification Drawing

This **Specification Drawing** is intended for communicating the basic description, function, appearance, dimensions, features, and installation of an item as manufactured by Collins Manufacturing Company. Because this drawing does not contain project specific information such as quantities, finishes, or options, it is not an approval drawing and does not require a signature. This drawing remains the property of Collins Manufacturing Company and must not be used against the interests of Collins Manufacturing Company.

Product Information

		Collins Manufacturing 2000 Bowser Road Cookeville, TN 38506	
Name: European Backwash			
Size: NTS	Part Number: 2204-32	Drawn By: Eng	
Prepared Date: 5/19/20	Revision Date: Date	Revision Number: Rev #	Sheet: 2 of 2