



DUCTED TABLE FOR TWO

SKU:2265-78

Enhance your salon with our Vented Table for Two, complete with center storage. This innovative manicure table is perfect for tasks that require ventilation, connecting directly to your external duct and fan system. Improve your salon's airflow and comply with regulations in style.

TECHNICAL INFORMATION

- 78"W x 20"D x 32"H
- Featuring built-in plenum to hook to wall mounted ventilation system (not included)
- Three drawers
- Two stainless vent cover
- Two slim line LED light
- Two padded rests, not pictured

SHIPPING INFORMATION

Item generally ships via Freight(Truck) service

- Weight: 230 lbs
- Dimensions: 84"L x 32"W x 40"H

WARRANTY

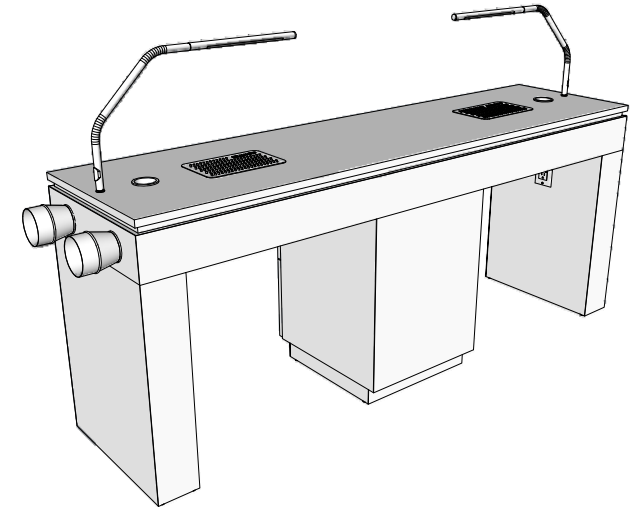
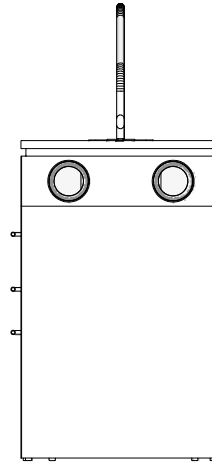
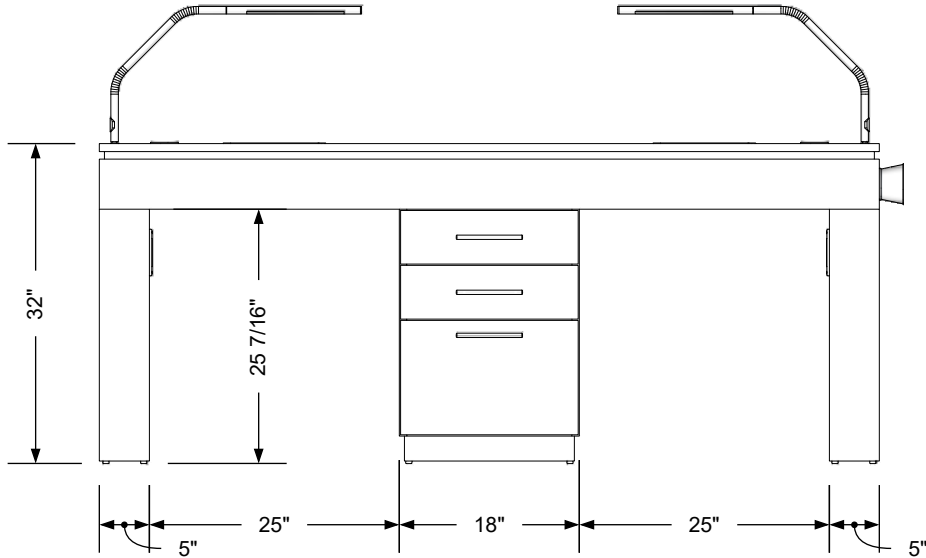
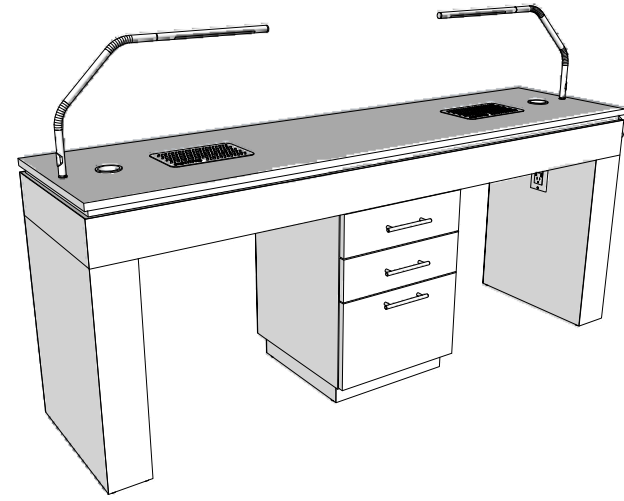
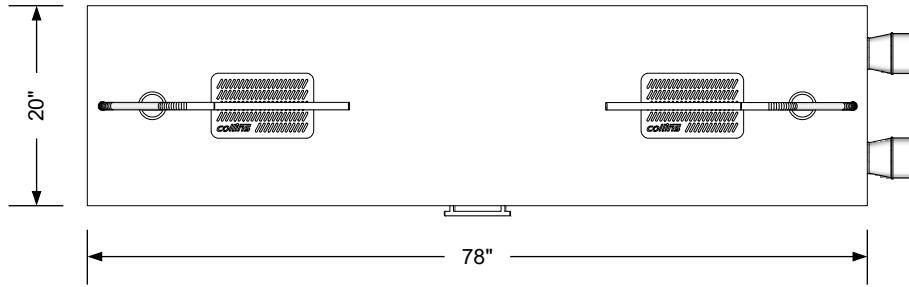
3 Years:

- Ball-Bearing Drawer Slides
- Cabinet hinges

1 Year:

- All remaining components, unless noted otherwise, are guaranteed for a period of one year from the date of purchase.






Additional Information

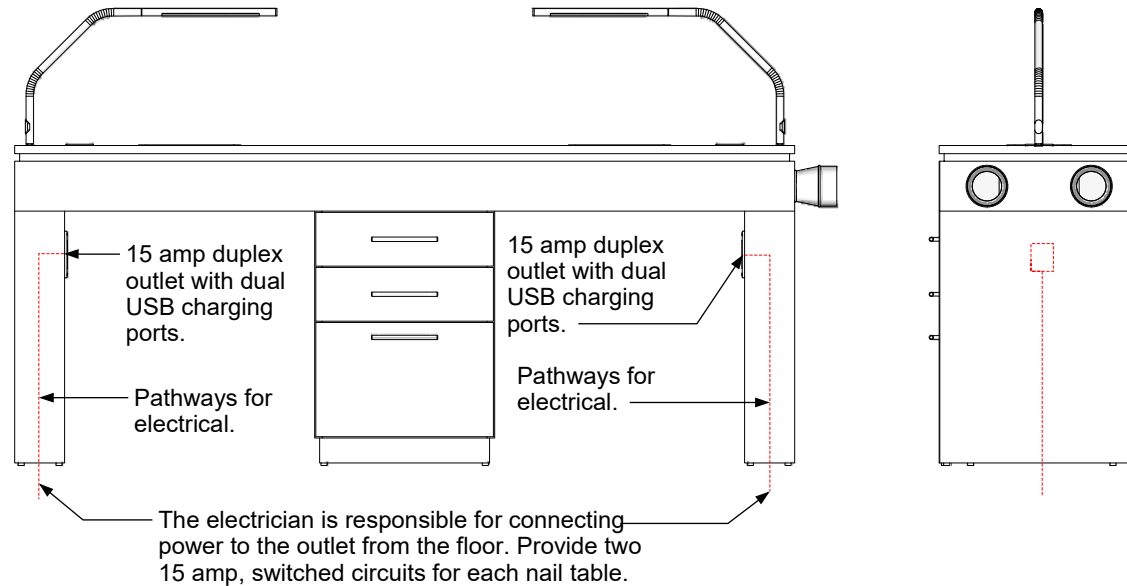
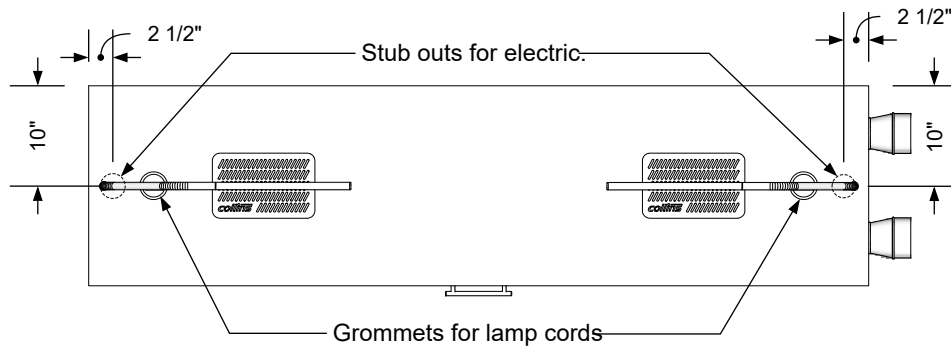
Assembly required - yes
 Electrical required - yes
 Plumbing required - no
 Wall blocking required - no
 COM yardage/laminate usage - 86 sf
 2 1/2" h laminated plywood toe + 1/4" h glides
 Ventilation required - yes
 Other (specify) - n/a

Specification Drawing

This **Specification Drawing** is intended for communicating the basic description, function, appearance, dimensions, features, and installation of an item as manufactured by Collins Manufacturing Company. Because this drawing does not contain project specific information such as quantities, finishes, or options, it is not an approval drawing and does not require a signature. This drawing remains the property of Collins Manufacturing Company and must not be used against the interests of Collins Manufacturing Company.

Product Information

		Collins Manufacturing	
		2000 Bowser Road Cookeville, TN 38506	
Name: Ducted Manicure Table For Two			
Size: NTS	Part Number: 2265-78	Drawn By: Eng	
Prepared Date: 5/20/20	Revision Date: 7/20/20	Revision Number: Rev #1	Sheet: 1 of 3



Electrical stub out detail


Additional Information

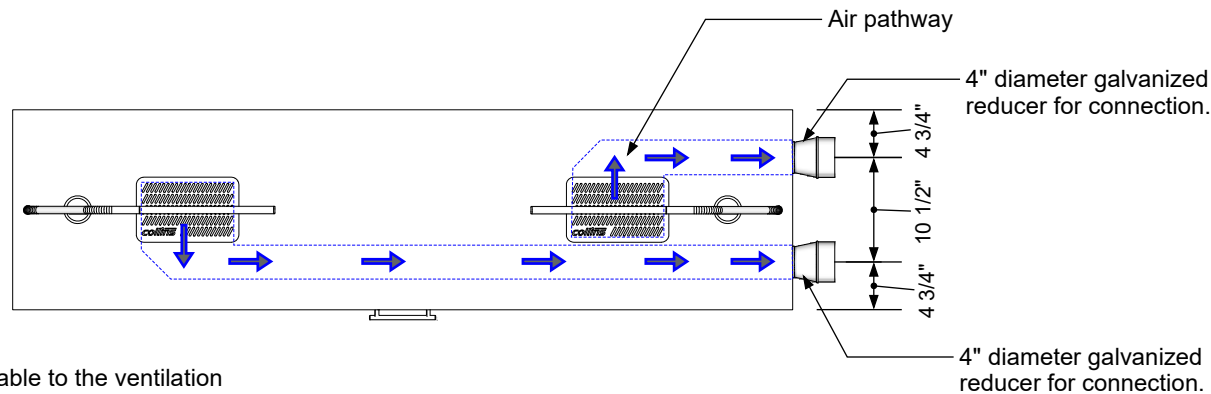
Assembly required - yes
 Electrical required - yes
 Plumbing required - no
 Wall blocking required - no
 COM yardage/laminate usage - 86 sf
 2 1/2" h laminated plywood toe + 1/4" h glides
 Ventilation required - yes
 Other (specify) - n/a

Specification Drawing

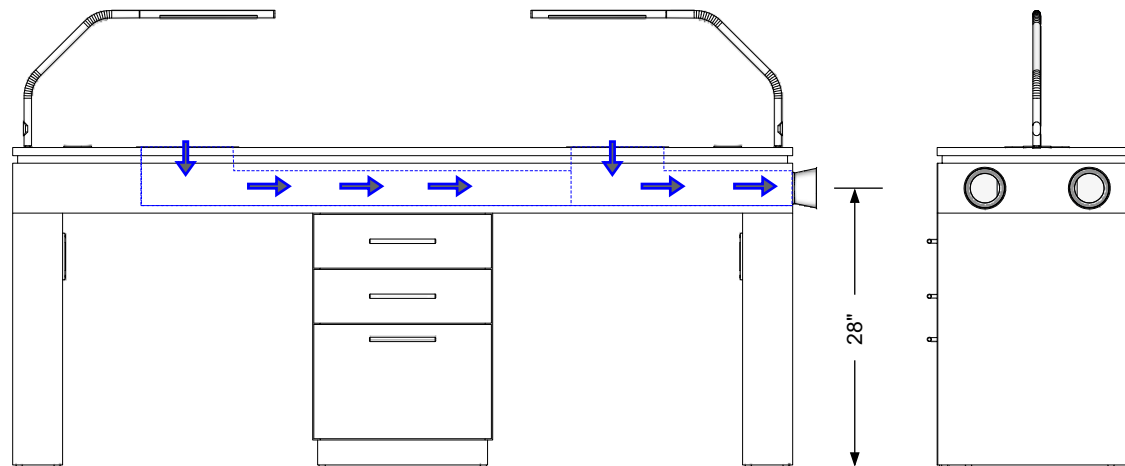
This **Specification Drawing** is intended for communicating the basic description, function, appearance, dimensions, features, and installation of an item as manufactured by Collins Manufacturing Company. Because this drawing does not contain project specific information such as quantities, finishes, or options, it is not an approval drawing and does not require a signature. This drawing remains the property of Collins Manufacturing Company and must not be used against the interests of Collins Manufacturing Company.

Product Information

		Collins Manufacturing 2000 Bowser Road Cookeville, TN 38506	
		Name: Ducted Manicure Table For Two	
Size:	Part Number:	Drawn By:	
NTS	2265-78	Eng	
Prepared Date:	Revision Date:	Revision Number:	Sheet:
5/20/20	7/20/20	Rev #1	2 of 3



All connections from the nail table to the ventilation system to be provided and installed by others. All air movement calculations and air handling systems to be provided by HVAC contractor.



Ventilation detail


Additional Information

Assembly required - yes
 Electrical required - yes
 Plumbing required - no
 Wall blocking required - no
 COM yardage/laminate usage - 86 sf
 2 1/2"h laminated plywood toe + 1/4"h glides
 Ventilation required - yes
 Other (specify) - n/a

Specification Drawing

This **Specification Drawing** is intended for communicating the basic description, function, appearance, dimensions, features, and installation of an item as manufactured by Collins Manufacturing Company. Because this drawing does not contain project specific information such as quantities, finishes, or options, it is not an approval drawing and does not require a signature. This drawing remains the property of Collins Manufacturing Company and must not be used against the interests of Collins Manufacturing Company.

Product Information

		Collins Manufacturing	
		2000 Bowser Road Cookeville, TN 38506	
Name: Ducted Manicure Table For Two			
Size: NTS	Part Number: 2265-78	Drawn By: Eng	
Prepared Date: 5/20/20	Revision Date: 7/20/20	Revision Number: Rev #1	Sheet: 3 of 3