



KELSEY WITH SOAKING BASIN

SKU:4438SEDU



The Kelsey Pedicure Unit boasts a spacious soaking basin and convenient side storage. With its sleek and modern design, this built-in luxury unit offers easy access to storage cabinets and ample space for all your supplies. The ladder-style stitched pattern and extra padding add a touch of detail, while the step-up feature allows for simple entry and exit for your clients. Enjoy a truly authentic footbath experience thanks to the large basin that eliminates any concerns about pipes or jets.

TECHNICAL INFORMATION

- 48"W x 52"D x 43"H
- Large stainless steel soaking basin
- Fixtures w/ spray hose
- Drain assembly w/ control
- 10" step w/ safety tread
- Utility drawer
- Storage cabinet
- Throne style client bench

SHIPPING INFORMATION

Item generally ships via Freight(Truck) service

- Weight: 370 lbs
- Dimensions: 2 pallets

WARRANTY

7.5 Years:

- Models 3500, 4500, 5550 Foot Operated Hydraulic Pumps

5 years:

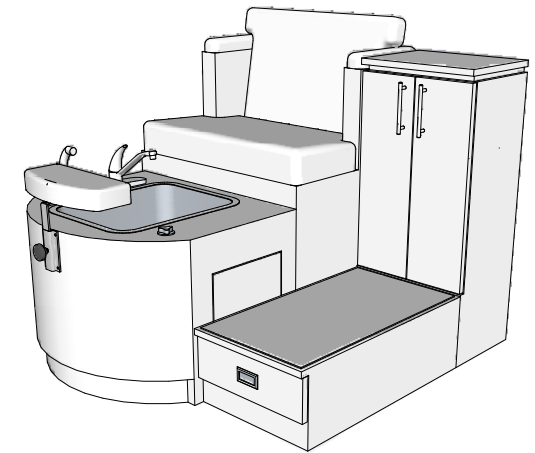
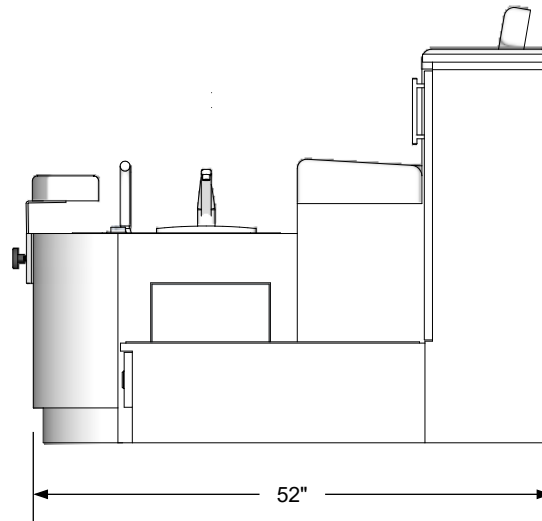
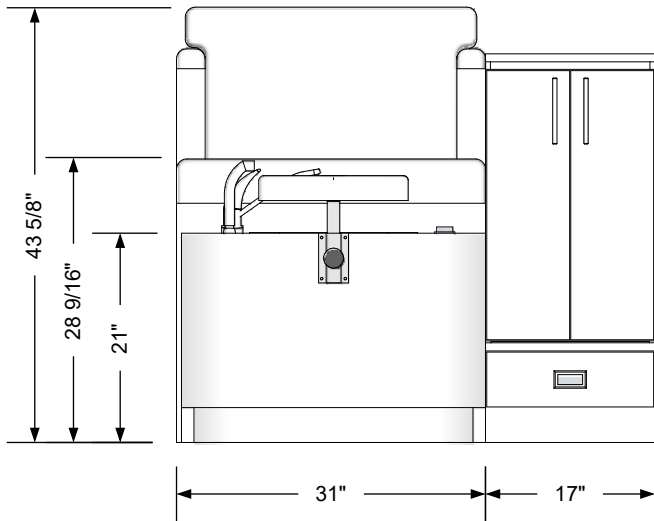
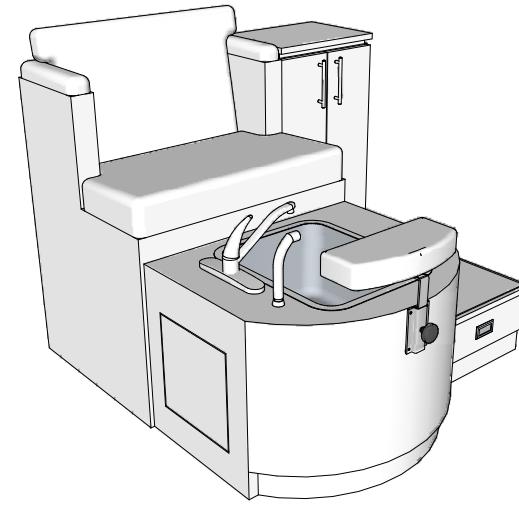
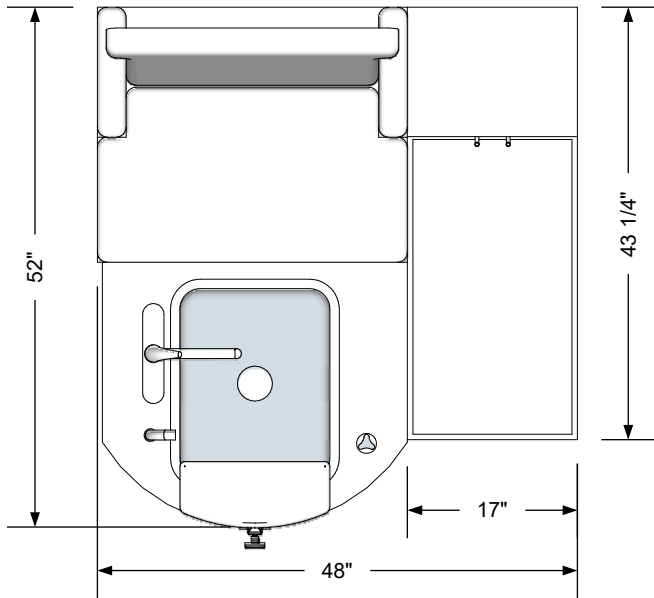
- Collins Comfort Zone anti-fatigue mats
- All purpose and shampoo chair back reclining mechanisms

3 Years:

- BKB Electric Base
- Molded urethane arms
- Upholstery
- Ball-Bearing Drawer Slides
- Cabinet hinges

1 year:

- All remaining components, unless otherwise noted



Additional Information

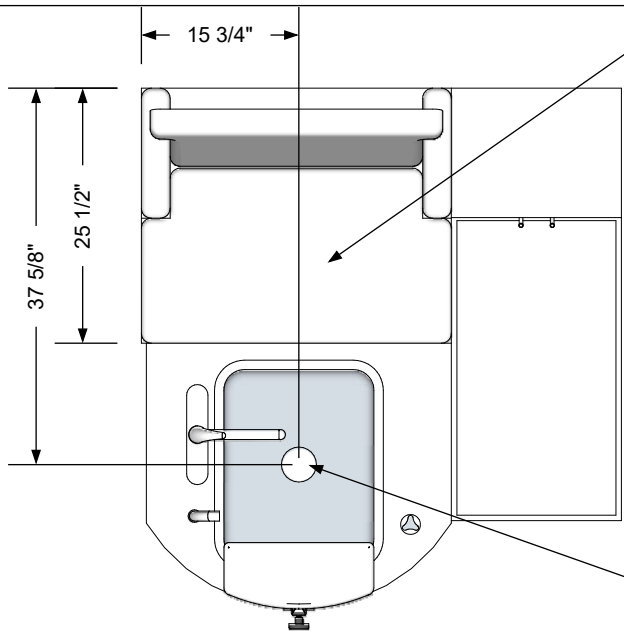
Assembly required - yes
 Electrical required - no
 Plumbing required - yes
 Wall blocking required - no
 COM yardage/laminate usage - 2.5 yds/72 sq ft
 4" h laminated plywood toe + 1/4" h glides
 Other (specify) - n/a
 Other (specify) - n/a

Specification Drawing

This **Specification Drawing** is intended for communicating the basic description, function, appearance, dimensions, features, and installation of an item as manufactured by Collins Manufacturing Company. Because this drawing does not contain project specific information such as quantities, finishes, or options, it is not an approval drawing and does not require a signature. This drawing remains the property of Collins Manufacturing Company and must not be used against the interests of Collins Manufacturing Company.

Product Information

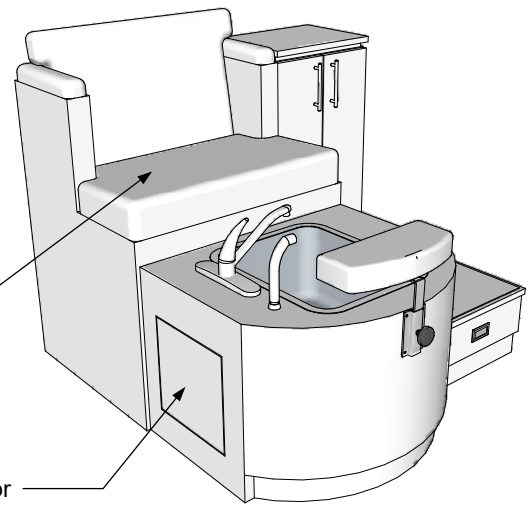
collins		Collins Manufacturing 2000 Bowser Road Cookeville, TN 38506	
Name: Kelsey Pedicure with Soaking Basin			
Size: NTS	Part Number: 4438SEDU	Drawn By: Eng	
Prepared Date: 5/26/20	Revision Date: Date	Revision Number: Rev #	Sheet: 1 of 2



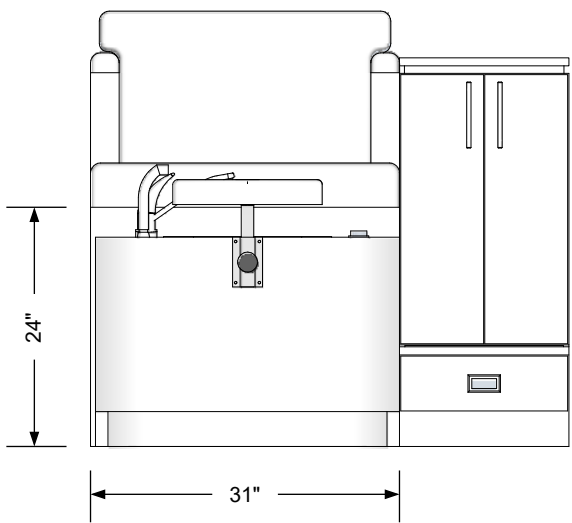
Water supply connections and drain connections can easily be made as long as the stub outs fall within the footprint or back profile of the seat support box. The plumber is responsible for providing the appropriate components and supply lines.

Seat cushion may be removed for access to water supply and drain connections.

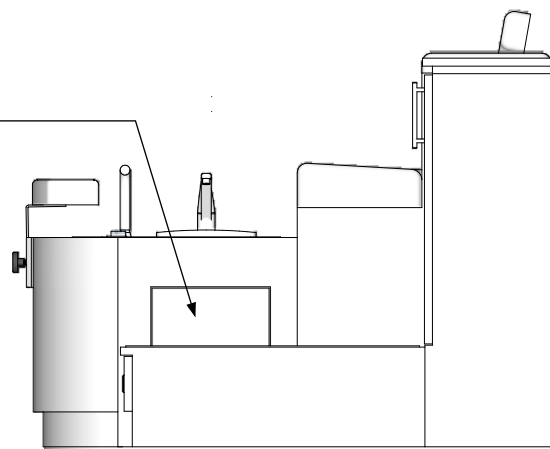
Note: when the cable-operated drain is installed, there is approximately 5 1/2" below it to connect a trap



Access Door



Access Door (Must remove step first).



Plumbing stub out detail

Additional Information

Assembly required - yes
 Electrical required - no
 Plumbing required - yes
 Wall blocking required - no
 COM yardage/laminate usage - 2.5 yds/72 sf
 4" h laminated plywood toe + 1/4" h glides
 Other (specify) - n/a
 Other (specify) - n/a

Specification Drawing

This **Specification Drawing** is intended for communicating the basic description, function, appearance, dimensions, features, and installation of an item as manufactured by Collins Manufacturing Company. Because this drawing does not contain project specific information such as quantities, finishes, or options, it is not an approval drawing and does not require a signature. This drawing remains the property of Collins Manufacturing Company and must not be used against the interests of Collins Manufacturing Company.

Product Information

		Collins Manufacturing 2000 Bowser Road Cookeville, TN 38506	
Name: Kelsey Pedicure with Soaking Basin			
Size: NTS	Part Number: 4438SEDU	Drawn By: Eng	
Prepared Date: 5/26/20	Revision Date: Date	Revision Number: Rev #	Sheet: 2 of 2