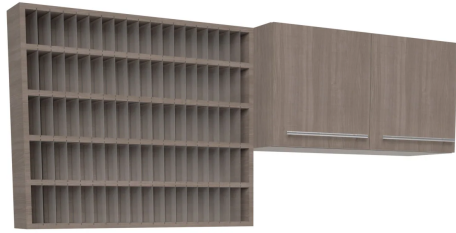




## VEECO COLOR BAR

SKU:2244-72

The Veeco Color Bar provides ample storage space.



### TECHNICAL INFORMATION

---

- 72"W x 25"D x 36"H
- Asymmetrical design
- Color storage
- A stainless steel sink and counter top
- Lower and upper closed storage cabinetry
- Four large storage drawers

### SHIPPING INFORMATION

---

Item generally ships via Freight(Truck) service

- Weight: 600 lbs
- Dimensions: 2 pallets

### WARRANTY

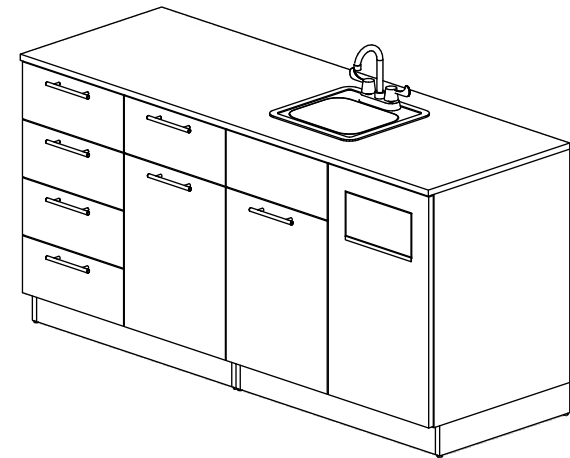
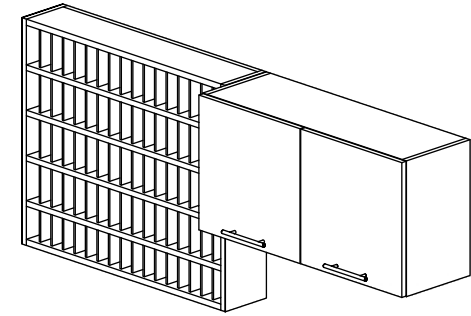
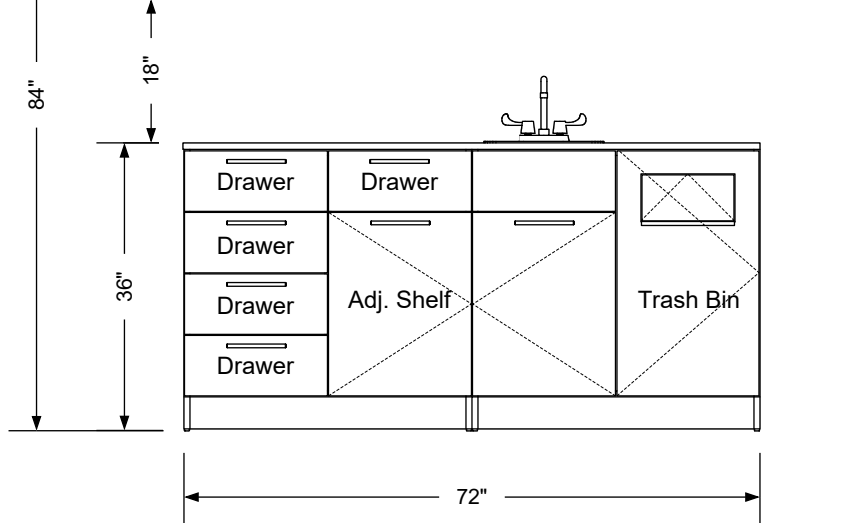
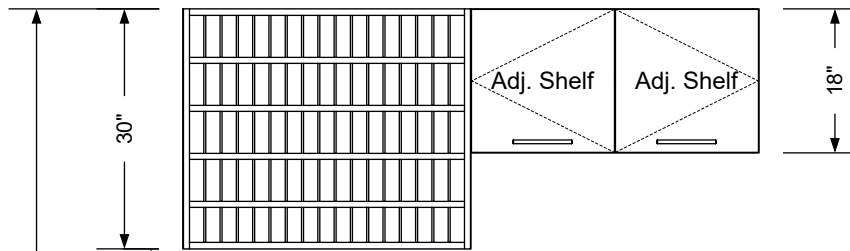
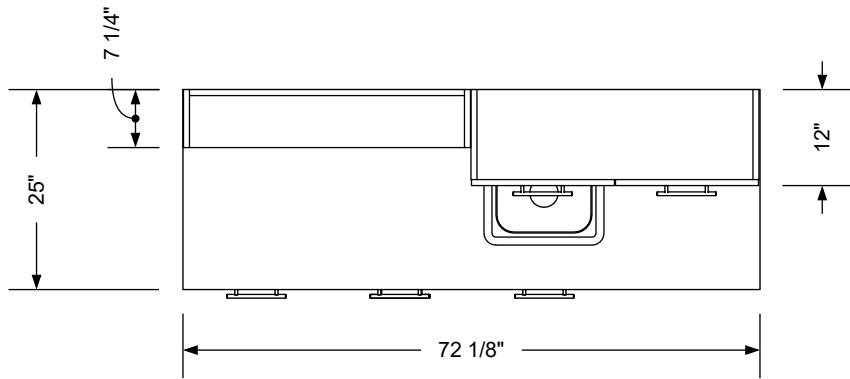
---

#### 3 Years:

- Ball-Bearing Drawer Slides
- Cabinet hinges

#### 1 Year:

- All remaining components, unless noted otherwise, are guaranteed for a period of one year from the date of purchase.




### Additional Information

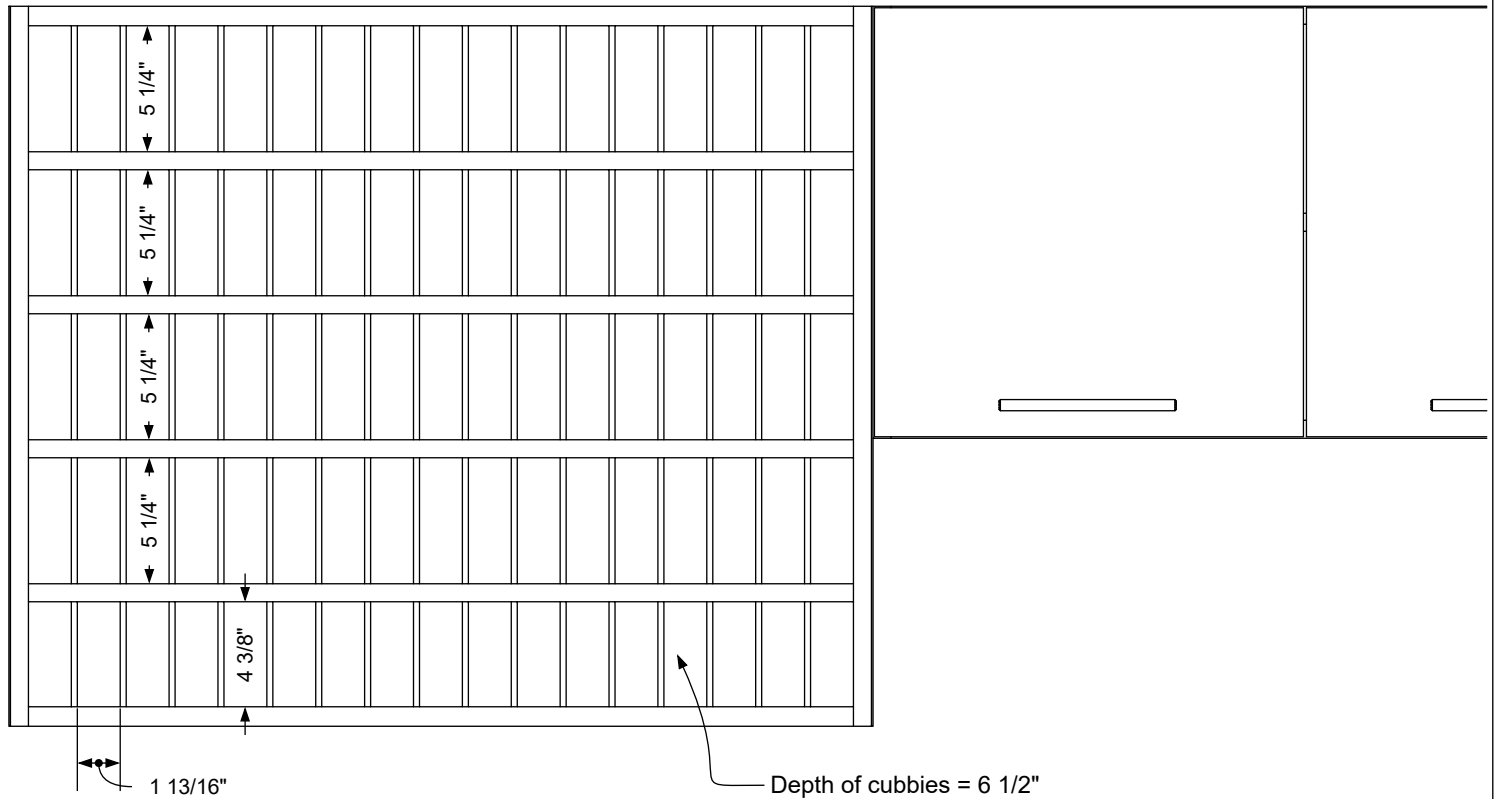
Assembly required - yes  
 Electrical required - no  
 Plumbing required - yes  
 Wall blocking required - yes  
 COM yardage/laminate usage - 98 sf  
 4" h laminated plywood toe + 1/4" h glides  
 Other (specify) - n/a  
 Other (specify) - n/a

### Specification Drawing

This **Specification Drawing** is intended for communicating the basic description, function, appearance, dimensions, features, and installation of an item as manufactured by Collins Manufacturing Company. Because this drawing does not contain project specific information such as quantities, finishes, or options, it is not an approval drawing and does not require a signature. This drawing remains the property of Collins Manufacturing Company and must not be used against the interests of Collins Manufacturing Company.

### Product Information

		Collins Manufacturing 2000 Bowser Road Cookeville, TN 38506	
Name: <b>Veeco Color Bar</b>			
Size: <b>NTS</b>	Part Number: <b>2244-72</b>	Drawn By: <b>Eng</b>	
Prepared Date: <b>7/6/20</b>	Revision Date: <b>Date</b>	Revision Number: <b>Rev #</b>	Sheet: <b>1 of 3</b>



**Cubby details**

**Additional Information**

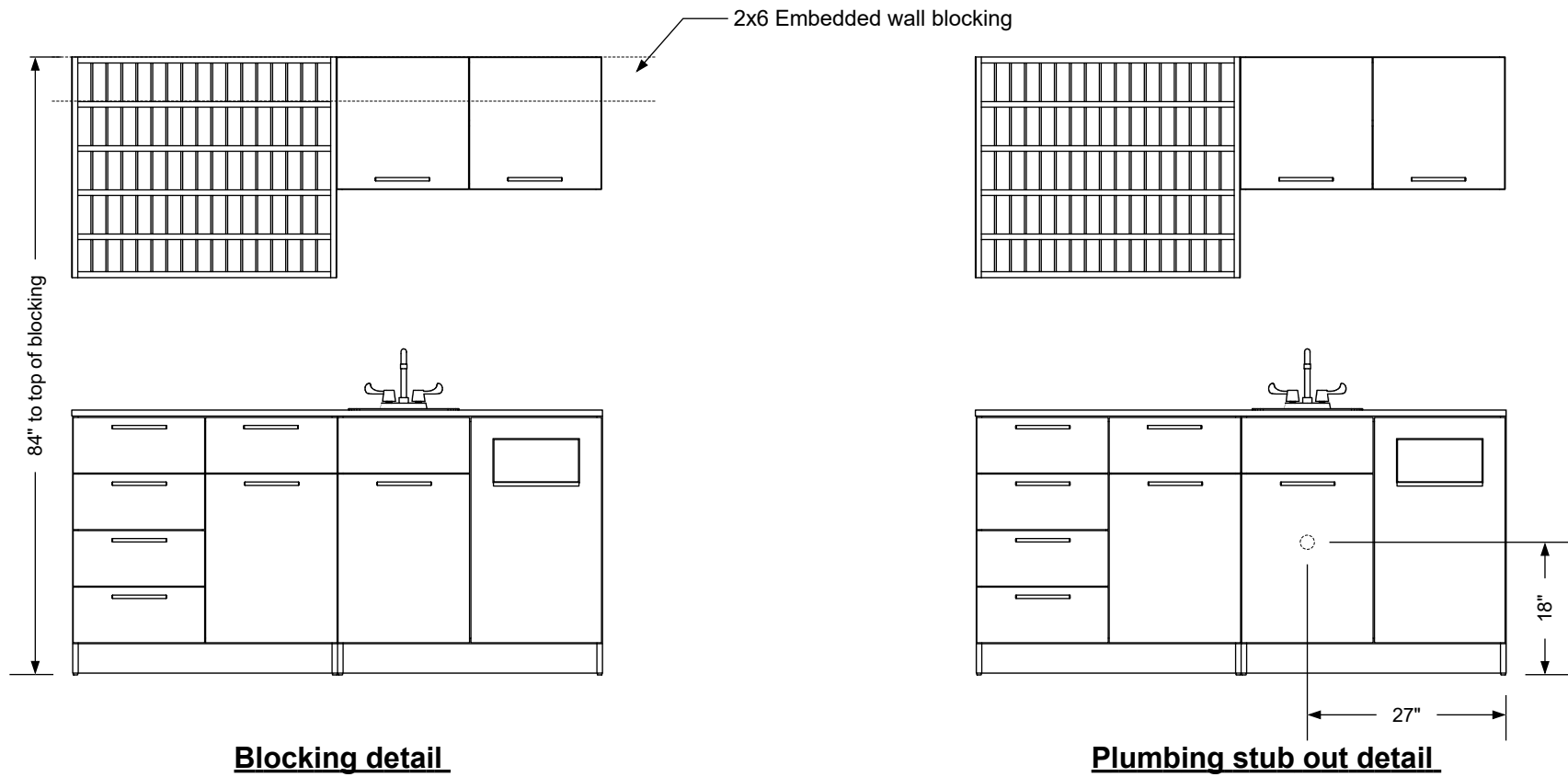
Assembly required - yes  
 Electrical required - no  
 Plumbing required - yes  
 Wall blocking required - yes  
 COM yardage/laminate usage - 98 sf  
 4"h laminated plywood toe + 1/4"h glides  
 Other (specify) - n/a  
 Other (specify) - n/a

**Specification Drawing**

This **Specification Drawing** is intended for communicating the basic description, function, appearance, dimensions, features, and installation of an item as manufactured by Collins Manufacturing Company. Because this drawing does not contain project specific information such as quantities, finishes, or options, it is not an approval drawing and does not require a signature. This drawing remains the property of Collins Manufacturing Company and must not be used against the interests of Collins Manufacturing Company.

**Product Information**

		Collins Manufacturing 2000 Bowser Road Cookeville, TN 38506	
Name: <b>Veeco Color Bar</b>			
Size: <b>NTS</b>	Part Number: <b>2244-72</b>	Drawn By: <b>Eng</b>	
Prepared Date: <b>7/6/20</b>	Revision Date: <b>Date</b>	Revision Number: <b>Rev #</b>	Sheet: <b>2 of 3</b>



**Additional Information**

Assembly required - yes  
 Electrical required - no  
 Plumbing required - yes  
 Wall blocking required - yes  
 COM yardage/laminate usage - 98 sf  
 4" h laminated plywood toe + 1/4" h glides  
 Other (specify) - n/a  
 Other (specify) - n/a

**Specification Drawing**

This **Specification Drawing** is intended for communicating the basic description, function, appearance, dimensions, features, and installation of an item as manufactured by Collins Manufacturing Company. Because this drawing does not contain project specific information such as quantities, finishes, or options, it is not an approval drawing and does not require a signature. This drawing remains the property of Collins Manufacturing Company and must not be used against the interests of Collins Manufacturing Company.

**Product Information**

<b>collins</b>		Collins Manufacturing 2000 Bowser Road Cookeville, TN 38506	
Name: <b>Veeco Color Bar</b>			
Size: <b>NTS</b>	Part Number: <b>2244-72</b>	Drawn By: <b>Eng</b>	
Prepared Date: <b>7/6/20</b>	Revision Date: <b>Date</b>	Revision Number: <b>Rev #</b>	Sheet: <b>3 of 3</b>