



EMPEROR PENINSULA

SKU:2458-36

Our Emperor Peninsula is an impressive work station that doubles for classroom work and application. The stainless steel work surface is easy to clean and stain resistant, while lockable storage cabinets help keep everything in place.

*4 single units shown side-by-side



TECHNICAL INFORMATION

- 36"W x 19"D x 34"H
- Stainless steel work surface
- Lockable storage cabinet with hasp lock mechanism
- Adjustable shelf
- 270 degree hinges on doors
- curling iron holder
- flat iron holder
- blow dryer holder
- Fourplex outlet
- Ordered per student in 36" or 40" lengths

SHIPPING INFORMATION

Item generally ships via Freight(Truck) service

- Weight: 300 lbs
- Dimensions: 48"L x 32"W x 42"H

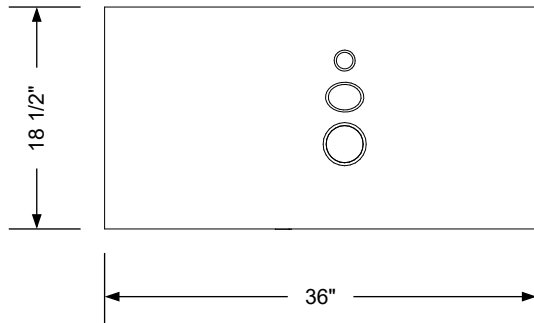
WARRANTY

3 Years:

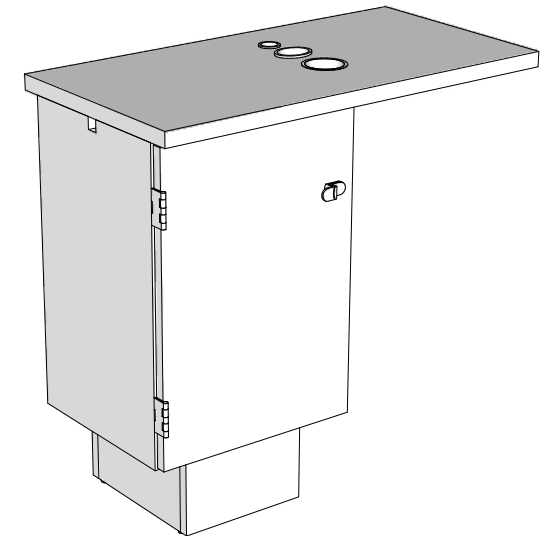
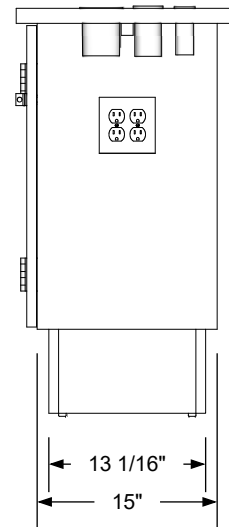
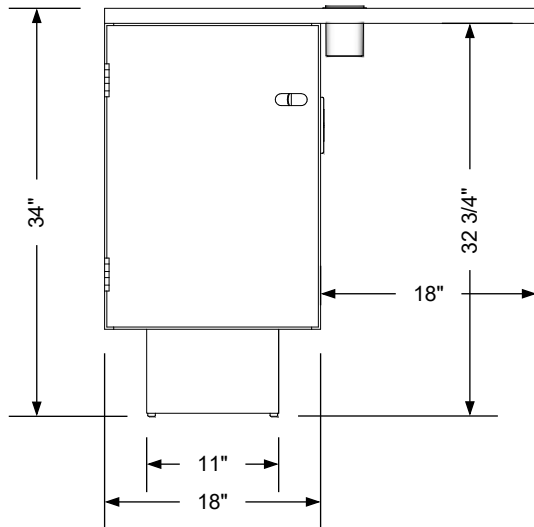
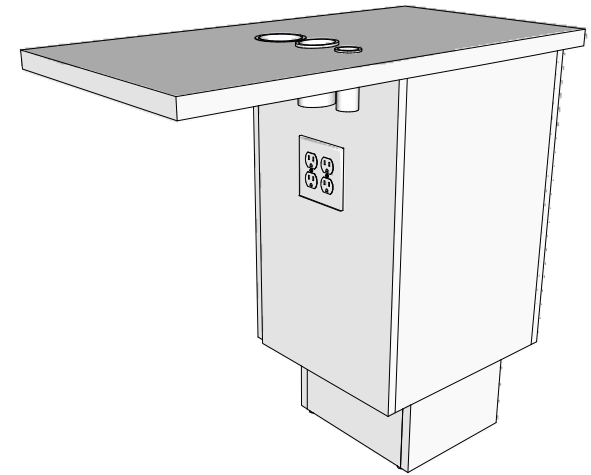
- Ball-Bearing Drawer Slides
- Cabinet hinges

1 Year:

- All remaining components, unless noted otherwise, are guaranteed for a period of one year from the date of purchase.



Note:
 One single unit is shown for dimensions and illustrate what is included in the unit price. In practice, configurations almost always use two stations as a minimum. The configurations may be arranged for multiple students limited only by the student spacing and size of the room. The larger configurations are achieved by using multiple locker cabinets and spanning them with single, double, and triple length countertops. The stations may be left-handed/ left hinged as shown or mirrored to be right-handed/right hinged per following pages.



Additional Information

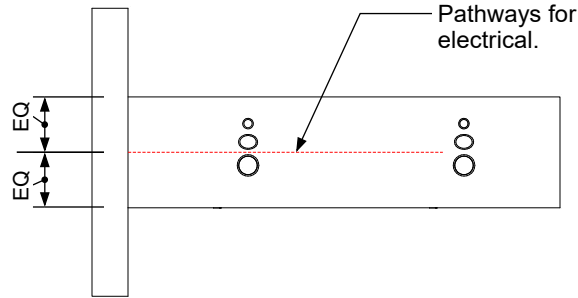
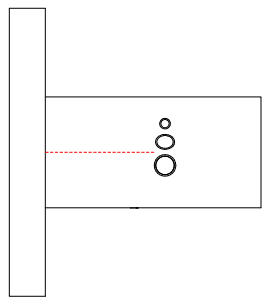
Assembly required - yes
 Electrical required - yes
 Plumbing required - no
 Wall blocking required - no
 COM yardage/laminate usage - 26 sf
 7" h laminated plywood toe + 1/4" h glides
 Other (specify) - n/a
 Other (specify) - n/a

Specification Drawing

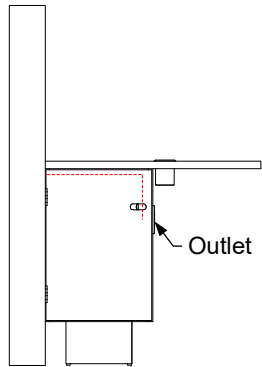
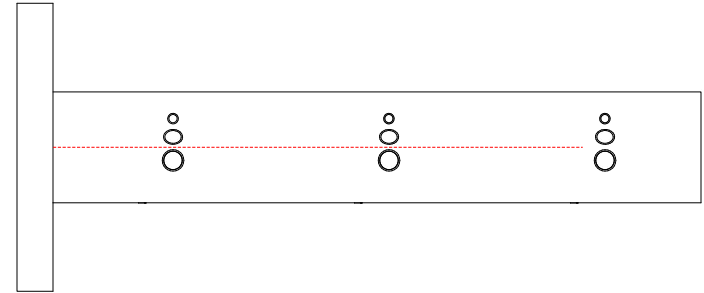
This **Specification Drawing** is intended for communicating the basic description, function, appearance, dimensions, features, and installation of an item as manufactured by Collins Manufacturing Company. Because this drawing does not contain project specific information such as quantities, finishes, or options, it is not an approval drawing and does not require a signature. This drawing remains the property of Collins Manufacturing Company and must not be used against the interests of Collins Manufacturing Company.

Product Information

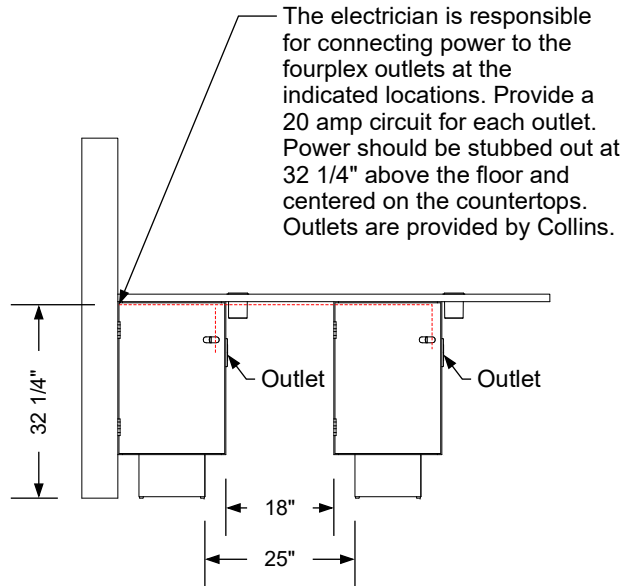
collins		Collins Manufacturing 2000 Bowser Road Cookeville, TN 38506	
Name: Emperor Peninsula - 36			
Size: NTS	Part Number: 2458-36	Drawn By: Eng	
Prepared Date: 6/10/20	Revision Date: Date	Revision Number: Rev #	Sheet: 1 of 3



Pathways for electrical.



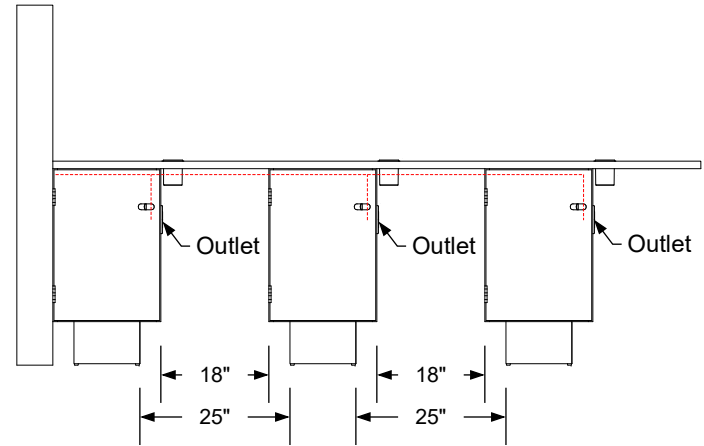
Outlet



The electrician is responsible for connecting power to the fourplex outlets at the indicated locations. Provide a 20 amp circuit for each outlet. Power should be stubbed out at 32 1/4" above the floor and centered on the countertops. Outlets are provided by Collins.

Outlet

Outlet



Outlet

Outlet

Outlet

Left-Handed/Left-Hinged Configurations - Electrical stub out detail


Additional Information

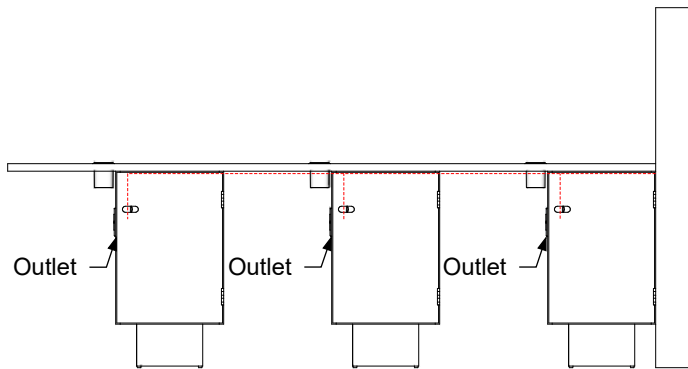
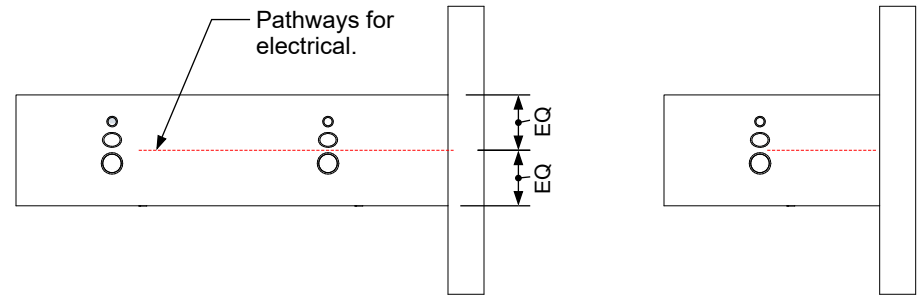
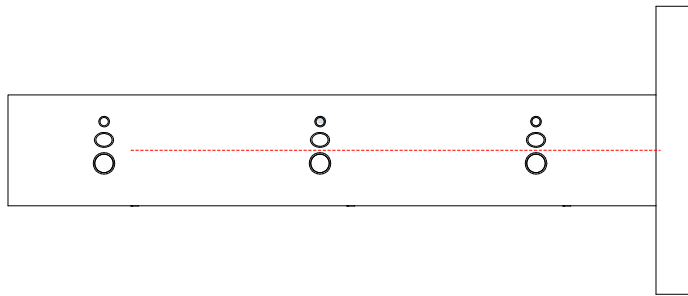
Assembly required - yes
 Electrical required - yes
 Plumbing required - no
 Wall blocking required - no
 COM yardage/laminate usage - 26 sf
 7" h laminated plywood toe + 1/4" h glides
 Other (specify) - n/a
 Other (specify) - n/a

Specification Drawing

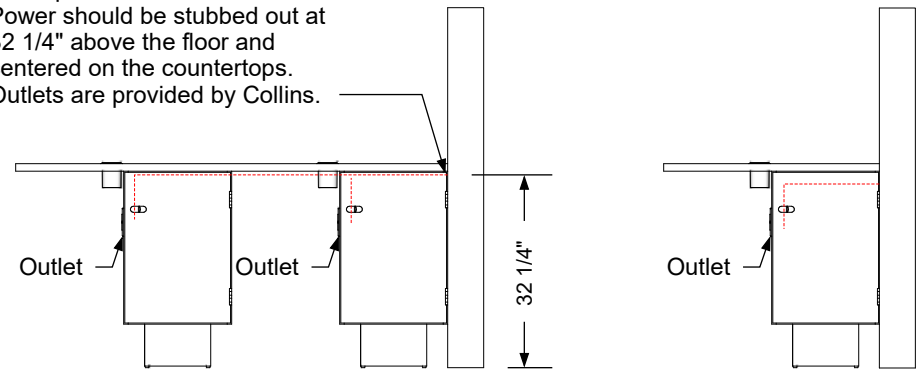
This **Specification Drawing** is intended for communicating the basic description, function, appearance, dimensions, features, and installation of an item as manufactured by Collins Manufacturing Company. Because this drawing does not contain project specific information such as quantities, finishes, or options, it is not an approval drawing and does not require a signature. This drawing remains the property of Collins Manufacturing Company and must not be used against the interests of Collins Manufacturing Company.

Product Information

		Collins Manufacturing 2000 Bowser Road Cookeville, TN 38506	
Name: Emperor Peninsula - 36			
Size: NTS	Part Number: 2458-36	Drawn By: Eng	
Prepared Date: 6/10/20	Revision Date: Date	Revision Number: Rev #	Sheet: 1 of 3



The electrician is responsible for connecting power to the fourplex outlets at the indicated locations. Provide a 20 amp circuit for each outlet. Power should be stubbed out at 32 1/4" above the floor and centered on the countertops. Outlets are provided by Collins.



Right-Handed/Right-Hinged Configurations - Electrical stub out detail

Additional Information

Assembly required - yes
 Electrical required - yes
 Plumbing required - no
 Wall blocking required - no
 COM yardage/laminate usage - 26 sf
 7" h laminated plywood toe + 1/4" h glides
 Other (specify) - n/a
 Other (specify) - n/a

Specification Drawing

This **Specification Drawing** is intended for communicating the basic description, function, appearance, dimensions, features, and installation of an item as manufactured by Collins Manufacturing Company. Because this drawing does not contain project specific information such as quantities, finishes, or options, it is not an approval drawing and does not require a signature. This drawing remains the property of Collins Manufacturing Company and must not be used against the interests of Collins Manufacturing Company.

Product Information

		Collins Manufacturing 2000 Bowser Road Cookeville, TN 38506	
Name: Emperor Peninsula - 36			
Size: NTS	Part Number: 2458-36	Drawn By: Eng	
Prepared Date: 6/10/20	Revision Date: Date	Revision Number: Rev #	Sheet: 1 of 3